

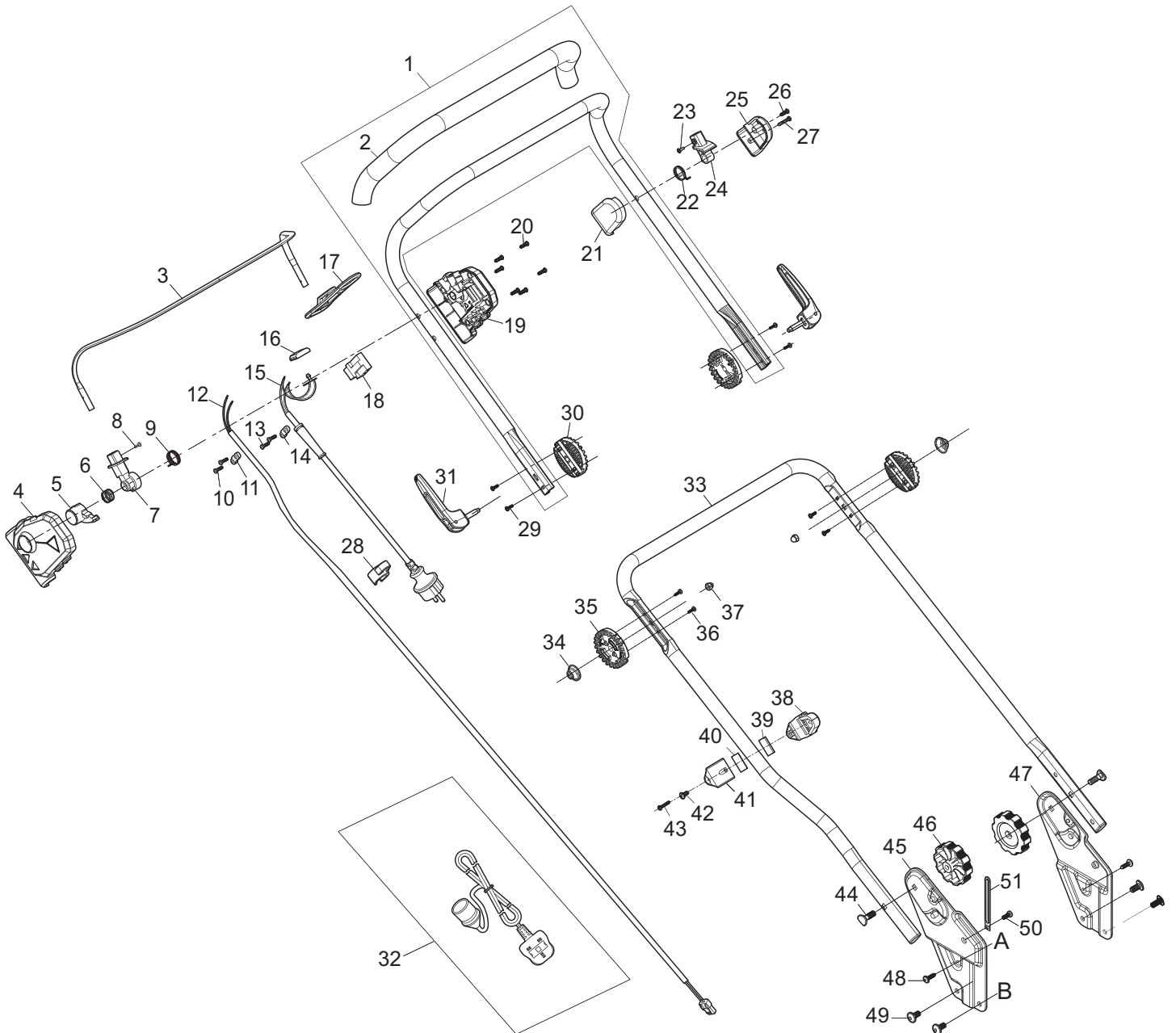


**Ersatzteilliste**  
**Spare Parts List**

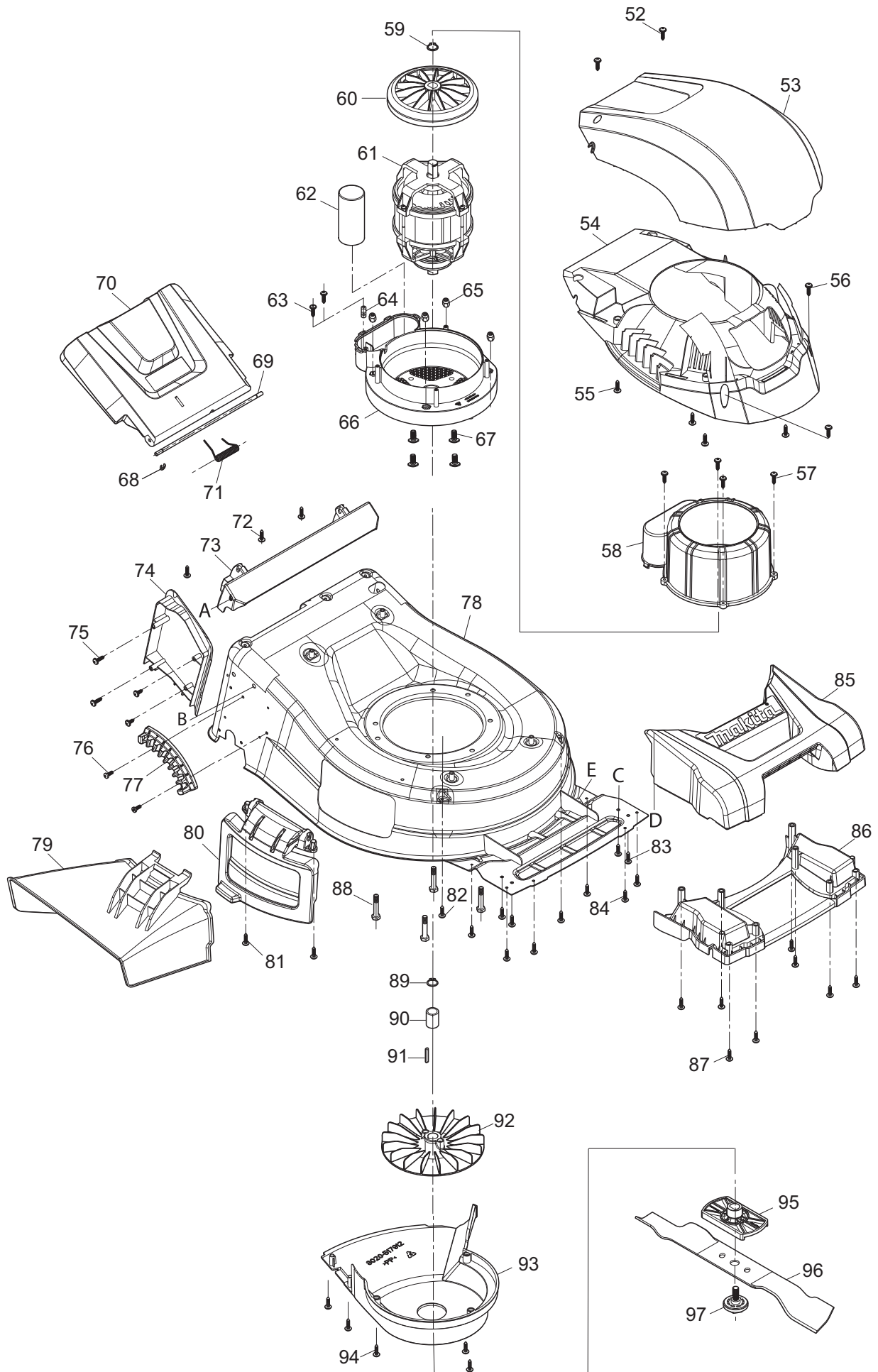
2019-06

**EM462**  
**ELM4620**

ELM4620, EM462 (D, GB)



Seite / Page	Pos.	EM462	ELM4620	Teil-Nr. Part No.	Hinweise Notes	Bezeichnung	Spezifikation Specification	Description
1	1	1	1	YA00001159		OBERHOLM	INC. 2	UPPER HANDLE BAR ASSY
1	2	1	1	YA00001185		SCHAUMSTOFFGRIFF		SPONGE GRIP
1	3	1	1	YA00001160		SCHALTBÜGEL		SWITCH LEVER
1	4	1	1	YA00000765		SCHALTERGEHÄUSE RECHTS		SWITCH BOX, RIGHT
1	5	1	1	YA00000766		SCHALTKNOPF		SWITCH LINK BUTTON
1	6	1	1	YA00000767		DRUCKFEDER	16.8	COMPRESSION SPRING
1	7	1	1	YA00000768		STECKVERBINDUNG RECHTS		SWITCH LEVER END CAP RIGHT
1	8	1	1	652024721		SCHRAUBE	3,5x10	SCREW
1	9	1	1	YA00000769		SPIRALFEDER	21	SWITCH TORSION SPRING
1	10	2	2	YA00000778		BLECHSCHRAUBE	ST4x16	SELF-TAPPING SCREW
1	11	1	1	YA00000780		KABELKLEMME		CORD CLAMP
1	12	1	1	YA00001038		VERBINDUNGSKABEL		POWER SUPPLY CORD ASSY
1	13	2	2	YA00000778		BLECHSCHRAUBE	ST4x16	SELF-TAPPING SCREW
1	14	1	1	YA00000780		KABELKLEMME		CORD CLAMP
1	15	1	1	YA00000773		ANSCHLUSSLEITUNG	Europa	POWER SUPPLY CORD UNIT
1	16	1	1	YA00000781		ANZEIGE		INDICATOR LENS
1	17	1	1	652023811		KABELHALTERUNG		CABLE HANGER
1	18	1	1	YA00000772		SCHALTER		SWITCH
1	19	1	1	YA00000782		SCHALTERGEHÄUSE LINKS		SWITCH BOX, LEFT
1	20	6	6	YA00000778		BLECHSCHRAUBE	ST4x16	SELF-TAPPING SCREW
1	21	1	1	652023795		GRIFFTRÄGER RECHTS		RIGHT HANDLE SUPPORT
1	22	1	1	YA00000737		SPIRALFEDER		TORSION SPRING
1	23	1	1	652024721		SCHRAUBE	3,5x10	SCREW
1	24	1	1	652023794		STECKVERBINDUNG LINKS		SWITCH LEVER END LEFT
1	25	1	1	652023793		GRIFFTRÄGER LINKS		LEFT HANDLE SUPPORT
1	26	1	1	YA00000778		BLECHSCHRAUBE	ST4x16	SELF-TAPPING SCREW
1	27	1	1	YA00000785		BLECHSCHRAUBE	ST4x25	SELF-TAPPING SCREW
1	28	1	1	YA00000921		KABELSCHELLE		CABLE CLIP
1	29	4	4	YA00000960		BLECHSCHRAUBE	ST3x12	SELF-TAPPING SCREW
1	30	2	2	YA00000961		WINKELGELENK OBEN		ANGLE ADJUSTMENT JOINT UPPER
1	31	2	2	YA00000975		VERSTELLGRIFF		TENSION LEVER ASSY
1	33	1	1	YA00001046		UNTERHOLM		LOWER HANDLE BAR
1	34	2	2	YA00000976		DRUCKFEDER KONISCH		CONICAL SPRING
1	35	2	2	YA00000977		WINKELGELENK UNTEN		ANGLE ADJUSTMENT JOINT LOWER
1	36	4	4	YA00000960		BLECHSCHRAUBE	ST3x12	SELF-TAPPING SCREW
1	37	2	2	YA00000802		6 KANT-HUTMUTTER	M6	HEX. FLANGE CAP NUT
1	38	1	1	YA00000970		KABELFÜHRUNG		CABLE GUIDE RING
1	39	1	1	YA00000971		GUMMIPLATTE		RUBBER SHEET
1	40	1	1	YA00000971		GUMMIPLATTE		RUBBER SHEET
1	41	1	1	YA00000972		KABELKLEMME		CABLE GUIDE CLAMP
1	42	1	1	YA00000873		BLECHSCHRAUBE	ST4x12	SELF-TAPPING SCREW
1	43	1	1	YA00000973		BLECHSCHRAUBE	ST3x16	SELF-TAPPING SCREW
1	44	1	1	YA00000983		VIERKANTSCHRAUBE	M8x40	SQUARE NECK BOLT
1	45	1	1	YA00001060		GRIFFANBINDUNG RECHTS		HANDLE BRACKET RIGHT
1	46	2	2	YA00000803		STERNGRIFF	M8	KNOB
1	47	1	1	YA00001063		GRIFFANBINDUNG LINKS		HANDLE BRACKET LEFT
1	48	2	2	YA00000778		BLECHSCHRAUBE	ST4x16	SELF-TAPPING SCREW
1	49	4	4	YA00000995		FLACHRUNDKOPFSCHRAUBE	M8x16	H.S.TRUSS HEAD SCREW
1	50	1	1	YA00000998		FLACHKOPFSCHRAUBE	M6x8	PAN HEAD SCREW
1	51	1	1	YA00000997		KABELKLIPP		CABLE CLAMP

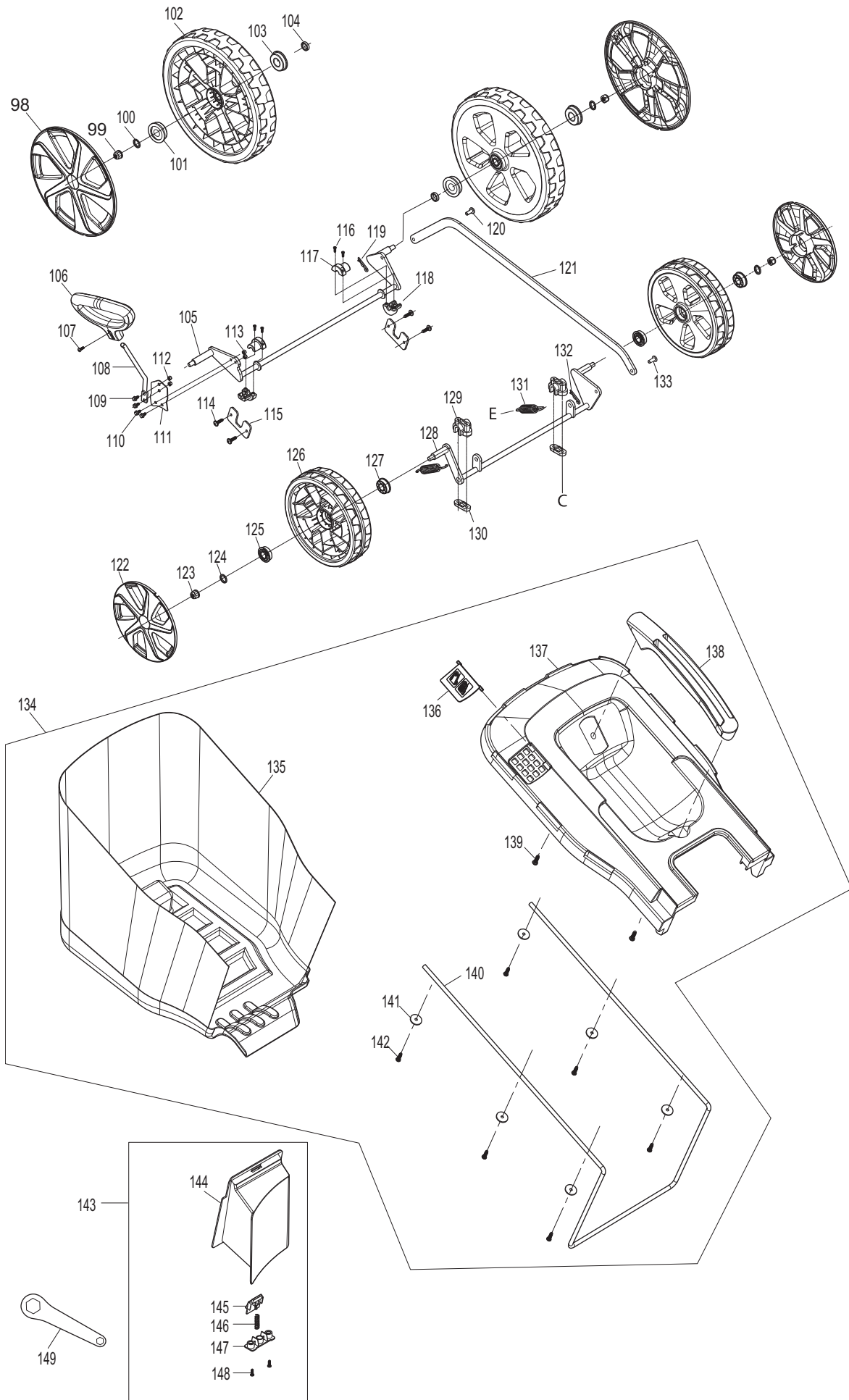


EM462, ELM4620

2

Gehäuse, Motor, Messer  
Housing, motor, blade

Seite / Page	Pos.	EM462	ELM4620	Teil-Nr. Part No.	Hinweise Notes	Bezeichnung	Spezifikation Specification	Description
2	52	2	2	D652023758		BLECHSCHRAUBE	5x16	SELF-TAPPING SCREW
2	53	1		YA00001071		MOTORHAUBE ROT	Red	MOTOR HOOD UPPER RED
2	53		1	YA00001070		MOTORHAUBE BLAU	Blue	MOTOR HOOD UPPER BLUE
2	54	1		YA00001073		MOTORGEHÄUSE		MOTOR HOOD LOWER
2	54		1	YA00001072		MOTORGEHÄUSE		MOTOR HOOD LOWER
2	55	4	4	YA00000820		BLECHSCHRAUBE	ST5x16	SELF-TAPPING SCREW
2	56	2	2	D652023758		BLECHSCHRAUBE	5x16	SELF-TAPPING SCREW
2	57	4	4	YA00000778		BLECHSCHRAUBE	ST4x16	SELF-TAPPING SCREW
2	58	1	1	YA00001140		MOTORABDECKUNG		MOTOR HOUSING UPPER
2	59	1	1	YA00001096		SICHERUNGSRING	S-17	RETAINING RING
2	60	1	1	YA00001097		LÜFTERRAD		FAN
2	61	1	1	YA00001074		MOTOR KPL.	230V 1800W	MOTOR ASSY
2	62	1	1	YA00001099		KONDENSATOR	25µF 500V	CAPACITOR
2	63	2	2	YA00000778		BLECHSCHRAUBE	ST4x16	SELF-TAPPING SCREW
2	64	1	1	652023752		KABELKLEMME		CABLE PRESSBOARD
2	65	4	4	652023843		SICHERUNGSMUTTER	M8	SELF-LOCKING NUT
2	66	1	1	YA00001075		MOTORTRÄGER		MOTOR HOUSING LOWER
2	67	4	4	YA00000995		FLACHRUNDKOPFSCHRAUBE	M8x16	H.S.TRUSS HEAD SCREW
2	68	1	1	YA00000990		SICHERUNGSRING	E-5	STOP RING
2	69	1	1	YA00001057		SCHARNIERSTIFT		REAR FLAP HINGE ROD
2	70	1		YA00001059		HECKKLAPPE ROT	Red	REAR FLAP
2	70		1	YA00001058		HECKKLAPPE BLAU	Blue	REAR FLAP
2	71	1	1	YA00000994		SPIRALFEDER	7.7	REAR FLAP TORSION SPRING
2	72	3	3	YA00000778		BLECHSCHRAUBE	ST4x16	SELF-TAPPING SCREW
2	73	1		YA00001062		TRÄGER F. SCHARNIERSTIFT ROT	Red	REAR FLAP HINGE BASE RED
2	73		1	YA00001061		TRÄGER F. SCHARNIERSTIFT BLAU	Blue	REAR FLAP HINGE BASE BLUE
2	74	1	1	YA00001089		GRASFÜHRUNGSPLATTE		GRASS OUTLET SLOPE BOARD
2	75	4	4	YA00000778		BLECHSCHRAUBE	ST4x16	SELF-TAPPING SCREW
2	76	2	2	D652023758		BLECHSCHRAUBE	5x16	SELF-TAPPING SCREW
2	77	1	1	YA00001064		SEKTOR F. HÖHENVERSTELLUNG		HEIGHT ADJUSTER STOP PLATE
2	78	1	1	YA00001065		DECK		DECK
2	79	1	1	YA00001090		SCHUTZHAUBE SEITENAUSWURF		SIDE DISCHARGE OUTLET
2	80	1	1	YA00001092		MULCHABDECKUNG		SIDE DISCHARGE FLAP ASSY
2	81	2	2	YA00001091		BLECHSCHRAUBE	ST5x12	SELF-TAPPING SCREW
2	82	2	2	YA00001031		BLECHSCHRAUBE	ST4x10	SELF-TAPPING SCREW
2	83	4	4	YA00001024		BLECHSCHRAUBE	ST5x20	SELF-TAPPING SCREW
2	84	6	6	YA00000820		BLECHSCHRAUBE	ST5x16	SELF-TAPPING SCREW
2	85	1		YA00001078		FRONTTEIL ROT	Red	FRONT HOOD
2	85		1	YA00001079		FRONTTEIL BLAU	Blue	FRONT HOOD BLUE
2	86	1	1	YA00001080		ABDECKUNG		FRONT AXLE COVER
2	87	8	8	YA00000778		BLECHSCHRAUBE	ST4x16	SELF-TAPPING SCREW
2	88	4	4	YA00001076		6 KANT-SCHRAUBE	M8x35	HEX. BOLT
2	89	1	1	YA00001096		SICHERUNGSRING	S-17	RETAINING RING
2	90	1	1	YA00001093		DISTANZRING	HL	SPACER RING
2	91	1	1	YA00001098		PASSFEDER		FLAT KEY
2	92	1	1	YA00001094		LÜFTERRAD		FAN LOWER SIDE
2	93	1	1	YA00001095		ABDECKUNG UNTEN		UNDER COVER
2	94	5	5	YA00000778		BLECHSCHRAUBE	ST4x16	SELF-TAPPING SCREW
2	95	1	1	YA00001066		MESSERHALTER		BLADE SUPPORT
2	96	1	1	YA00000741		SICHELMESSER	46cm	BLADE
2	97	1	1	YA00001067		MESSERSCHRAUBE	M10x30	BLADE BOLT



Seite / Page	Pos.	EM462	ELM4620	Teil-Nr. Part No.	Hinweise Notes	Bezeichnung	Spezifikation Specification	Description
3	98	2	2	YA00001049		RADKAPPE	9,5"	WHEEL CAP
3	99	2	2	652023843		SICHERUNGSMUTTER	M8	SELF-LOCKING NUT
3	100	2	2	YA00000420		SCHEIBE		WASHER
3	101	2	2	YA00001186		KUGELLAGER	1/2"	FLANGED WHEEL BEARING
3	102	2	2	YA00001050		RAD	11"	WHEEL ASSY
3	103	2	2	YA00001186		KUGELLAGER	1/2"	FLANGED WHEEL BEARING
3	104	2	2	YA00001088		RAD-INNENABDECKUNG		WHEEL COVER INSIDE
3	105	1	1	YA00001052		HINTERACHSE		REAR AXLE
3	106	1	1	YA00000989		GRIFF F. HÖHENVERSTELLUNG		HIGHT ADJUST GRIP
3	107	1	1	YA00000988		FLACHKOPFSCHRAUBE	M4x12	PAN HEAD SCREW
3	108	1	1	YA00001053		HEBEL F. HÖHENVERSTELLUNG		HIGHT ADJUST LEVER
3	109	2	2	YA00000407		6 KANT-SCHRAUBE M. BUND	M5x16	HEX. FLANGE BOLT
3	110	2	2	YA00000407		6 KANT-SCHRAUBE M. BUND	M5x16	HEX. FLANGE BOLT
3	111	1	1	YA00000986		PLATTE		HEIGHT ADJUST PLATE
3	112	2	2	YA00000393		MUTTER	M5	NUT
3	113	2	2	YA00000393		MUTTER	M5	NUT
3	114	4	4	YA00001086		FLACHKOPFSCHRAUBE	M5x12	PAN HEAD SCREW
3	115	2	2	YA00001087		FIXIERBLECH		REAR AXLE RETAINER
3	116	4	4	YA00001054		BLECHSCHRAUBE	ST3x14	SELF-TAPPING SCREW
3	117	2	2	YA00001055		LAGERGEHÄUSE	A	REAR AXLE MOUNT
3	118	2	2	YA00001056		LAGERGEHÄUSE	B	REAR AXLE MOUNT
3	119	1	1	YA00000851		FEDERSTECKER	7	R-PIN
3	120	1	1	YA00001018		STIFT	7	PIN
3	121	1	1	YA00001077		VERBINDUNGSSTANGE		CONNECTING ROD
3	122	2	2	YA00001081		RADKAPPE	7"	WHEEL CAP
3	123	2	2	652023843		SICHERUNGSMUTTER	M8	SELF-LOCKING NUT
3	124	2	2	YA00000420		SCHEIBE		WASHER
3	125	2	2	YA00001100		NYLONHÜLSE		NYLON SLEEVE
3	126	2	2	YA00001082		RAD	8"	WHEEL
3	127	2	2	YA00001100		NYLONHÜLSE		NYLON SLEEVE
3	128	1	1	YA00001085		VORDERACHSE		FRONT AXLE
3	129	2	2	YA00001083		LAGERSCHALE		FRONT AXLE MOUNT UPPER
3	130	2	2	YA00001025		FIXIERUNG		FRONT AXLE MOUNT LOWER
3	131	2	2	YA00001084		SPIRALFEDER		HEIGHT ADJUST ASSIST SPRING
3	132	1	1	YA00000851		FEDERSTECKER	7	R-PIN
3	133	1	1	YA00001018		STIFT	7	PIN
3	134	1		YA00001040		GRASFANGKORB KPL.	60L DOLMAR INC. 135-142	GRASS BOX ASSY
3	134		1	YA00001039		GRASFANGKORB KPL.	60L Makita INC. 135-142	GRASS BOX ASSY
3	135	1		YA00001042		GRASFANGKORB	DOLMAR	GRASS CATCH SIDE CLOSS SET DOL
3	135		1	YA00001041		GRASFANGKORB	Makita	GRASS CATCH SIDE CLOSS SET MAK
3	136	1		YA00000792		FÜLLSTANDSANZEIGER ROT	Red	GRASS CATCHER INDICATOR RED
3	136	1		YA00000791		FÜLLSTANDSANZEIGER BLAU	Blue	GRASS CATCHER INDICATOR BLUE
3	137	1	1	YA00001043		HECKKLAPPE		GRASS CATCHER UPPER BOARD
3	138	1	1	YA00000795		GRIFF		GRIP
3	139	2	2	YA00000778		BLECHSCHRAUBE	ST4x16	SELF-TAPPING SCREW
3	140	1	1	YA00001044		RAHMEN		GRASS CATCHER FRAME
3	141	6	6	YA00000796		SCHEIBE	4	WASHER
3	142	6	6	YA00000778		BLECHSCHRAUBE	ST4x16	SELF-TAPPING SCREW
3	143	1	1	YA00001047		MULCHKEIL KPL.	INC. 144-148	MULCH PLUG ASSY
3	144	1	1	YA00001048		MULCHKEIL		MULCH PLUG
3	145	1	1	YA00000980		VERSCHLUSS		LATCH HANDLE
3	146	1	1	YA00000981		DRUCKFEDER		COMPRESSION SPRING
3	147	1	1	YA00000982		FEDERAUFNAHME		SPRING RETAINER
3	148	2	2	YA00000778		BLECHSCHRAUBE	ST4x16	SELF-TAPPING SCREW
3	149	1	1	YA00001045		RINGSCHLÜSSEL	SW10-27	SPANNER

EM462, ELM4620



- 1** Führungsholm  
Handle
- 2** Gehäuse, Motor, Messer  
Housing, motor, blade
- 3** Grasfangkorb, Räder  
Grass catcher, wheels

	<b>Zeichenerklärung</b>	<b>Key to symbols</b>
<b>=&gt; 1999999</b> <b>2000000 =&gt;</b> <b>2003.04 =&gt;</b> <b>TI 2003/07</b> <b>Acc.</b> <b>=</b> <b>{</b> <b>m</b> <b>Corr.</b>	Produktion bis Serien-Nr. Neues Teil ab Serien-Nr. Neues Teil ab Jahr / Monat Siehe Technische Information Jahr / Nr. Zubehör (nicht im Lieferumfang) Keine Serienausführung, jedoch verwendbar Beinhaltet Positions-Nr. Meterware Druckfehlerberichtigung	Production to serial number New part from serial number New part from Year / Month See Technical Information Year / No. Accessories (not included in the delivery inventory) No standard execution, may be used Contains item number Sold by the meter Error correction
	Änderungen vorbehalten	Specifications subject to change without notice