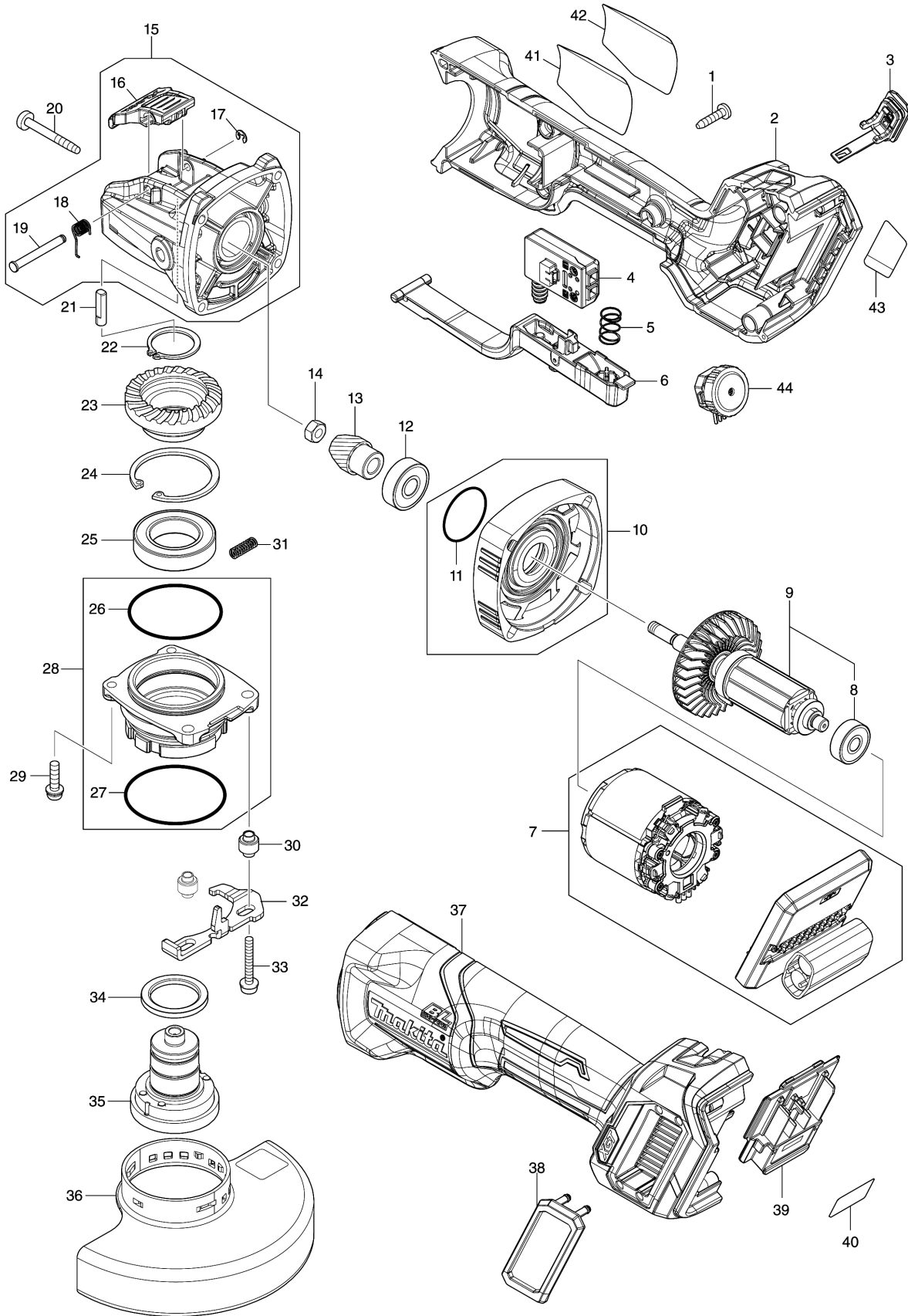


Model No.GA044G 125MM CORDLESS ANGLE GRINDER



Model No.GA044G 125MM CORDLESS ANGLE GRINDER

| Position | Artikel-Nr. | Beschreibung                | I/C | Stk. | New/Old | Opt. 1 | Opt. 2 | Hinweis |
|----------|-------------|-----------------------------|-----|------|---------|--------|--------|---------|
| 001      | 266326-2    | Schneidschraube 4x18        |     | 5    |         |        |        |         |
| 002      | 183W45-2    | Motorgehäuse-Set            |     | 1    |         |        |        |         |
| C10      | 263005-3    | Gummistift 6                |     | 2    |         |        |        |         |
| C20      | 8005T5-8    | Aufkleber XGT-Logo          |     | 1    |         |        |        |         |
| D10      |             | INC. 37                     |     |      |         |        |        |         |
| 003      | 140G30-2    | Anzeige Funkverbindung kpl. |     | 1    |         |        |        |         |
| C10      | 213A05-9    | O-Ring 16                   |     | 1    |         |        |        |         |
| C20      | 818H48-4    | Schild Funkverbindung       |     | 1    |         |        |        |         |
| 004      | 651083-9    | Schalter C3XA-1PSPM         |     | 1    |         |        |        |         |
| 005      | 233263-5    | Druckfeder 9                |     | 1    |         |        |        |         |
| 006      | 140T33-4    | Schalthebel                 |     | 1    |         |        |        |         |
| 007      | 629A00-3    | STATOR COMPLETE             |     | 1    |         |        |        |         |
| 008      | 210023-2    | Rillenkugellager 627DDW     |     | 1    |         |        |        |         |
| 009      | 519762-4    | Anker kpl.                  |     | 1    |         |        |        |         |
| D10      |             | INC. 8                      |     |      |         |        |        |         |
| 010      | 136190-4    | Getriebegehäusedeckel kpl.  |     | 1    |         |        |        |         |
| D10      |             | INC. 11                     |     |      |         |        |        |         |
| 011      | 213445-5    | O-Ring 26                   |     | 1    |         |        |        |         |
| 012      | 210042-8    | Rillenkugellager 629LLB     |     | 1    |         |        |        |         |
| 013      | 226950-3    | Kegelrad 10                 |     | 1    |         |        |        |         |
| 014      | 252186-8    | Sechskantmutter M6          |     | 1    |         |        |        |         |
| 015      | 136715-4    | Getriebegehäuse kpl.        |     | 1    |         |        |        |         |
| D10      |             | INC. 16-19                  |     |      |         |        |        |         |
| 016      | 459967-3    | Entriegelungshebel          |     | 1    |         |        |        |         |
| 017      | 961017-7    | Sicherungsscheibe E-3       |     | 1    |         |        |        |         |
| 018      | 232576-1    | Spiralfeder 5               |     | 1    |         |        |        |         |
| 019      | 256935-5    | Stift 4                     |     | 1    |         |        |        |         |
| 020      | 266048-4    | Blechschraube 4x40          |     | 4    |         |        |        |         |
| 021      | 327460-4    | Achse                       |     | 1    |         |        |        |         |
| 022      | 961104-2    | Sicherungsring S-24         |     | 1    |         |        |        |         |
| 023      | 226951-1    | Tellerrad 37                |     | 1    |         |        |        |         |
| 024      | 962201-7    | Sicherungsring R-42         |     | 1    |         |        |        |         |
| 025      | 210208-0    | Rillenkugellager 6905DDW    |     | 1    |         |        |        |         |
| 026      | 213622-9    | O-Ring 45                   |     | 1    |         |        |        |         |
| 027      | 213783-5    | O-Ring 48                   |     | 1    |         |        |        |         |
| 028      | 136716-2    | Lagergehäuse kpl.           |     | 1    |         |        |        |         |
| D10      |             | INC. 26,27                  |     |      |         |        |        |         |
| 029      | 911138-5    | Kombi-Schraube M4x20        |     | 2    |         |        |        |         |
| 030      | 327322-6    | Hülse 4                     |     | 2    |         |        |        |         |
| 031      | 232490-1    | Druckfeder 4                |     | 1    |         |        |        |         |
| 032      | 347A22-8    | Sperrhebel                  |     | 1    |         |        |        |         |
| 033      | 911159-7    | Kombi-Schraube M4x30        |     | 2    |         |        |        |         |

Model No.GA044G 125MM CORDLESS ANGLE GRINDER

| Position | Artikel-Nr. | Beschreibung                   | I/C | Stk. | New/Old | Opt. 1 | Opt. 2 | Hinweis |
|----------|-------------|--------------------------------|-----|------|---------|--------|--------|---------|
| 034      | 327459-9    | Ring 25                        |     | 1    |         |        |        |         |
| 035      | 127428-8    | Spindel                        |     | 1    |         |        |        |         |
| 036      | 141L27-4    | Schutzhaube 125mm T            |     | 1    |         |        |        |         |
| C10      | 8050A1-8    | Warnhinweisschild              |     | 1    |         |        |        |         |
| 037      | 183W45-2    | Motorgehäuse-Set               |     | 1    |         |        |        |         |
| C10      | 263005-3    | Gummistift 6                   |     | 2    |         |        |        |         |
| C20      | 8005T5-8    | Aufkleber XGT-Logo             |     | 1    |         |        |        |         |
| D10      |             | INC. 2                         |     |      |         |        |        |         |
| 038      | 422610-7    | Staubschutzabdeckung           |     | 1    |         |        |        |         |
| 039      | 632P65-6    | Kontaktplatte                  |     | 1    |         |        |        |         |
| 040      | 858G49-4    | GA044G SERIAL NO. LABEL        |     | 1    |         |        |        |         |
| 041      | 858G46-0    | GA044G NAME PLATE              |     | 1    |         |        |        |         |
| 042      | 8008U5-3    | Schutzfolie                    |     | 1    |         |        |        |         |
| 043      | 8015J1-9    | Hinweisschild                  |     | 1    |         |        |        |         |
| 044      | 620D30-5    | Potentiometer                  |     | 1    |         |        |        |         |
| A01      | 199710-5    | Schutzhaubenabd. 125mm trennen |     | 1    |         |        |        |         |
| A02      | 158237-4    | Seitengriff 36 kpl.            |     | 1    |         |        |        |         |
| A03      | E-00402     | Schruppscheibe 125x6mm INOX    |     | 1    |         |        |        |         |
| A04B     | 8054S5-0    | GA044GD201 INDICATION LABEL    |     | 1    |         |        |        |         |
| A05B     | 8054V7-7    | GA044GD201 PLASTIC CASE LABEL  |     | 2    |         |        |        |         |
| A06B     | 821552-6    | MAKPAC Gr.4                    |     | 1    |         |        |        |         |
| C10      | 453974-8    | Kofferverschluss MAKPAC        |     | 4    |         |        |        |         |
| A07B     | 835E79-0    | Tiefziehteil f. MAKPAC         |     | 1    |         |        |        |         |
| A08B     | ***DC40RA   | DC40RA FAST CHARGER            |     | 1    |         |        |        |         |
| D10      |             | COMPO-PARTS                    |     |      |         |        |        |         |
| A09B     | 191B36-3    | Akku-BL4025 Li 40V 2.5Ah       |     | 2    |         |        |        |         |
| A10B     | 412393-7    | Kontaktschutzkappe             |     | 2    |         |        |        |         |

Please order the parts with part number.

Print Date 25/5/2022