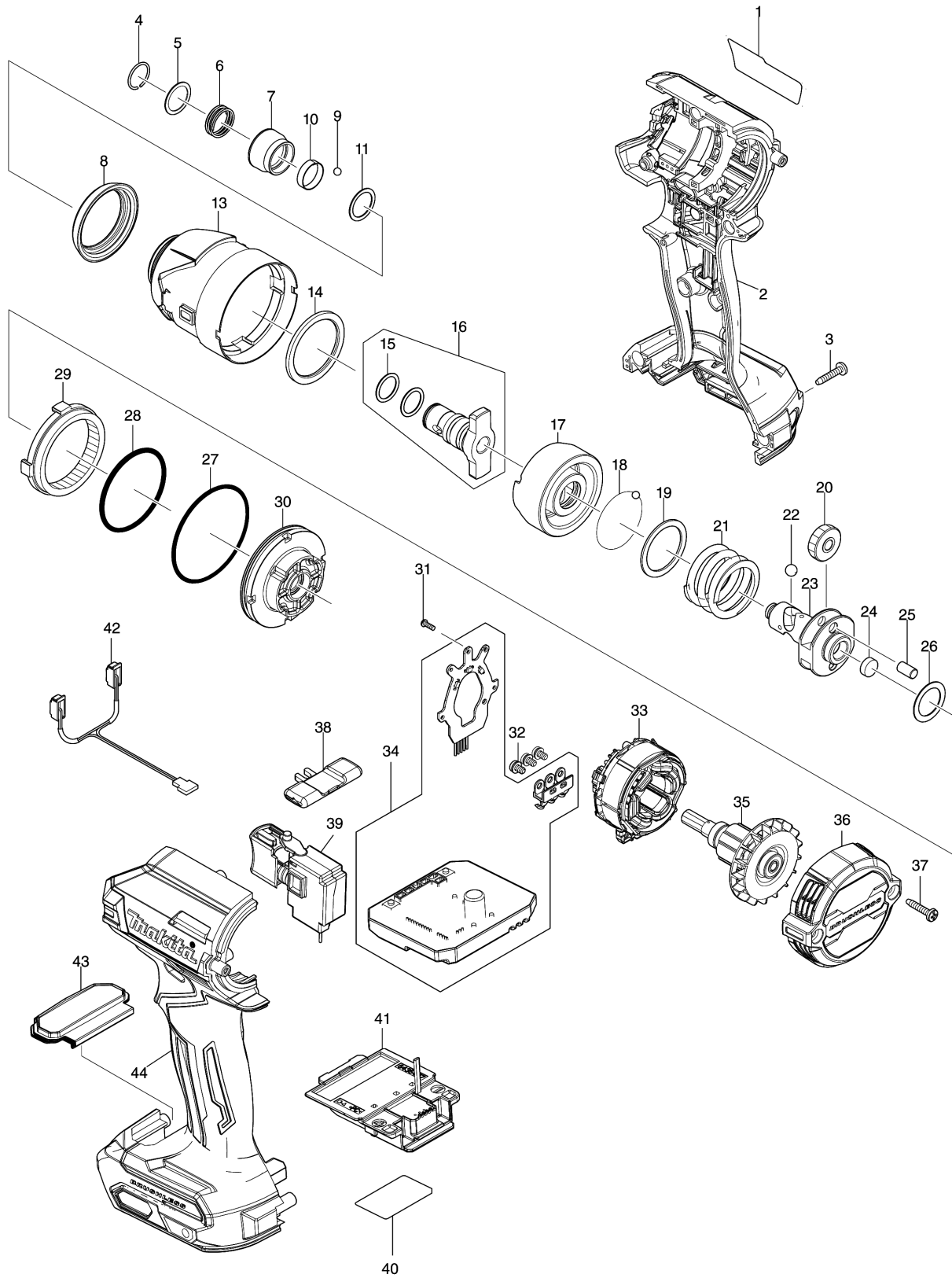


Model No.TD003G CORDLESS IMPACT DRIVER



Model No.TD003G CORDLESS IMPACT DRIVER

Position	Artikel-Nr.	Beschreibung	I/C	Stk.	New/Old	Opt. 1	Opt. 2	Hinweis
001	8586R3-8	TD003G NAME PLATE		1				
002	183X95-3	HOUSING SET		1				
C10	263005-3	RUBBER PIN 6		2				
C20	252126-6	HEX. LOCK NUT M4-7		2				
C30	8007R2-2	XGT LOGO LABEL		1				
D10		INC. 44						
003	266429-2	TAPPING SCREW 3X16		8				
004	231952-6	RING SPRING 12		1				
005	253575-0	FLAT WASHER 13		1				
006	232592-3	COMPRESSION SPRING 14		1				
007	327B23-8	BIT SLEEVE		1				
008	422A03-4	BUMPER		1				
009	216040-0	STEEL BALL 3.5		2				
010	232800-2	LEAF SPRING		1				
011	253575-0	FLAT WASHER 13		1				
013	141M85-6	HAMMER CASE COMPLETE		1				
014	261160-5	NYLON WASHER 30		1				
015	213166-9	O RING 12.5		2				
016	136913-0	ANVIL M ASS'Y		1				
D10		INC. 15						
017	327B60-2	HAMMER		1				
018	216040-0	STEEL BALL 3.5		24				
019	267175-0	FLAT WASHER 24		1				
020	227362-3	SPUR GEAR 22		2				
021	232789-4	COMPRESSION SPRING 24		1				
022	216011-7	STEEL BALL 5.6		2				
023	327C18-7	SPINDLE		1				
024	422994-3	FELT		1				
025	256253-1	PIN 5		2				
026	267194-6	FLAT WASHER 15		1				
027	213606-7	O RING 48		1				
028	213507-9	O RING 40		1				
029	227A92-2	INTERNAL GEAR 51		1				
030	141M87-2	BEARING BOX COMPLETE		1				
031	266490-9	TAPPING SCREW PT 2X6		3				
032	652069-6	FLAT HEAD SCREW M3X6		3				
033	629C08-9	STATOR		1				
034	620L00-2	CONTROLLER		1				
035	619808-7	ROTOR		1				
036	413L86-1	REAR COVER		1				
037	266429-2	TAPPING SCREW 3X16		2				
038	455053-8	F/R CHANGE LEVER		1				

Please order the parts with part number.

Print Date 12/12/2022

Model No.TD003G CORDLESS IMPACT DRIVER

Position	Artikel-Nr.	Beschreibung	I/C	Stk.	New/Old	Opt. 1	Opt. 2	Hinweis
039	651442-7	SWITCH C3JR-1A-1		1				
040	8586S0-1	TD003G SERIAL NO. LABEL		1				
041	632P49-4	TERMINAL UNIT		1				
042	620B97-1	LED CIRCUIT		1				
043	141M86-4	SWITCH PLATE COMPLETE		1				
044	183X95-3	HOUSING SET		1				
C10	263005-3	RUBBER PIN 6		2				
C20	252126-6	HEX. LOCK NUT M4-7		2				
C30	8007R2-2	XGT LOGO LABEL		1				
D10		INC. 2						
A01	266622-8	+ TRUSS HEAD SCREW M4X12		1				
A02	346317-0	HOOK		1				
A03	784044-5	+BIT2-50		1				
A04B	821550-0	CONNECTOR PLASTIC CASE (TYPE2)		1				
C10	453974-8	LATCH		4				
A05B	8065U1-1	TD003GA201 PLASTIC CASE LABEL		2				
A06B	8065U2-9	TD003GA201 INDICATION LABEL		1				
A07B	835F94-0	INNER TRAY		1				
A08B	412393-7	BATTERY COVER		1				
A09B	***DC40RC	DC40RC FAST CHARGER		1				
D10		COMPO-PARTS						
A10B	191L29-0	BATTERY BL4020 SET		2				

Please order the parts with part number.

Print Date 12/12/2022