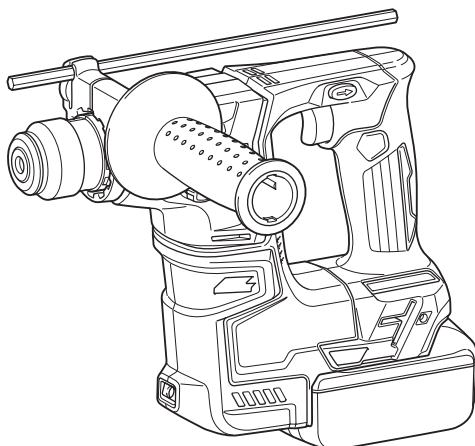




EN	Cordless Rotary Hammer	INSTRUCTION MANUAL	6
FR	Perforateur Sans Fil	MANUEL D'INSTRUCTIONS	12
DE	Akku-Bohrhammer	BETRIEBSANLEITUNG	18
IT	Martello rotativo a batteria	ISTRUZIONI PER L'USO	25
NL	Accuboorthamer	GEBRUIKSAANWIJZING	32
ES	Martillo Rotativo Inalámbrico	MANUAL DE INSTRUCCIONES	39
PT	Martelete Rotativo a Bateria	MANUAL DE INSTRUÇÕES	46
DA	Akku-borehammer	BRUGSANVISNING	53
EL	Φορητό σφυροτύπανο	ΕΓΧΕΙΡΙΔΙΟ ΟΔΗΓΙΩΝ	59
TR	Akülü Kırıcı Delici	KULLANMA KILAVUZU	66

DHR171



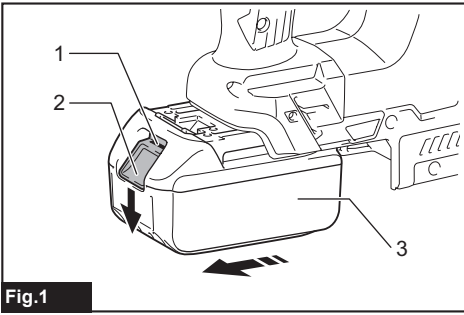


Fig.1

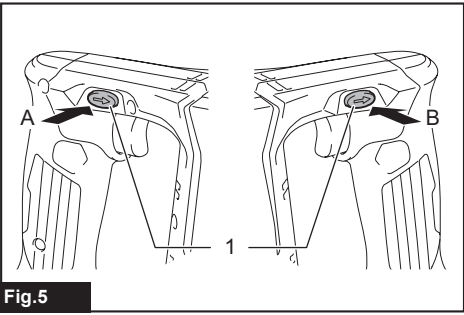


Fig.5

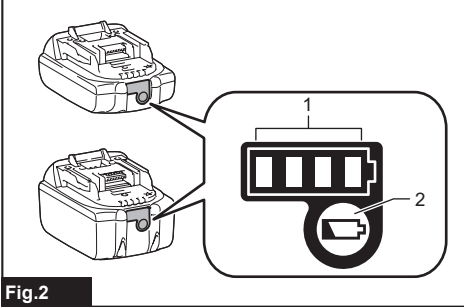


Fig.2

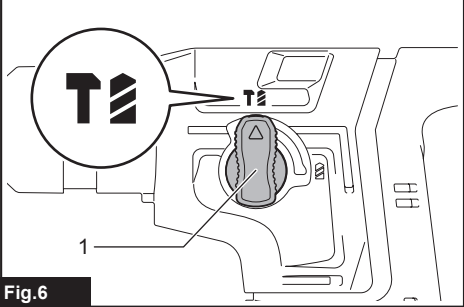


Fig.6

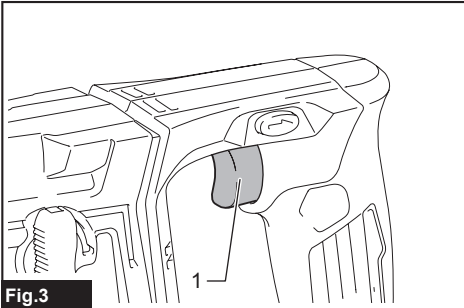


Fig.3

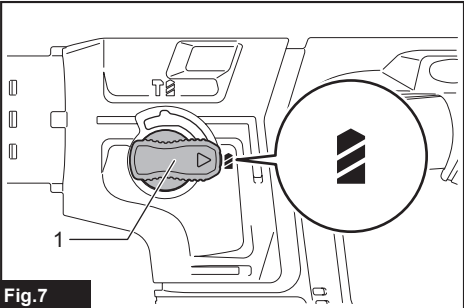


Fig.7

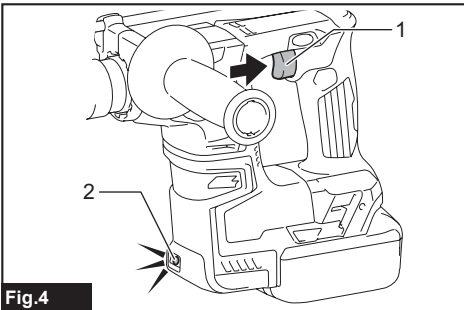


Fig.4

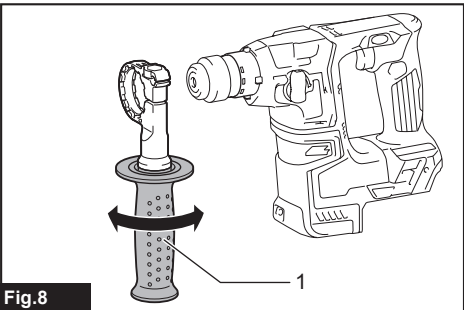
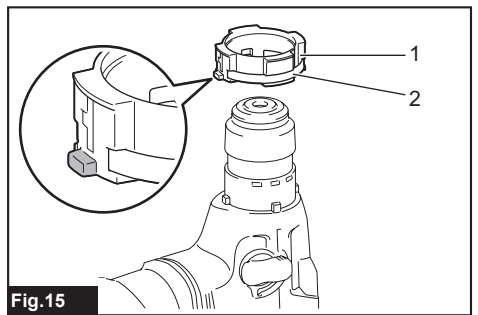
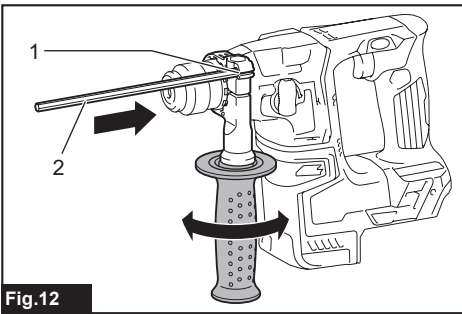
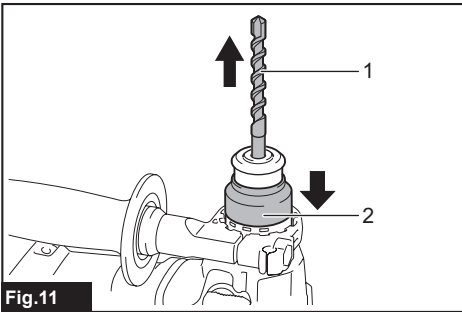
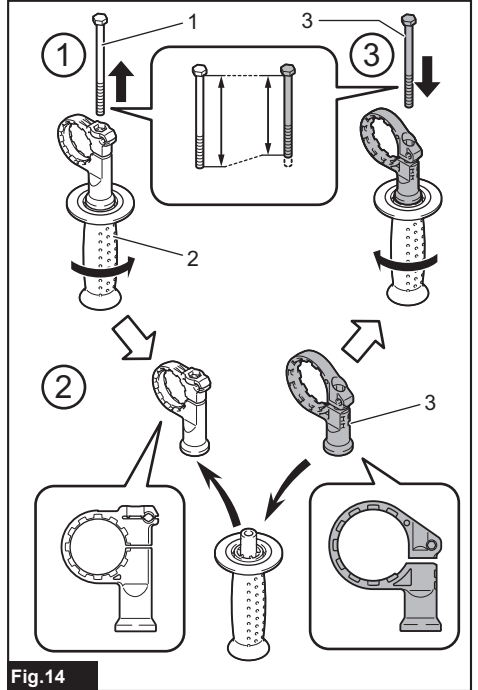
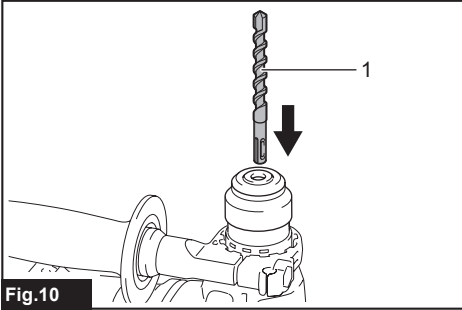
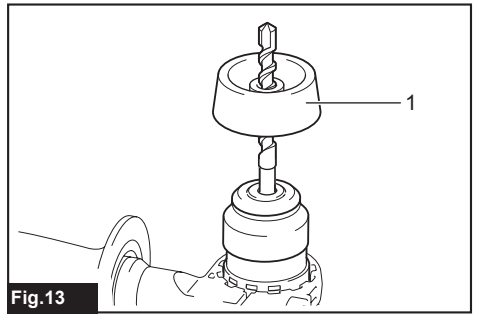
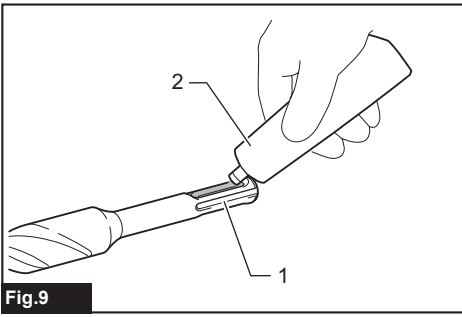


Fig.8



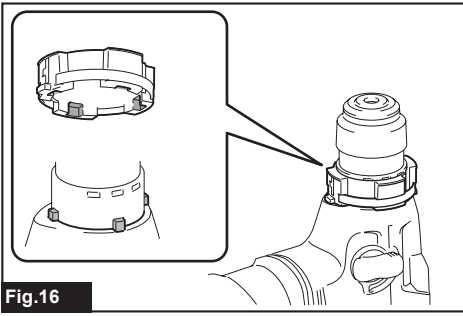


Fig.16

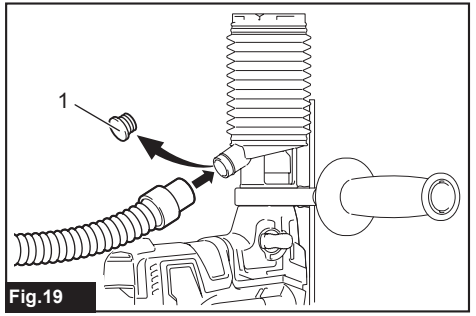


Fig.19

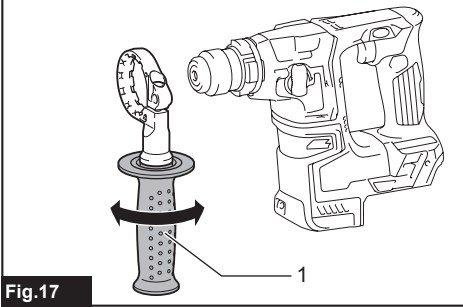


Fig.17

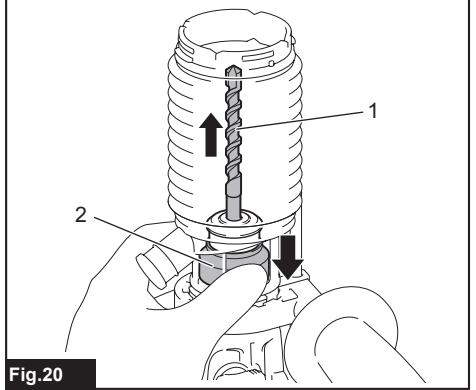


Fig.20

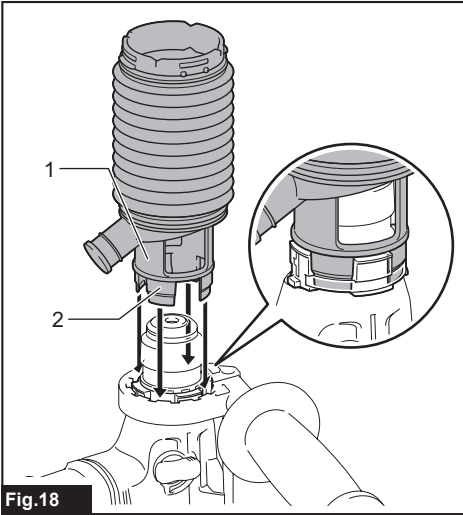


Fig.18

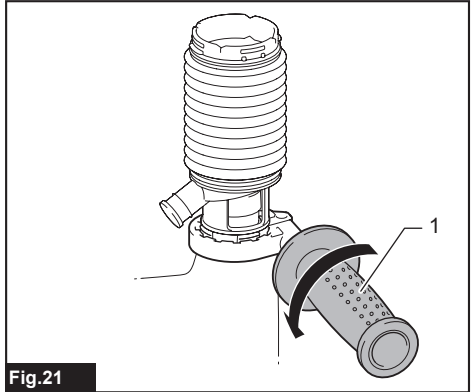


Fig.21

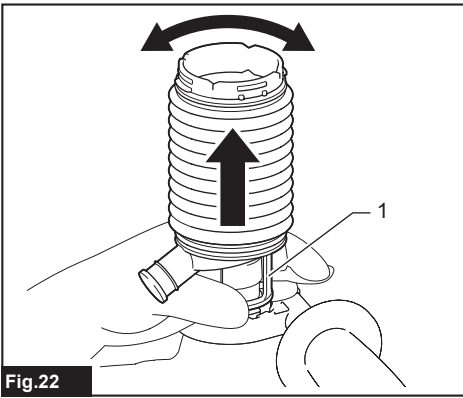


Fig.22

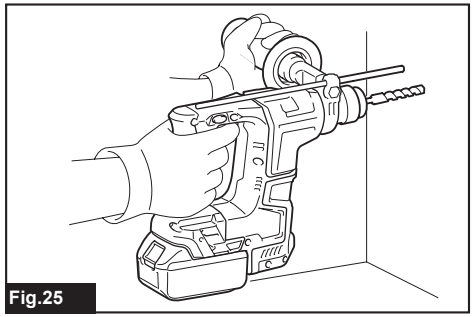


Fig.25

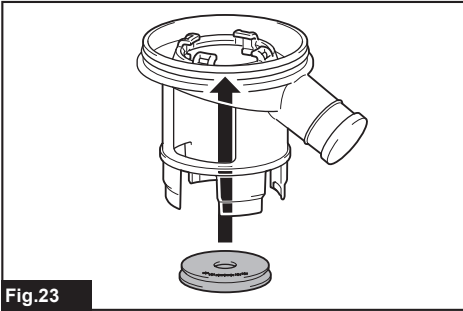


Fig.23

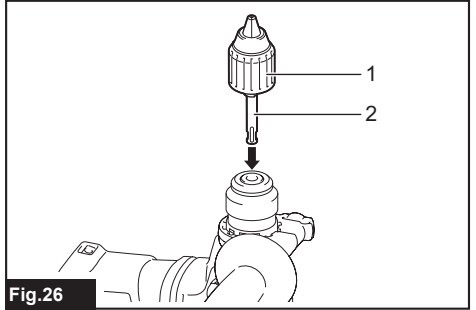


Fig.26

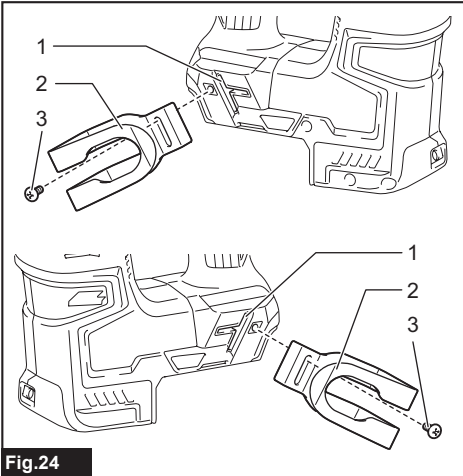


Fig.24

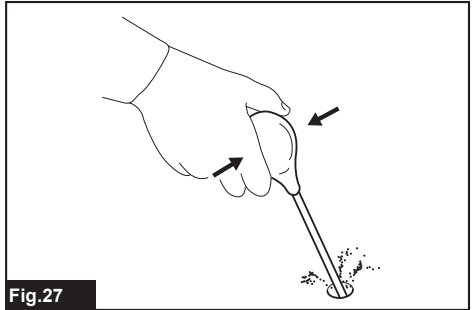


Fig.27

SPECIFICATIONS

Model:		DHR171
Drilling capacities	Concrete	17 mm
	Steel	10 mm
	Wood	13 mm
No load speed		0 - 680 min ⁻¹
Blows per minute		0 - 4,800 min ⁻¹
Overall length		273 mm
Rated voltage		D.C. 18 V
Standard battery cartridge		BL1815N / BL1820 / BL1820B / BL1830 / BL1830B / BL1840 / BL1840B / BL1850 / BL1850B / BL1860B
Net weight		2.1 - 2.8 kg

- Due to our continuing program of research and development, the specifications herein are subject to change without notice.
- Specifications and battery cartridge may differ from country to country.
- The weight may differ depending on the attachment(s), including the battery cartridge. The lightest and heaviest combination, according to EPTA-Procedure 01/2014, are shown in the table.

Intended use

The tool is intended for hammer drilling and drilling in brick, concrete and stone. It is also suitable for drilling without impact in wood, metal, ceramic and plastic.

Noise

The typical A-weighted noise level determined according to EN60745:

Sound pressure level (L_{pA}): 86 dB(A)

Sound power level (L_{WA}): 97 dB (A)

Uncertainty (K): 3 dB(A)

⚠ WARNING: Wear ear protection.

Vibration

The vibration total value (tri-axial vector sum) determined according to EN60745:

Work mode: hammer drilling into concrete

Vibration emission ($a_{n,HD}$): 9.0 m/s²

Uncertainty (K): 1.5 m/s²

Work mode: drilling into metal

Vibration emission ($a_{n,D}$): 2.5 m/s² or less

Uncertainty (K): 1.5 m/s²

NOTE: The declared vibration emission value has been measured in accordance with the standard test method and may be used for comparing one tool with another.

NOTE: The declared vibration emission value may also be used in a preliminary assessment of exposure.

⚠ WARNING: The vibration emission during actual use of the power tool can differ from the declared emission value depending on the ways in which the tool is used.

⚠ WARNING: Be sure to identify safety measures to protect the operator that are based on an estimation of exposure in the actual conditions of use (taking account of all parts of the operating cycle such as the times when the tool is switched off and when it is running idle in addition to the trigger time).

EC Declaration of Conformity

For European countries only

The EC declaration of conformity is included as Annex A to this instruction manual.

SAFETY WARNINGS

General power tool safety warnings

⚠ WARNING: Read all safety warnings, instructions, illustrations and specifications provided with this power tool. Failure to follow all instructions listed below may result in electric shock, fire and/or serious injury.

Save all warnings and instructions for future reference.

The term "power tool" in the warnings refers to your mains-operated (corded) power tool or battery-operated (cordless) power tool.

CORDLESS ROTARY HAMMER SAFETY WARNINGS

1. **Wear ear protectors.** Exposure to noise can cause hearing loss.
2. **Use auxiliary handle(s), if supplied with the tool.** Loss of control can cause personal injury.
3. **Hold power tool by insulated gripping surfaces, when performing an operation where the cutting accessory may contact hidden wiring.** Cutting accessory contacting a "live" wire may make exposed metal parts of the power tool "live" and could give the operator an electric shock.
4. **Wear a hard hat (safety helmet), safety glasses and/or face shield. Ordinary eye or sun glasses are NOT safety glasses.** It is also highly recommended that you wear a dust mask and thickly padded gloves.
5. **Be sure the bit is secured in place before operation.**
6. **Under normal operation, the tool is designed to produce vibration. The screws can come loose easily, causing a breakdown or accident. Check tightness of screws carefully before operation.**
7. **In cold weather or when the tool has not been used for a long time, let the tool warm up for a while by operating it under no load. This will loosen up the lubrication. Without proper warm-up, hammering operation is difficult.**
8. **Always be sure you have a firm footing. Be sure no one is below when using the tool in high locations.**
9. **Hold the tool firmly with both hands.**
10. **Keep hands away from moving parts.**
11. **Do not leave the tool running. Operate the tool only when hand-held.**
12. **Do not point the tool at any one in the area when operating. The bit could fly out and injure someone seriously.**
13. **Do not touch the bit, parts close to the bit, or workpiece immediately after operation; they may be extremely hot and could burn your skin.**
14. **Some material contains chemicals which may be toxic. Take caution to prevent dust inhalation and skin contact. Follow material supplier safety data.**
15. **Always be sure that the tool is switched off and the battery cartridge and the bit are removed before handing the tool to other person.**

SAVE THESE INSTRUCTIONS.

⚠WARNING: DO NOT let comfort or familiarity with product (gained from repeated use) replace strict adherence to safety rules for the subject product. MISUSE or failure to follow the safety rules stated in this instruction manual may cause serious personal injury.

Important safety instructions for battery cartridge

1. **Before using battery cartridge, read all instructions and cautionary markings on (1) battery charger, (2) battery, and (3) product using battery.**
2. **Do not disassemble battery cartridge.**
3. **If operating time has become excessively shorter, stop operating immediately. It may result in a risk of overheating, possible burns and even an explosion.**
4. **If electrolyte gets into your eyes, rinse them out with clear water and seek medical attention right away. It may result in loss of your eyesight.**
5. **Do not short the battery cartridge:**
 - (1) **Do not touch the terminals with any conductive material.**
 - (2) **Avoid storing battery cartridge in a container with other metal objects such as nails, coins, etc.**
 - (3) **Do not expose battery cartridge to water or rain.**

A battery short can cause a large current flow, overheating, possible burns and even a breakdown.
6. **Do not store the tool and battery cartridge in locations where the temperature may reach or exceed 50 °C (122 °F).**
7. **Do not incinerate the battery cartridge even if it is severely damaged or is completely worn out. The battery cartridge can explode in a fire.**
8. **Be careful not to drop or strike battery.**
9. **Do not use a damaged battery.**
10. **The contained lithium-ion batteries are subject to the Dangerous Goods Legislation requirements.**

For commercial transports e.g. by third parties, forwarding agents, special requirement on packaging and labeling must be observed. For preparation of the item being shipped, consulting an expert for hazardous material is required. Please also observe possibly more detailed national regulations.

Tape or mask off open contacts and pack up the battery in such a manner that it cannot move around in the packaging.
11. **Follow your local regulations relating to disposal of battery.**
12. **Use the batteries only with the products specified by Makita.** Installing the batteries to non-compliant products may result in a fire, excessive heat, explosion, or leak of electrolyte.

SAVE THESE INSTRUCTIONS.

⚠CAUTION: Only use genuine Makita batteries. Use of non-genuine Makita batteries, or batteries that have been altered, may result in the battery bursting causing fires, personal injury and damage. It will also void the Makita warranty for the Makita tool and charger.

Tips for maintaining maximum battery life

1. Charge the battery cartridge before completely discharged. Always stop tool operation and charge the battery cartridge when you notice less tool power.
2. Never recharge a fully charged battery cartridge. Overcharging shortens the battery service life.
3. Charge the battery cartridge with room temperature at 10 °C - 40 °C (50 °F - 104 °F). Let a hot battery cartridge cool down before charging it.
4. Charge the battery cartridge if you do not use it for a long period (more than six months).

FUNCTIONAL DESCRIPTION

CAUTION: Always be sure that the tool is switched off and the battery cartridge is removed before adjusting or checking function on the tool.

Installing or removing battery cartridge

CAUTION: Always switch off the tool before installing or removing of the battery cartridge.

CAUTION: Hold the tool and the battery cartridge firmly when installing or removing battery cartridge. Failure to hold the tool and the battery cartridge firmly may cause them to slip off your hands and result in damage to the tool and battery cartridge and a personal injury.

► Fig.1: 1. Red indicator 2. Button 3. Battery cartridge

To remove the battery cartridge, slide it from the tool while sliding the button on the front of the cartridge.

To install the battery cartridge, align the tongue on the battery cartridge with the groove in the housing and slip it into place. Insert it all the way until it locks in place with a little click. If you can see the red indicator on the upper side of the button, it is not locked completely.

CAUTION: Always install the battery cartridge fully until the red indicator cannot be seen. If not, it may accidentally fall out of the tool, causing injury to you or someone around you.












CAUTION: Do not install the battery cartridge forcibly. If the cartridge does not slide in easily, it is not being inserted correctly.

Indicating the remaining battery capacity

Only for battery cartridges with the indicator

► Fig.2: 1. Indicator lamps 2. Check button

Press the check button on the battery cartridge to indicate the remaining battery capacity. The indicator lamps light up for a few seconds.

Indicator lamps			Remaining capacity
 Lighted	 Off	 Blinking	
			75% to 100%
			50% to 75%
			25% to 50%
			0% to 25%
			Charge the battery.
			The battery may have malfunctioned.
			

NOTE: Depending on the conditions of use and the ambient temperature, the indication may differ slightly from the actual capacity.

Tool / battery protection system

The tool is equipped with a tool/battery protection system. This system automatically cuts off power to the motor to extend tool and battery life. The tool will automatically stop during operation if the tool or battery is placed under one of the following conditions:

Overload protection

When the battery is operated in a manner that causes it to draw an abnormally high current, the tool automatically stops without any indication. In this situation, turn the tool off and stop the application that caused the tool to become overloaded. Then turn the tool on to restart.

Overheat protection

When the tool or battery is overheated, the tool stops automatically and the lamp blinks. In this case, let the tool and battery cool before turning the tool on again.

Overdischarge protection

When the battery capacity is not enough, the tool stops automatically. In this case, remove the battery from the tool and charge the battery.

Switch action

⚠ WARNING: Before installing the battery cartridge into the tool, always check to see that the switch trigger actuates properly and returns to the "OFF" position when released.

► Fig.3: 1. Switch trigger

To start the tool, simply pull the switch trigger. Tool speed is increased by increasing pressure on the switch trigger. Release the switch trigger to stop.

Lighting up the front lamp

► Fig.4: 1. Switch trigger 2. Lamp

⚠ CAUTION: Do not look in the light or see the source of light directly.

Pull the switch trigger to light up the lamp. The lamp keeps on lighting while the switch trigger is being pulled. The lamp goes out approximately 10 seconds after releasing the switch trigger.

NOTE: Use a dry cloth to wipe the dirt off the lens of the lamp. Be careful not to scratch the lens of lamp, or it may lower the illumination.

Reversing switch action

► Fig.5: 1. Reversing switch lever

⚠ CAUTION: Always check the direction of rotation before operation.

⚠ CAUTION: Use the reversing switch only after the tool comes to a complete stop. Changing the direction of rotation before the tool stops may damage the tool.

⚠ CAUTION: When not operating the tool, always set the reversing switch lever to the neutral position.

This tool has a reversing switch to change the direction of rotation. Depress the reversing switch lever from the A side for clockwise rotation or from the B side for counterclockwise rotation.


When the reversing switch lever is in the neutral position, the switch trigger cannot be pulled.

Selecting the action mode

NOTICE: Do not rotate the action mode changing knob when the tool is running. The tool will be damaged.


NOTICE: To avoid rapid wear on the mode change mechanism, be sure that the action mode changing knob is always positively located in one of the action mode positions.

Rotation with hammering

For drilling in concrete, masonry, etc., rotate the action mode changing knob to the  symbol. Use a carbide-tipped drill bit.

► Fig.6: 1. Action mode changing knob

Rotation only

For drilling in wood, metal or plastic materials, rotate the action mode changing knob to the  symbol. Use a twist drill bit or wood drill bit.

► Fig.7: 1. Action mode changing knob

ASSEMBLY

⚠ CAUTION: Always be sure that the tool is switched off and the battery cartridge is removed before carrying out any work on the tool.

Side grip (auxiliary handle)

⚠ CAUTION: Always use the side grip to ensure safe operation.

⚠ CAUTION: After installing or adjusting the side grip, make sure that the side grip is firmly secured.

Install the side grip so that the grooves on the grip fit in the protrusions on the tool barrel. Turn the grip clockwise to secure it. The grip can be fixed at desired angle.

► Fig.8: 1. Side grip

Grease

Coat the shank end of the drill bit beforehand with a small amount of grease (about 0.5 - 1 g). This chuck lubrication assures smooth action and longer service life.

Installing or removing drill bit

Clean the shank end of the drill bit and apply grease before installing the drill bit.

► Fig.9: 1. Shank end 2. Grease

Insert the drill bit into the tool. Turn the drill bit and push it in until it engages.

After installing the drill bit, always make sure that the drill bit is securely held in place by trying to pull it out.

► Fig.10: 1. Drill bit

To remove the drill bit, pull the chuck cover down all the way and pull the drill bit out.

► Fig.11: 1. Drill bit 2. Chuck cover

Depth gauge

The depth gauge is convenient for drilling holes of uniform depth. Loosen the side grip and insert the depth gauge into the hole on the side grip. Adjust the depth gauge to the desired depth and tighten the side grip firmly.

► Fig.12: 1. Hole 2. Depth gauge

NOTE: Make sure that the depth gauge does not touch the main body of the tool when attaching it.

Dust cup

Optional accessory

Use the dust cup to prevent dust from falling over the tool and on yourself when performing overhead drilling operations. Attach the dust cup to the bit as shown in the figure. The size of bits which the dust cup can be attached to is as follows.

Model	Bit diameter
Dust cup 5	6 mm - 14.5 mm
Dust cup 9	12 mm - 16 mm

► **Fig.13:** 1. Dust cup

Dust cup set

Optional accessory

Installing the dust cup set

NOTICE: If you purchase the dust cup set as optional accessory, the standard side grip cannot be used with the dust cup set being installed on the tool. When the dust cup set is installed on the tool, remove the grip from the standard side grip, and then attach it to the optional grip base set.

► **Fig.14:** 1. Bolt 2. Grip 3. Optional grip base set

NOTICE: Do not use the dust cup set when drilling in metal or similar. It may damage the dust cup set due to the heat produced by small metal dust or similar. Do not install or remove the dust cup set with the drill bit installed in the tool. It may damage the dust cup set and cause dust leak.

Before installing the dust cup set, remove the bit from the tool if installed.

1. Install the spacer so that the grooves on the spacer fit in the protrusions on the tool barrel while widening it. Be careful for the spring not to come off from the slit of spacer.

► **Fig.15:** 1. Spacer 2. Spring

► **Fig.16**

2. Install the side grip (optional grip base set and the grip removed from standard side grip) so that the groove on the grip fit in the protrusion on the spacer. Turn the grip clockwise to secure it.

► **Fig.17:** 1. Side grip

3. Install the dust cup set so that the claws of the dust cup fit in the slits on the spacer.

► **Fig.18:** 1. Dust cup 2. Claws

NOTE: If you connect a vacuum cleaner to the dust cup set, remove the dust cap before connecting it.

► **Fig.19:** 1. Dust cap

Removing the drill bit

To remove the drill bit, pull the chuck cover down all the way and pull the drill bit out.

► **Fig.20:** 1. Bit 2. Chuck cover

Removing the dust cup set

To remove the dust cup set, follow the steps below.

1. Loosen the side grip.

► **Fig.21:** 1. Side grip

2. Hold the root of dust cup and pull it out.

► **Fig.22:** 1. Dust cup

NOTE: If it is difficult to remove the dust cup set, remove the claws of the dust cup one by one by swinging and pulling the root of the dust cup.

NOTE: If the cap comes off from the dust cup, attach it with its printed side facing up so that groove on the cap fits in the inside periphery of the attachment.

► **Fig.23**

Hook

Optional accessory

CAUTION: Always remove the battery when hanging the tool with the hook.

CAUTION: Never hook the tool at high location or on potentially unstable surface.

► **Fig.24:** 1. Groove 2. Hook 3. Screw

The hook is convenient for temporarily hanging the tool. This can be installed on either side of the tool.

To install the hook, insert it into a groove in the tool housing on either side and then secure it with a screw. To remove, loosen the screw and then take it out.

OPERATION

CAUTION: Always use the side grip (auxiliary handle) and firmly hold the tool by both side grip and switch handle during operations.


CAUTION: Always make sure that the work-piece is secured before operation.

NOTE: If the battery cartridge is in low temperature, the tool's capability may not be fully obtained. In this case, warm up the battery cartridge by using the tool with no load for a while to fully obtain the tool's capability.

► **Fig.25**

Hammer drilling operation

CAUTION: There is tremendous and sudden twisting force exerted on the tool/drill bit at the time of hole break-through, when the hole becomes clogged with chips and particles, or when striking reinforcing rods embedded in the concrete. **Always use the side grip (auxiliary handle) and firmly hold the tool by both side grip and switch handle during operations.** Failure to do so may result in the loss of control of the tool and potentially severe injury.

Set the action mode changing knob to the  symbol. Position the drill bit at the desired location for the hole, then pull the switch trigger. Do not force the tool. Light pressure gives best results. Keep the tool in position and prevent it from slipping away from the hole.

Do not apply more pressure when the hole becomes clogged with chips or particles. Instead, run the tool at an idle, then remove the drill bit partially from the hole. By repeating this several times, the hole will be cleaned out and normal drilling may be resumed.

NOTE: Eccentricity in the drill bit rotation may occur while operating the tool with no load. The tool automatically centers itself during operation. This does not affect the drilling precision.

Drilling in wood or metal

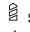
CAUTION: Hold the tool firmly and exert care when the drill bit begins to break through the workpiece. There is a tremendous force exerted on the tool/drill bit at the time of hole break through.

CAUTION: A stuck drill bit can be removed simply by setting the reversing switch to reverse rotation in order to back out. However, the tool may back out abruptly if you do not hold it firmly.

CAUTION: Always secure workpieces in a vise or similar hold-down device.

NOTICE: Never use "rotation with hammering" when the drill chuck is installed on the tool. The drill chuck may be damaged. Also, the drill chuck will come off when reversing the tool.

NOTICE: Pressing excessively on the tool will not speed up the drilling. In fact, this excessive pressure will only serve to damage the tip of your drill bit, decrease the tool performance and shorten the service life of the tool.

Set the action mode changing knob to the  symbol. Attach the chuck adapter to a keyless drill chuck to which 1/2"-20 size screw can be installed, and then install them to the tool. When installing it, refer to the section "Installing or removing drill bit".

► **Fig.26:** 1. Drill chuck assembly 2. Chuck adapter

Blow-out bulb

Optional accessory

After drilling the hole, use the blow-out bulb to clean the dust out of the hole.

► **Fig.27**

MAINTENANCE

CAUTION: Always be sure that the tool is switched off and the battery cartridge is removed before attempting to perform inspection or maintenance.

NOTICE: Never use gasoline, benzine, thinner, alcohol or the like. Discoloration, deformation or cracks may result.

To maintain product SAFETY and RELIABILITY, repairs, any other maintenance or adjustment should be performed by Makita Authorized or Factory Service Centers, always using Makita replacement parts.

OPTIONAL ACCESSORIES

CAUTION: These accessories or attachments are recommended for use with your Makita tool specified in this manual. The use of any other accessories or attachments might present a risk of injury to persons. Only use accessory or attachment for its stated purpose.

If you need any assistance for more details regarding these accessories, ask your local Makita Service Center.

- Carbide-tipped drill bits (SDS-Plus carbide-tipped bits)
- Chuck adapter
- Keyless drill chuck
- Bit grease
- Depth gauge
- Blow-out bulb
- Dust cup
- Dust cup set
- Grip base set
- Safety goggles
- Hook
- Makita genuine battery and charger
- Plastic carrying case

NOTE: Some items in the list may be included in the tool package as standard accessories. They may differ from country to country.

SPÉCIFICATIONS

Modèle :		DHR171
Capacités de perçage	Béton	17 mm
	Acier	10 mm
	Bois	13 mm
Vitesse à vide		0 - 680 min ⁻¹
Frappes par minute		0 - 4 800 min ⁻¹
Longueur totale		273 mm
Tension nominale		18 V CC
Batterie standard		BL1815N / BL1820 / BL1820B / BL1830 / BL1830B / BL1840 / BL1840B / BL1850 / BL1850B / BL1860B
Poids net		2,1 - 2,8 kg

- Étant donné l'évolution constante de notre programme de recherche et de développement, les spécifications contenues dans ce manuel sont sujettes à modification sans préavis.
- Les spécifications et la batterie peuvent être différentes suivant les pays.
- Le poids peut être différent selon les accessoires, notamment la batterie. Les associations la plus légère et la plus lourde, conformément à la procédure EPTA 01/2014, sont indiquées dans le tableau.

Utilisation prévue

L'outil est conçu pour le perçage avec martelage et le perçage dans la brique, le béton et la pierre. Il convient également au perçage sans impact dans le bois, le métal, la céramique et le plastique.

Bruit

Niveau de bruit pondéré A typique, déterminé selon EN60745 :

Niveau de pression sonore (L_{pA}) : 86 dB (A)

Niveau de puissance sonore (L_{WA}) : 97 dB (A)

Incertitude (K) : 3 dB (A)

AVERTISSEMENT : Portez un **serre-tête antibruit**.

Vibrations

Valeur totale de vibrations (somme de vecteur triaxial) déterminée selon EN60745 :

Mode de travail : perçage avec martelage dans le béton

Émission de vibrations ($a_{h,HD}$) : 9,0 m/s²

Incertitude (K) : 1,5 m/s²

Mode de travail : perçage dans le métal

Émission de vibrations ($a_{h,D}$) : 2,5 m/s² ou moins

Incertitude (K) : 1,5 m/s²

NOTE : La valeur d'émission de vibrations déclarée a été mesurée conformément à la méthode de test standard et peut être utilisée pour comparer les outils entre eux.

NOTE : La valeur d'émission de vibrations déclarée peut aussi être utilisée pour l'évaluation préliminaire de l'exposition.

AVERTISSEMENT : L'émission de vibrations lors de l'usage réel de l'outil électrique peut être différente de la valeur d'émission déclarée, suivant la façon dont l'outil est utilisé.

AVERTISSEMENT : Les mesures de sécurité à prendre pour protéger l'utilisateur doivent être basées sur une estimation de l'exposition dans des conditions réelles d'utilisation (en tenant compte de toutes les composantes du cycle d'utilisation, comme par exemple le moment de sa mise hors tension, lorsqu'il tourne à vide et le moment de son déclenchement).

Déclaration de conformité CE

Pour les pays européens uniquement

La déclaration de conformité CE est fournie en Annexe A à ce mode d'emploi.

CONSIGNES DE SÉCURITÉ

Consignes de sécurité générales pour outils électriques

AVERTISSEMENT : Veuillez lire les **consignes de sécurité, instructions, illustrations et spécifications qui accompagnent cet outil électrique**. Le non-respect de toutes les instructions indiquées ci-dessous peut entraîner une électrocution, un incendie et/ou de graves blessures.

Conservez toutes les mises en garde et instructions pour référence ultérieure.

Le terme « outil électrique » dans les avertissements fait référence à l'outil électrique alimenté par le secteur (avec cordon d'alimentation) ou à l'outil électrique fonctionnant sur batterie (sans cordon d'alimentation).

CONSIGNES DE SÉCURITÉ POUR PERFORATEUR SANS FIL

1. **Portez des protecteurs d'oreilles.** L'exposition au bruit peut entraîner la surdité.
2. **Utilisez la ou les poignées auxiliaires, si l'outil en possède.** Toute perte de maîtrise de l'outil comporte un risque de blessure.
3. **Tenez l'outil électrique par des surfaces de prise isolées lorsque vous effectuez une tâche au cours de laquelle l'accessoire de coupe peut entrer en contact avec des fils cachés.** Le contact de l'accessoire de découpe avec un fil sous tension peut transmettre du courant dans les pièces métalliques exposées de l'outil électrique et électrocuter l'utilisateur.
4. **Portez un casque de sécurité (casque de chantier), des lunettes de sécurité et/ou un écran facial. Les lunettes de vue ou les lunettes de soleil NE sont PAS des lunettes de sécurité. Il est également vivement recommandé de porter un masque anti-poussière et des gants matelassés.**
5. **Avant utilisation, assurez-vous que le foret est bien fixé en place.**
6. **Dans des conditions normales de fonctionnement, l'outil est conçu pour émettre des vibrations. Les vis peuvent se desserrer facilement et provoquer une panne ou un accident. Avant utilisation, vérifiez soigneusement que les vis sont bien serrées.**
7. **Par temps froid ou si l'outil n'a pas été utilisé pendant longtemps, laissez-le chauffer un instant en le faisant fonctionner à vide. Cela ramollira le lubrifiant. Si vous ne chauffez pas adéquatement l'outil, le martelage s'exécute difficilement.**
8. **Assurez-vous toujours de travailler en position stable. Veillez à ce que personne ne se trouve en dessous de vous quand vous utilisez l'outil en hauteur.**
9. **Tenez l'outil fermement à deux mains.**
10. **Éloignez les mains des pièces en mouvement.**
11. **Ne vous éloignez pas en laissant l'outil tourner. Ne le faites fonctionner que lorsque vous l'avez bien en main.**
12. **Ne pointez l'outil vers personne dans la zone d'utilisation. Le foret peut être projeté et blesser gravement quelqu'un.**
13. **Ne touchez pas le foret, les pièces proches du foret ou la pièce immédiatement après l'exécution du travail ; ils peuvent être extrêmement chauds et vous brûler la peau.**
14. **Certains matériaux contiennent des produits chimiques qui peuvent être toxiques. Prenez garde de ne pas avaler la poussière et évitez tout contact avec la peau. Suivez les données de sécurité du fournisseur du matériau.**
15. **Assurez-vous toujours que l'outil est hors tension et que la batterie et le foret sont retirés avant de passer l'outil à une autre personne.**

CONSERVEZ CES INSTRUCTIONS.

⚠ AVERTISSEMENT : NE vous laissez PAS tromper (au fil d'une utilisation répétée) par un sentiment d'aisance et de familiarité avec le produit, en négligeant le respect rigoureux des consignes de sécurité qui accompagnent le produit en question. La MAUVAISE UTILISATION de l'outil ou l'ignorance des consignes de sécurité indiquées dans ce mode d'emploi peut entraîner de graves blessures.

Consignes de sécurité importantes pour la batterie

1. **Avant d'utiliser la batterie, lisez toutes les instructions et précautions relatives (1) au chargeur de batterie, (2) à la batterie, et (3) au produit utilisant la batterie.**
2. **Ne démontez pas la batterie.**
3. **Cessez immédiatement l'utilisation si le temps de fonctionnement devient excessivement court. Il y a risque de surchauffe, de brûlures, voire d'explosion.**
4. **Si l'électrolyte pénètre dans vos yeux, rincez-les à l'eau claire et consultez immédiatement un médecin. Il y a risque de perte de la vue.**
5. **Ne court-circuitez pas la batterie :**
 - (1) **Ne touchez les bornes avec aucun matériau conducteur.**
 - (2) **Évitez de ranger la batterie dans un conteneur avec d'autres objets métalliques, par exemple des clous, des pièces de monnaie, etc.**
 - (3) **N'exposez pas la batterie à l'eau ou à la pluie. Un court-circuit de la batterie peut provoquer une intensité de courant élevée, une surchauffe, parfois des brûlures et même une panne.**
6. **Ne rangez pas l'outil et la batterie dans un endroit où la température risque d'atteindre ou de dépasser 50 °C.**
7. **Ne jetez pas la batterie au feu même si elle est sérieusement endommagée ou complètement épuisée. La batterie peut exploser au contact du feu.**
8. **Évitez de laisser tomber ou de cogner la batterie.**
9. **N'utilisez pas la batterie si elle est endommagée.**
10. **Les batteries au lithium-ion contenues sont soumises aux exigences de la législation sur les marchandises dangereuses.**

Lors du transport commercial par des tierces parties ou des transitaires par exemple, des exigences spécifiques en matière d'étiquetage et d'emballage doivent être respectées. Pour la préparation de l'article expédié, il est nécessaire de consulter un expert en matériau dangereux. Veuillez également respecter les réglementations nationales susceptibles d'être plus détaillées. Recouvrez les contacts exposés avec du ruban adhésif ou du ruban de masquage et emballez la batterie de telle sorte qu'elle ne puisse pas bouger dans l'emballage.
11. **Suivez les réglementations locales en matière de mise au rebut des batteries.**
12. **Utilisez les batteries uniquement avec les produits spécifiés par Makita.** L'insertion de batteries dans des produits non conformes peut provoquer un incendie, une chaleur excessive, une explosion ou une fuite de l'électrolyte.

CONSERVEZ CES INSTRUCTIONS.

⚠ ATTENTION : N'utilisez que des batteries Makita d'origine. L'utilisation de batteries de marque autre que Makita ou de batteries modifiées peut provoquer l'explosion des batteries, ce qui présente un risque d'incendie, de dommages matériels et corporels. Cela annulera également la garantie Makita pour l'outil et le chargeur Makita.

Conseils pour assurer la durée de vie optimale de la batterie

1. Chargez la batterie avant qu'elle ne soit complètement déchargée. Arrêtez toujours l'outil et rechargez la batterie quand vous remarquez que la puissance de l'outil diminue.
2. Ne rechargez jamais une batterie complètement chargée. La surcharge réduit la durée de service de la batterie.
3. Chargez la batterie à une température ambiante comprise entre 10 °C et 40 °C. Avant de charger une batterie chaude, laissez-la refroidir.
4. Rechargez la batterie si elle est restée inutilisée pendant une période prolongée (plus de six mois).

DESCRIPTION DU FONCTIONNEMENT

⚠ ATTENTION : Assurez-vous toujours que l'outil est hors tension et que sa batterie est retirée avant de l'ajuster ou de vérifier son fonctionnement.

Insertion ou retrait de la batterie

⚠ ATTENTION : Éteignez toujours l'outil avant de mettre en place ou de retirer la batterie.

⚠ ATTENTION : Tenez fermement l'outil et la batterie lors de la mise en place ou du retrait de la batterie. Si vous ne tenez pas fermement l'outil et la batterie, ils peuvent vous glisser des mains, et s'abîmer ou vous blesser.

► Fig.1: 1. Voyant rouge 2. Bouton 3. Batterie

Pour retirer la batterie, faites-la glisser hors de l'outil tout en faisant glisser le bouton à l'avant de la batterie.

Pour mettre en place la batterie, alignez la languette sur la batterie avec la rainure sur le compartiment et insérez-la. Insérez-la à fond jusqu'à ce qu'un léger déclic se fasse entendre. Si le voyant rouge sur le dessus du bouton est visible, cela signifie qu'elle n'est pas bien verrouillée.

⚠ ATTENTION : Insérez toujours complètement la batterie jusqu'à ce que le voyant rouge ne soit plus visible. Sinon, elle pourrait tomber accidentellement de l'outil, au risque de vous blesser ou de blesser quelqu'un se trouvant près de vous.

⚠ ATTENTION : N'insérez pas la batterie de force. Si elle ne glisse pas facilement, c'est que vous ne l'insérez pas correctement.

Indication de la charge restante de la batterie

Uniquement pour les batteries avec voyant lumineux

► Fig.2: 1. Témoins 2. Bouton de vérification

Appuyez sur le bouton de vérification sur la batterie pour indiquer la charge restante de la batterie. Les témoins s'allument pendant quelques secondes.

Témoins			Charge restante
Allumé	Éteint	Clignotant	
■	■	■	75 % à 100 %
■	■	□	50 % à 75 %
■	□	□	25 % à 50 %
□	□	□	0 % à 25 %
◻	□	□	Chargez la batterie.
■	■	□	Anomalie possible de la batterie.
□	□	■	

NOTE : Selon les conditions d'utilisation et la température ambiante, l'indication peut être légèrement différente de la capacité réelle.

Système de protection de l'outil/la batterie

L'outil est équipé d'un système de protection de l'outil/la batterie. Ce système coupe automatiquement l'alimentation vers le moteur pour prolonger la durée de vie de l'outil et de la batterie. Si l'outil ou la batterie se trouve dans l'une des situations suivantes, l'outil cessera automatiquement de fonctionner.

Protection contre la surcharge

Lorsque la batterie est utilisée d'une manière provoquant un appel de courant anormalement élevé, l'outil s'arrête automatiquement sans indication. Dans ce cas, éteignez l'outil et arrêtez la tâche ayant provoqué la surcharge de l'outil. Puis rallumez l'outil pour reprendre la tâche.

Protection contre la surchauffe

En cas de surchauffe de l'outil ou de la batterie, l'outil s'arrête automatiquement et la lampe clignote. Dans ce cas, laissez l'outil et la batterie refroidir avant de rallumer l'outil.

Protection contre la décharge totale de la batterie

Lorsque la charge de la batterie est insuffisante, l'outil s'arrête automatiquement. Dans ce cas, retirez la batterie de l'outil et chargez-la.

Fonctionnement de la gâchette

⚠ AVERTISSEMENT : Avant d'insérer la batterie dans l'outil, vérifiez toujours que la gâchette fonctionne bien et revient en position d'arrêt lorsque vous la relâchez.

► Fig.3: 1. Gâchette

Il suffit d'enclencher la gâchette pour démarrer l'outil. La vitesse de l'outil augmente à mesure que l'on accroît la pression exercée sur la gâchette. Pour l'arrêter, relâchez la gâchette.

Allumage de la lampe avant

► Fig.4: 1. Gâchette 2. Lampe

⚠ ATTENTION : Évitez de regarder directement le faisceau lumineux ou sa source.

Enclenchez la gâchette pour allumer la lampe. La lampe reste allumée tant que la gâchette est enclenchée. La lampe s'éteint environ 10 secondes après avoir relâché la gâchette.

NOTE : Retirez la saleté sur la lentille de la lampe avec un chiffon sec. Prenez soin de ne pas érafler la lentille de la lampe sous peine de diminuer son éclairage.

Fonctionnement de l'inverseur

► Fig.5: 1. Levier de l'inverseur

⚠ ATTENTION : Vérifiez toujours le sens de rotation avant d'utiliser l'outil.

⚠ ATTENTION : N'utilisez l'inverseur qu'une fois que l'outil est complètement arrêté. Si vous changez le sens de rotation avant l'arrêt de l'outil, vous risquez de l'endommager.

⚠ ATTENTION : Lorsque vous n'utilisez pas l'outil, placez toujours le levier de l'inverseur en position neutre.


L'outil possède un inverseur qui permet de changer le sens de rotation. Enfoncez le levier de l'inverseur du côté A pour une rotation dans le sens des aiguilles d'une montre, ou du côté B pour une rotation dans le sens inverse des aiguilles d'une montre. La gâchette ne peut pas être enclenchée lorsque le levier de l'inverseur se trouve en position neutre.

Sélection du mode de fonctionnement

REMARQUE : Ne tournez pas le bouton de changement de mode pendant que l'outil fonctionne. L'outil serait endommagé.


REMARQUE : Pour éviter que le mécanisme de changement de mode ne s'use rapidement, vous devez toujours vous assurer que le bouton de changement de mode est placé avec exactitude sur l'une des positions du mode de fonctionnement.

Rotation avec martelage

Pour percer dans le béton, de la maçonnerie, etc., tournez le bouton de changement de mode jusqu'au symbole . Utilisez un foret à pointe de carbure.

► Fig.6: 1. Bouton de changement de mode

Rotation uniquement

Pour percer dans le bois, le métal ou des matériaux en plastique, tournez le bouton de changement de mode jusqu'au symbole . Utilisez un foret hélicoïdal ou à bois.

► Fig.7: 1. Bouton de changement de mode

ASSEMBLAGE

⚠ ATTENTION : Assurez-vous toujours que l'outil est hors tension et que sa batterie est retirée avant d'effectuer toute tâche dessus.

Poignée latérale (poignée auxiliaire)

⚠ ATTENTION : Utilisez toujours la poignée latérale pour garantir votre sécurité.

⚠ ATTENTION : Après avoir mis en place ou réglé la poignée latérale, assurez-vous qu'elle est solidement fixée.

Installez la poignée latérale de sorte que les rainures de la poignée pénètrent dans les parties saillantes du barillet de l'outil. Tournez la poignée dans le sens des aiguilles d'une montre pour la serrer en place. La poignée peut être fixée à l'angle souhaité.

► Fig.8: 1. Poignée latérale

Graisse

Enduisez au préalable l'extrémité de la tige du foret avec une petite quantité de graisse (environ 0,5 à 1 g). Cette lubrification du mandrin garantit un mouvement fluide et prolonge la durée de vie utile.

Pose ou retrait du foret

Nettoyez l'extrémité de la tige du foret et appliquez de la graisse avant de poser le foret.

► Fig.9: 1. Extrémité de la tige 2. Graisse

Insérez le foret dans l'outil. Tournez le foret et enfoncez-le jusqu'à ce qu'il s'engage.

Après avoir posé le foret, assurez-vous toujours qu'il est solidement maintenu en place en essayant de le sortir.

► Fig.10: 1. Foret

Pour retirer le foret, tirez le carter du mandrin à fond vers le bas puis dégagez le foret.

► Fig.11: 1. Foret 2. Carter du mandrin

Jauge de profondeur

La jauge de profondeur est utile pour percer des trous de même profondeur. Desserrez la poignée latérale et insérez la jauge de profondeur dans l'orifice sur la poignée latérale. Réglez la jauge de profondeur sur la profondeur désirée et serrez fermement la poignée latérale.

► Fig.12: 1. Orifice 2. Jauge de profondeur

NOTE : Assurez-vous que la jauge de profondeur n'entre pas en contact avec le corps principal de l'outil lorsque vous la fixez.

Collecteur de poussières

Accessoire en option

Utilisez le collecteur de poussières pour éviter que la poussière ne tombe sur l'outil et sur vous-même lorsque vous percez au-dessus de votre tête. Fixez le collecteur de poussières au foret comme illustré sur la figure. Le collecteur de poussières peut être fixé aux forets des tailles suivantes.

Modèle	Diamètre du foret
Collecteur de poussières 5	6 mm à 14,5 mm
Collecteur de poussières 9	12 mm à 16 mm

► **Fig.13:** 1. Collecteur de poussières

Ensemble du collecteur de poussières

Accessoire en option

Installation de l'ensemble du collecteur de poussières

REMARQUE : Si vous achetez l'ensemble du collecteur de poussières en tant qu'accessoire en option, la poignée latérale standard ne peut pas être utilisée avec l'ensemble du collecteur de poussières installé sur l'outil. Lorsque l'ensemble du collecteur de poussières est installé sur l'outil, retirez la poignée de la poignée latérale standard, puis fixez-la sur l'ensemble poignée en option.

► **Fig.14:** 1. Boulon 2. Poignée 3. Ensemble poignée en option

REMARQUE : N'utilisez pas l'ensemble du collecteur de poussières lorsque vous percez dans le métal ou un matériau similaire. Vous risqueriez d'endommager l'ensemble du collecteur de poussières en raison de la chaleur produite par les petites poussières métalliques ou similaires. N'installez pas, ni ne retirez l'ensemble du collecteur de poussières avec le foret inséré sur l'outil. Vous risqueriez d'endommager l'ensemble du collecteur de poussières et de provoquer une fuite de la poussière.

Avant d'installer l'ensemble du collecteur de poussières, retirez le foret de l'outil le cas échéant.

1. Installez l'entretoise de sorte que les rainures de l'entretoise pénètrent dans les parties saillantes du barillet de l'outil lorsque vous l'écartez. Prenez garde que le ressort ne se détache pas de la fente de l'entretoise.

► **Fig.15:** 1. Entretoise 2. Ressort

► **Fig.16**

2. Installez la poignée latérale (ensemble poignée en option et poignée retirée de la poignée latérale standard) de sorte que la rainure de la poignée pénètre dans la partie saillante de l'entretoise. Tournez la poignée dans le sens des aiguilles d'une montre pour la serrer en place.

► **Fig.17:** 1. Poignée latérale

3. Installez l'ensemble du collecteur de poussières de sorte que les griffes du collecteur de poussières pénètrent dans les fentes de l'entretoise.

► **Fig.18:** 1. Collecteur de poussières 2. Griffes

NOTE : Si vous raccordez un aspirateur à l'ensemble du collecteur de poussières, retirez le bouchon à poussière avant de le raccorder.

► **Fig.19:** 1. Bouchon à poussière

Retrait du foret

Pour retirer le foret, tirez le carter du mandrin à fond vers le bas puis dégagez le foret.

► **Fig.20:** 1. Foret 2. Carter du mandrin

Retrait de l'ensemble du collecteur de poussières

Procédez comme il est indiqué ci-dessous pour retirer l'ensemble du collecteur de poussières.

1. Desserrez la poignée latérale.

► **Fig.21:** 1. Poignée latérale

2. Tenez la base du collecteur de poussières et sortez-le.

► **Fig.22:** 1. Collecteur de poussières

NOTE : S'il s'avère difficile de retirer l'ensemble du collecteur de poussières, retirez les griffes du collecteur de poussières une par une en balançant et tirant sa base.

NOTE : Si le bouchon se détache du collecteur de poussières, fixez-le avec le côté imprimé tourné vers le haut de sorte que la rainure sur le bouchon s'insère dans la périphérie interne de l'accessoire.

► **Fig.23**

Crochet

Accessoire en option

ATTENTION : Retirez toujours la batterie lorsque l'outil est suspendu par son crochet.

ATTENTION : N'accrochez jamais l'outil à un endroit élevé ou potentiellement instable.

► **Fig.24:** 1. Rainure 2. Crochet 3. Vis

Le crochet est pratique pour suspendre provisoirement l'outil. Il s'installe d'un côté comme de l'autre de l'outil. Pour installer le crochet, insérez-le dans une rainure du carter de l'outil sur l'un des deux côtés, puis fixez-le avec une vis. Pour le retirer, desserrez la vis et enlevez-le.

UTILISATION

ATTENTION : Utilisez toujours la poignée latérale (poignée auxiliaire) et saisissez l'outil fermement par la poignée latérale et la poignée pistolet pendant l'utilisation.


ATTENTION : Avant l'utilisation, assurez-vous toujours que la pièce est bien fixée.

NOTE : En cas de faible température de la batterie, l'outil risque de ne pas fonctionner à sa pleine capacité. Dans ce cas, chauffez la batterie en utilisant l'outil sans charge pendant un instant pour obtenir la pleine capacité de l'outil.

► **Fig.25**

Perçage avec percussion

⚠ ATTENTION : Une très grande force de torsion s'exerce soudainement sur l'outil ou le foret lorsqu'il émerge sur la face opposée, lorsque le trou est bouché par des copeaux ou particules ou lors du contact avec des armatures dans le béton. **Utilisez toujours la poignée latérale (poignée auxiliaire) et saisissez l'outil fermement par la poignée latérale et la poignée pistolet pendant l'utilisation.** Si vous ne suivez pas cette directive, vous risquez de perdre la maîtrise de l'outil et de vous blesser grièvement.

Réglez le bouton de changement de mode sur le symbole . Placez le foret à l'emplacement désiré pour percer le trou, puis enclenchez la gâchette. Ne forcez pas l'outil. Vous obtiendrez de meilleurs résultats avec une légère pression. Gardez l'outil en position et empêchez-le de glisser hors du trou.

N'appliquez pas plus de pression lorsque le trou est bouché par des copeaux ou particules. Laissez plutôt l'outil tourner au ralenti et retirez partiellement le foret du trou. En répétant cette opération plusieurs fois, le trou se débouchera et vous pourrez reprendre le perçage normalement.

NOTE : Lorsque l'outil fonctionne à vide, il se peut que le foret tourne de manière excentrique. L'outil se centrera lui-même automatiquement lors de l'utilisation avec charge. La précision du perçage n'est donc pas affectée.

Perçage dans le bois ou le métal


⚠ ATTENTION : Tenez l'outil fermement et redoublez d'attention lorsque le foret commence à sortir par la face opposée de la pièce. Une très grande force s'exerce sur l'outil/foret lorsque celui-ci émerge sur la face opposée.

⚠ ATTENTION : Un foret coincé peut être retiré en réglant simplement l'inverseur sur la rotation inverse pour faire marche arrière. L'outil peut toutefois faire brusquement marche arrière si vous ne le tenez pas fermement.

⚠ ATTENTION : Immobilisez toujours les pièces à travailler dans un étau ou un dispositif de retenue similaire.

REMARQUE : N'utilisez jamais la « rotation avec martelage » lorsque le mandrin à foret est installé sur l'outil. Le mandrin à foret risquerait d'être endommagé. De plus, le mandrin à foret se détacherait lors de l'inversion de la rotation de l'outil.

REMARQUE : Une pression excessive sur l'outil n'accéléra pas le perçage. En fait, la pression excessive abîmera la pointe du foret, provoquera une baisse de rendement de l'outil et réduira sa durée de service.

Réglez le bouton de changement de mode sur le symbole . Fixez l'adaptateur de mandrin sur un mandrin à foret sans clé sur lequel peut être installée une vis de type 1/2"-20, puis installez-les sur l'outil. Pour l'installer, reportez-vous à la section « Pose ou retrait du foret ».

► **Fig.26:** 1. Ensemble mandrin à foret 2. Adaptateur de mandrin

Poire soufflante

Accessoire en option

Une fois le trou percé, utilisez la poire soufflante pour en retirer la poussière.

► **Fig.27**

ENTRETIEN

⚠ ATTENTION : Assurez-vous toujours que l'outil est hors tension et que la batterie est retirée avant d'y effectuer tout travail d'inspection ou d'entretien.

REMARQUE : N'utilisez jamais d'essence, benzine, diluant, alcool ou autre produit similaire. Cela risquerait de provoquer la décoloration, la déformation ou la fissuration de l'outil.

Pour assurer la SÉCURITÉ et la FIABILITÉ du produit, toute réparation, tout travail d'entretien ou de réglage doivent être effectués par un centre d'entretien Makita agréé, avec des pièces de rechange Makita.

ACCESSOIRES EN OPTION

⚠ ATTENTION : Ces accessoires ou pièces complémentaires sont recommandés pour l'utilisation avec l'outil Makita spécifié dans ce mode d'emploi. L'utilisation de tout autre accessoire ou pièce complémentaire peut comporter un risque de blessure. N'utilisez les accessoires ou pièces complémentaires qu'aux fins auxquelles ils ont été conçus.

Pour obtenir plus de détails sur ces accessoires, contactez votre centre d'entretien local Makita.

- Forets à pointe de carbure (forets à pointe de carbure SDS-plus)
- Adaptateur de mandrin
- Mandrin à foret sans clé
- Graisse à foret
- Jauge de profondeur
- Poire soufflante
- Collecteur de poussières
- Ensemble du collecteur de poussières
- Ensemble poignée
- Lunettes de sécurité
- Crochet
- Batterie et chargeur Makita d'origine
- Étui de transport en plastique

NOTE : Il se peut que certains éléments de la liste soient compris dans l'emballage de l'outil en tant qu'accessoires standard. Ils peuvent varier d'un pays à l'autre.

TECHNISCHE DATEN

Modell:		DHR171
Bohrkapazitäten	Beton	17 mm
	Stahl	10 mm
	Holz	13 mm
Leerlaufdrehzahl		0 - 680 min ⁻¹
Schlagzahl pro Minute		0 - 4.800 min ⁻¹
Gesamtlänge		273 mm
Nennspannung		18 V Gleichstrom
Standard-Akku		BL1815N / BL1820 / BL1820B / BL1830 / BL1830B / BL1840 / BL1840B / BL1850 / BL1850B / BL1860B
Nettogewicht		2,1 - 2,8 kg

- Wir behalten uns vor, Änderungen der technischen Daten im Zuge der Entwicklung und des technischen Fortschritts ohne vorherige Ankündigung vorzunehmen.
- Die technischen Daten und der Akku können von Land zu Land unterschiedlich sein.
- Das Gewicht kann abhängig von dem Aufsatz (den Aufsätzen), einschließlich des Akkus, unterschiedlich sein. Die leichteste und die schwerste Kombination, gemäß dem EPTA-Verfahren 01/2014, sind in der Tabelle angegeben.

Vorgesehene Verwendung

Das Werkzeug ist für Hammerbohren und Bohren in Ziegeln, Beton und Stein vorgesehen.
Es eignet sich auch für normales Bohren in Holz, Metall, Keramik und Kunststoff.

Geräusch

Typischer A-bewerteter Geräuschpegel ermittelt gemäß EN60745:

Schalldruckpegel (L_{pA}): 86 dB (A)
Schalleistungspegel (L_{WA}): 97 dB (A)
Messunsicherheit (K): 3 dB (A)

⚠️ WARNUNG: Einen Gehörschutz tragen.

Schwingungen

Schwingungsgesamtwert (Drei-Achsen-Vektorsumme) ermittelt gemäß EN60745:

Arbeitsmodus: Hammerbohren in Beton
Schwingungsemission ($a_{n,HD}$): 9,0 m/s²
Messunsicherheit (K): 1,5 m/s²

Arbeitsmodus: Bohren in Metall
Schwingungsemission ($a_{n,D}$): 2,5 m/s² oder weniger
Messunsicherheit (K): 1,5 m/s²

HINWEIS: Der angegebene Schwingungsemissionswert wurde im Einklang mit der Standardprüfmethode gemessen und kann für den Vergleich zwischen Werkzeugen herangezogen werden.

HINWEIS: Der angegebene Schwingungsemissionswert kann auch für eine Vorbewertung des Gefährdungsgrads verwendet werden.

⚠️ WARNUNG: Die Schwingungsemission während der tatsächlichen Benutzung des Werkzeugs kann je nach der Benutzungsweise des Werkzeugs vom angegebenen Emissionswert abweichen.

⚠️ WARNUNG: Identifizieren Sie Sicherheitsmaßnahmen zum Schutz des Benutzers anhand einer Schätzung des Gefährdungsgrads unter den tatsächlichen Benutzungsbedingungen (unter Berücksichtigung aller Phasen des Arbeitszyklus, wie z. B. Ausschalt- und Leerlaufzeiten des Werkzeugs zusätzlich zur Betriebszeit).

EG-Konformitätserklärung

Nur für europäische Länder

Die EG-Konformitätserklärung ist als Anhang A in dieser Bedienungsanleitung enthalten.

SICHERHEITSWARNUNGEN

Allgemeine Sicherheitswarnungen für Elektrowerkzeuge

⚠️ WARNUNG: Lesen Sie alle mit diesem Elektrowerkzeug gelieferten Sicherheitswarnungen, Anweisungen, Abbildungen und technischen Daten durch. Eine Missachtung der unten aufgeführten Anweisungen kann zu einem elektrischen Schlag, Brand und/oder schweren Verletzungen führen.

Bewahren Sie alle Warnungen und Anweisungen für spätere Bezugnahme auf.

Der Ausdruck „Elektrowerkzeug“ in den Warnhinweisen bezieht sich auf Ihr mit Netzstrom (mit Kabel) oder Akku (ohne Kabel) betriebenes Elektrowerkzeug.

SICHERHEITSWARNUNGEN FÜR AKKU-BOHRHAMMER

1. **Tragen Sie Gehörschützer.** Lärmeinwirkung kann Gehörschädigung verursachen.
2. **Benutzen Sie (einen) Zusatzgriff(e), sofern er (sie) mit dem Werkzeug geliefert wurde(n).** Verlust der Kontrolle kann Personenschäden verursachen.
3. **Halten Sie das Elektrowerkzeug an den isolierten Griffflächen, wenn Sie Arbeiten ausführen, bei denen die Gefahr besteht, dass das Schneidwerkzeug verborgene Kabel kontaktiert.** Bei Kontakt mit einem Strom führenden Kabel können die freiliegenden Metallteile des Elektrowerkzeugs ebenfalls Strom führend werden, so dass der Benutzer einen elektrischen Schlag erleiden kann.
4. **Tragen Sie Schutzhelm, Schutzbrille und/oder Gesichtsschutz. Eine gewöhnliche Brille oder Sonnenbrille ist KEIN Ersatz für eine Schutzbrille. Das Tragen einer Staubmaske und dick gepolsterter Handschuhe ist ebenfalls zu empfehlen.**
5. **Vergewissern Sie sich vor der Arbeit, dass der Einsatz sicher montiert ist.**
6. **Das Werkzeug erzeugt konstruktionsbedingt Vibrationen bei normalem Betrieb. Durch Lockerung von Schrauben kann es zu einem Ausfall oder Unfall kommen. Unterziehen Sie die Schrauben vor der Arbeit einer sorgfältigen Festigkeitsprüfung.**
7. **Lassen Sie das Werkzeug bei niedrigen Temperaturen oder nach längerer Nichtbenutzung eine Zeit lang im Leerlauf warm laufen. Dadurch wird die Schmierung verbessert. Betrieb im kalten Zustand erschwert die Schlagbohrarbeit.**
8. **Achten Sie stets auf sicheren Stand. Vergewissern Sie sich bei Einsatz des Werkzeugs an hochgelegenen Arbeitsplätzen, dass sich keine Personen darunter aufhalten.**
9. **Halten Sie das Werkzeug mit beiden Händen fest.**
10. **Halten Sie Ihre Hände von beweglichen Teilen fern.**
11. **Lassen Sie das Werkzeug nicht unbeaufsichtigt laufen. Benutzen Sie das Werkzeug nur mit Handhaltung.**
12. **Richten Sie das Werkzeug während des Betriebs nicht auf umstehende Personen. Der Einsatz könnte herausschnellen und schwere Verletzungen verursachen.**
13. **Vermeiden Sie eine Berührung des Einsatzes, der umliegenden Teile oder des Werkstücks unmittelbar nach der Bearbeitung, weil die Teile noch sehr heiß sind und Hautverbrennungen verursachen können.**

14. **Manche Materialien können giftige Chemikalien enthalten. Treffen Sie Vorsichtsmaßnahmen, um das Einatmen von Arbeitsstaub und Hautkontakt zu verhindern. Befolgen Sie die Sicherheitsdaten des Materiallieferanten.**
15. **Vergewissern Sie sich stets, das Werkzeug ausgeschaltet ist und der Akku und der Einsatz abgenommen sind, bevor Sie das Werkzeug einer anderen Person aushändigen.**

DIESE ANWEISUNGEN AUFBEWAHREN.

⚠️ WARNUNG: Lassen Sie sich NICHT durch Bequemlichkeit oder Vertrautheit mit dem Produkt (durch wiederholten Gebrauch erworben) von der strikten Einhaltung der Sicherheitsregeln für das vorliegende Produkt abhalten. **MISSBRAUCH** oder Missachtung der Sicherheitsvorschriften in dieser Anleitung können schwere Verletzungen verursachen.

Wichtige Sicherheitsanweisungen für Akku

1. **Lesen Sie vor der Benutzung des Akkus alle Anweisungen und Warnhinweise, die an (1) Ladegerät, (2) Akku und (3) Akkuwerkzeug angebracht sind.**
2. **Unterlassen Sie ein Zerlegen des Akkus.**
3. **Falls die Betriebszeit beträchtlich kürzer geworden ist, stellen Sie den Betrieb sofort ein. Anderenfalls besteht die Gefahr von Überhitzung, möglichen Verbrennungen und sogar einer Explosion.**
4. **Falls Elektrolyt in Ihre Augen gelangt, waschen Sie sie mit sauberem Wasser aus, und begeben Sie sich unverzüglich in ärztliche Behandlung. Anderenfalls können Sie Ihre Sehkraft verlieren.**
5. **Der Akku darf nicht kurzgeschlossen werden:**
 - (1) Die Kontakte dürfen nicht mit leitfähigem Material berührt werden.
 - (2) Lagern Sie den Akku nicht in einem Behälter zusammen mit anderen Metallgegenständen, wie z. B. Nägeln, Münzen usw.
 - (3) Setzen Sie den Akku weder Wasser noch Regen aus.**Ein Kurzschluss des Akkus verursacht starken Stromfluss, der Überhitzung, mögliche Verbrennungen und einen Defekt zur Folge haben kann.**
6. **Lagern Sie das Werkzeug und den Akku nicht an Orten, an denen die Temperatur 50 °C erreichen oder überschreiten kann.**
7. **Versuchen Sie niemals, den Akku zu verbrennen, selbst wenn er stark beschädigt oder vollkommen verbraucht ist. Der Akku kann im Feuer explodieren.**
8. **Achten Sie darauf, dass der Akku nicht fallen gelassen oder Stößen ausgesetzt wird.**
9. **Benutzen Sie keine beschädigten Akkus.**

10. **Die enthaltenen Lithium-Ionen-Akkus unterliegen den Anforderungen der Gefahrgut-Gesetzgebung.**
Für kommerzielle Transporte, z. B. durch Dritte oder Spediteure, müssen besondere Anforderungen zu Verpackung und Etikettierung beachtet werden.
Zur Vorbereitung des zu transportierenden Artikels ist eine Beratung durch einen Experten für Gefahrgut erforderlich. Bitte beachten Sie möglicherweise ausführlichere nationale Vorschriften. Überkleben oder verdecken Sie offene Kontakte, und verpacken Sie den Akku so, dass er sich in der Verpackung nicht umher bewegen kann.
11. **Befolgen Sie die örtlichen Bestimmungen bezüglich der Entsorgung von Akkus.**
12. **Verwenden Sie die Akkus nur mit den von Makita angegebenen Produkten.** Das Einsetzen der Akkus in nicht konforme Produkte kann zu einem Brand, übermäßiger Hitzebildung, einer Explosion oder Auslaufen von Elektrolyt führen.

DIESE ANWEISUNGEN AUFBEWAHREN.

⚠ VORSICHT: Verwenden Sie nur Original-Makita-Akkus. Die Verwendung von Nicht-Original-Makita-Akkus oder von Akkus, die abgeändert worden sind, kann zum Bersten des Akkus und daraus resultierenden Bränden, Personenschäden und Beschädigung führen. Außerdem wird dadurch die Makita-Garantie für das Makita-Werkzeug und -Ladegerät ungültig.

Hinweise zur Aufrechterhaltung der maximalen Akku-Nutzungsdauer

1. **Laden Sie den Akku, bevor er vollkommen erschöpft ist. Schalten Sie das Werkzeug stets aus, und laden Sie den Akku, wenn Sie ein Nachlassen der Werkzeulleistung feststellen.**
2. **Unterlassen Sie erneutes Laden eines voll aufgeladenen Akkus. Überladen führt zu einer Verkürzung der Nutzungsdauer des Akkus.**
3. **Laden Sie den Akku bei Raumtemperatur zwischen 10 – 40 °C. Lassen Sie einen heißen Akku abkühlen, bevor Sie ihn laden.**
4. **Der Akku muss geladen werden, wenn er lange Zeit (länger als sechs Monate) nicht benutzt wird.**

FUNKTIONSBESCHREIBUNG

⚠ VORSICHT: Vergewissern Sie sich vor der Durchführung von Einstellungen oder Funktionsprüfungen des Werkzeugs stets, dass das Werkzeug ausgeschaltet und der Akku abgenommen ist.

Anbringen und Abnehmen des Akkus

⚠ VORSICHT: Schalten Sie das Werkzeug stets aus, bevor Sie den Akku anbringen oder abnehmen.
⚠ VORSICHT: Halten Sie das Werkzeug und den Akku beim Anbringen oder Abnehmen des Akkus sicher fest. Wenn Sie das Werkzeug und den Akku nicht sicher festhalten, können sie Ihnen aus der Hand rutschen, was zu einer Beschädigung des Werkzeugs und des Akkus und zu Körperverletzungen führen kann.

► **Abb.1:** 1. Rote Anzeige 2. Knopf 3. Akku

Ziehen Sie den Akku zum Abnehmen vom Werkzeug ab, während Sie den Knopf an der Vorderseite des Akkus verschieben.
Richten Sie zum Anbringen des Akkus dessen Führungsfeder auf die Nut im Gehäuse aus, und schieben Sie den Akku hinein. Schieben Sie ihn vollständig ein, bis er mit einem hörbaren Klicken einrastet. Falls die rote Anzeige an der Oberseite des Knopfes sichtbar ist, ist der Akku nicht vollständig verriegelt.

⚠ VORSICHT: Schieben Sie den Akku stets bis zum Anschlag ein, bis die rote Anzeige nicht mehr sichtbar ist. Anderenfalls kann er aus dem Werkzeug herausfallen und Sie oder umstehende Personen verletzen.

⚠ VORSICHT: Unterlassen Sie Gewaltanwendung beim Anbringen des Akkus. Falls der Akku nicht reibungslos hineingleitet, ist er nicht richtig ausgerichtet.

Anzeigen der Akku-Restkapazität

Nur für Akkus mit Anzeige

► **Abb.2:** 1. Anzeigelampen 2. Prüftaste

Drücken Sie die Prüftaste am Akku, um die Akku-Restkapazität anzuzeigen. Die Anzeigelampen leuchten wenige Sekunden lang auf.

Anzeigelampen			Restkapazität
Erleuchtet	Aus	Blinkend	
■	□	▧	75 % bis 100 %
■ ■	□ □		50% bis 75%
■ ■	□ □		25% bis 50%
■	□ □ □		0% bis 25%
▧	□ □ □		Den Akku aufladen.
■ ■ □ □	□ □ ■ ■	↑ ↓	Möglicherweise liegt eine Funktionsstörung im Akku vor.

HINWEIS: Abhängig von den Benutzungsbedingungen und der Umgebungstemperatur kann die Anzeige geringfügig von der tatsächlichen Kapazität abweichen.

Werkzeug/Akku-Schutzsystem

Das Werkzeug ist mit einem Werkzeug/Akku-Schutzsystem ausgestattet. Dieses System schaltet die Stromversorgung des Motors automatisch ab, um die Lebensdauer von Werkzeug und Akku zu verlängern. Das Werkzeug bleibt während des Betriebs automatisch stehen, wenn das Werkzeug oder der Akku einer der folgenden Bedingungen unterliegt:

Überlastschutz

Wird der Akku auf eine Weise benutzt, die eine ungewöhnlich hohe Stromaufnahme bewirkt, bleibt das Werkzeug ohne jegliche Anzeige automatisch stehen. Schalten Sie in dieser Situation das Werkzeug aus, und brechen Sie die Arbeit ab, die eine Überlastung des Werkzeugs verursacht hat. Schalten Sie dann das Werkzeug wieder ein, um es neu zu starten.

Überhitzungsschutz

Wenn das Werkzeug oder der Akku überhitzt wird, bleibt das Werkzeug automatisch stehen, und die Lampe beginnt zu blinken. Lassen Sie das Werkzeug und den Akku in diesem Fall abkühlen, bevor Sie das Werkzeug wieder einschalten.

Überentladungsschutz

Wenn die Akkukapazität unzureichend wird, bleibt das Werkzeug automatisch stehen. Nehmen Sie in diesem Fall den Akku vom Werkzeug ab, und laden Sie ihn auf.

Schalterfunktion

⚠️ WARNUNG: Vergewissern Sie sich vor dem Einsetzen des Akkus in das Werkzeug stets, dass der Ein-Aus-Schalter ordnungsgemäß funktioniert und beim Loslassen in die AUS-Stellung zurückkehrt.

► **Abb.3:** 1. Ein-Aus-Schalter

Drücken Sie zum Einschalten des Werkzeugs einfach den Ein-Aus-Schalter. Die Drehzahl erhöht sich durch verstärkte Druckausübung auf den Ein-Aus-Schalter. Lassen Sie den Ein-Aus-Schalter zum Anhalten los.

Einschalten der Frontlampe

► **Abb.4:** 1. Auslöseschalter 2. Lampe

⚠️ VORSICHT: Blicken Sie nicht direkt in die Lampe oder die Lichtquelle.

Betätigen Sie den Ein-Aus-Schalter, um die Lampe einzuschalten. Die Lampe bleibt erleuchtet, solange der Ein-Aus-Schalter gedrückt gehalten wird. Die Lampe erlischt ungefähr 10 Sekunden nach dem Loslassen des Ein-Aus-Schalters.

HINWEIS: Wischen Sie Schmutz auf der Lampenlinse mit einem trockenen Tuch ab. Achten Sie sorgfältig darauf, dass Sie die Lampenlinse nicht verkratzen, weil sich sonst die Lichtstärke verringert.

Funktion des Drehrichtungsumschalters

► **Abb.5:** 1. Drehrichtungsumschalthebel

⚠️ VORSICHT: Prüfen Sie stets die Drehrichtung, bevor Sie mit der Arbeit beginnen.

⚠️ VORSICHT: Betätigen Sie den Drehrichtungsumschalter erst, nachdem das Werkzeug völlig zum Stillstand gekommen ist. Durch Umschalten der Drehrichtung bei noch laufendem Werkzeug kann das Werkzeug beschädigt werden.

⚠️ VORSICHT: Stellen Sie den Drehrichtungsumschalthebel stets auf die Neutralstellung, wenn Sie das Werkzeug nicht benutzen.


Dieses Werkzeug besitzt einen Drehrichtungsumschalter. Drücken Sie auf die Seite A des Drehrichtungsumschalthebels für Rechtsdrehung, und auf die Seite B für Linksdrehung. In der Neutralstellung des Drehrichtungsumschalthebels ist der Ein-Aus-Schalter verriegelt.

Wahl der Betriebsart

ANMERKUNG: Betätigen Sie den Betriebsart-Umschaltknopf nicht bei laufendem Werkzeug. Das Werkzeug kann sonst beschädigt werden.


ANMERKUNG: Um schnellen Verschleiß des Betriebsartwechselmechanismus zu vermeiden, vergewissern Sie sich, dass sich der Betriebsart-Umschaltknopf immer richtig in einer der Betriebsartpositionen befindet.

Schlagbohren

Für Bohren in Beton, Mauerwerk usw. drehen Sie den Betriebsart-Umschaltknopf auf das Symbol . Verwenden Sie einen Bohrereinsatz mit Hartmetallschneide.

► **Abb.6:** 1. Betriebsart-Umschaltknopf

Bohren

Für Bohren in Holz-, Metall- oder Kunststoffmaterial drehen Sie den Betriebsart-Umschaltknopf auf das Symbol . Verwenden Sie einen Spiralbohrer oder Holzbohrer.

► **Abb.7:** 1. Betriebsart-Umschaltknopf

MONTAGE

⚠️ VORSICHT: Vergewissern Sie sich vor der Ausführung von Arbeiten am Werkzeug stets, dass das Werkzeug ausgeschaltet und der Akku abgenommen ist.

Seitengriff (Zusatzgriff)

⚠ VORSICHT: Verwenden Sie stets den Seitengriff, um sicheren Betrieb zu gewährleisten.

⚠ VORSICHT: Vergewissern Sie sich nach dem Montieren oder Einstellen des Seitengriffs, dass er einwandfrei gesichert ist.

Montieren Sie den Seitengriff so, dass die Vorsprünge am Werkzeuggehäuse in die Nuten des Griffs eingreifen. Drehen Sie den Griff im Uhrzeigersinn, um ihn zu sichern. Der Griff kann in jedem gewünschten Winkel fixiert werden.

► **Abb.8:** 1. Seitengriff

Schmierfett

Tragen Sie vor der Arbeit eine kleine Menge Schmierfett (etwa 0,5 - 1 g) auf das Schaftende des Bohrereinsatzes auf. Diese Futterschmierung gewährleistet reibungslosen Betrieb und längere Lebensdauer.

Montage und Demontage des Bohrereinsatzes

Reinigen Sie das Schaftende des Bohrereinsatzes, und tragen Sie Schmierfett auf, bevor Sie den Bohrereinsatz montieren.

► **Abb.9:** 1. Schaftende 2. Schmierfett

Führen Sie den Bohrereinsatz in das Werkzeug ein. Drehen Sie den Bohrereinsatz, und drücken Sie ihn hinein, bis er einrastet. Vergewissern Sie sich nach dem Montieren des Bohrereinsatzes immer, dass der Bohrereinsatz sicher sitzt, indem Sie versuchen, ihn herauszuziehen.

► **Abb.10:** 1. Bohrereinsatz

Um den Bohrereinsatz zu entfernen, ziehen Sie die Futterabdeckung vollständig nach unten, und ziehen Sie den Bohrereinsatz heraus.

► **Abb.11:** 1. Bohrereinsatz 2. Futterabdeckung

Tiefenanschlag

Der Tiefenanschlag ist praktisch, um Löcher von gleicher Tiefe zu bohren. Lösen Sie den Seitengriff, und führen Sie den Tiefenanschlag in das Loch im Seitengriff ein. Den Tiefenanschlag auf die gewünschte Bohrtiefe einstellen, und den Seitengriff fest anziehen.

► **Abb.12:** 1. Loch 2. Tiefenanschlag

HINWEIS: Vergewissern Sie sich beim Anbringen, dass der Tiefenanschlag nicht den Hauptteil des Werkzeugs berührt.

Staubfangteller

Sonderzubehör

Verwenden Sie bei Überkopf-Bohrarbeiten den Staubfangteller, um zu verhindern, dass Staub auf Sie und das Werkzeug fällt. Bringen Sie den Staubfangteller so am Einsatz an, wie in der Abbildung gezeigt. Der Staubfangteller kann an Einsätzen der folgenden Größen angebracht werden.

Modell	Einsatzdurchmesser
Staubfangteller 5	6 mm - 14,5 mm
Staubfangteller 9	12 mm - 16 mm

► **Abb.13:** 1. Staubfangteller

Staubfangtellersatz

Sonderzubehör

Installieren des Staubfangtellersatzes

ANMERKUNG: Wenn Sie den Staubfangtellersatz als Sonderzubehör kaufen, kann der standardmäßige Seitengriff nicht verwendet werden, wenn der Staubfangtellersatz am Werkzeug montiert ist. Wenn der Staubfangtellersatz am Werkzeug installiert ist, entfernen Sie den Griff vom standardmäßigen Seitengriff, und bringen Sie ihn am optionalen Griffbasissatz an.

► **Abb.14:** 1. Schraube 2. Griff 3. Optionaler Griffbasissatz

ANMERKUNG: Benutzen Sie den Staubfangtellersatz nicht, wenn Sie in Metall oder ähnlichem Material bohren. Der Staubfangtellersatz kann sonst durch die von feinem Metallstaub o. Ä. erzeugten Wärme beschädigt werden. Unterlassen Sie das Montieren oder Demontieren des Staubfangtellersatzes, wenn der Bohrereinsatz im Werkzeug montiert ist. Sonst kann der Staubfangtellersatz beschädigt und ein Staubleck verursacht werden.

Bevor Sie den Staubfangtellersatz anbringen, entfernen Sie den Einsatz vom Werkzeug, falls einer montiert ist.

1. Montieren Sie die Distanzhülse bei gleichzeitigem Erweitern so, dass die Vorsprünge am Werkzeuggehäuse in die Nuten der Distanzhülse eingreifen. Achten Sie darauf, dass sich die Feder nicht aus dem Schlitz der Distanzhülse löst.

► **Abb.15:** 1. Distanzhülse 2. Feder

► **Abb.16**

2. Montieren Sie den Seitengriff (optionaler Griffbasissatz und Griff vom standardmäßigen Seitengriff entfernt) so, dass der Vorsprung an der Distanzhülse in die Nut des Griffs eingreift. Drehen Sie den Griff im Uhrzeigersinn, um ihn zu sichern.

► **Abb.17:** 1. Seitengriff

3. Montieren Sie den Staubfangtellersatz so, dass die Klauen des Staubfangtellers in die Schlitz der Distanzhülse eingreifen.

► **Abb.18:** 1. Staubfangteller 2. Klauen

HINWEIS: Wenn Sie ein Saugergerät an den Staubfangtellersatz anschließen, entfernen Sie den Staubfangteller vor dem Anschließen.

► **Abb.19:** 1. Staubkappe

Demontieren des Bohrereinsatzes

Um den Bohrereinsatz zu entfernen, ziehen Sie die Futterabdeckung vollständig nach unten, und ziehen Sie den Bohrereinsatz heraus.

► **Abb.20:** 1. Einsatz 2. Futterabdeckung

Demontieren des Staubfangtellersatzes

Folgen Sie den nachstehenden Schritten zum Demontieren des Staubfangtellersatzes.

1. Lösen Sie den Seitengriff.
► **Abb.21:** 1. Seitengriff
2. Halten Sie den Staubfangteller am Ansatz, und ziehen Sie ihn heraus.
► **Abb.22:** 1. Staubfangteller

HINWEIS: Falls das Demontieren des Staubfangtellersatzes schwierig ist, entfernen Sie die Klauen des Staubfangtellers nacheinander, indem Sie den Ansatz des Staubfangtellers schwenken und ziehen.

HINWEIS: Falls sich die Kappe vom Staubfangteller löst, bringen Sie sie mit der bedruckten Seite nach oben so an, dass die Nut der Kappe auf den Innenrand des Aufsatzes passt.

► **Abb.23**

Aufhänger

Sonderzubehör

⚠ VORSICHT: Nehmen Sie stets den Akku ab, wenn Sie das Werkzeug am Aufhänger aufhängen.

⚠ VORSICHT: Hängen Sie das Werkzeug auf keinen Fall an hoch gelegenen Stellen oder an einer potentiell instabilen Fläche auf.

► **Abb.24:** 1. Nut 2. Aufhänger 3. Schraube

Der Aufhänger ist praktisch, um das Werkzeug vorübergehend aufzuhängen. Dieser kann auf beiden Seiten des Werkzeugs angebracht werden.

Um den Aufhänger anzubringen, führen Sie ihn in die Nut entweder auf der linken oder rechten Seite des Werkzeuggehäuses ein, und sichern Sie ihn dann mit einer Schraube. Um ihn zu entfernen, lösen Sie die Schraube, und nehmen Sie dann ihn heraus.

BETRIEB

⚠ VORSICHT: Montieren Sie stets den Seitengriff (Zusatzgriff), und halten Sie das Werkzeug während der Arbeit mit beiden Händen am Seitengriff und Schaltergriff fest.

⚠ VORSICHT: Vergewissern Sie sich vor der Arbeit immer, dass das Werkstück gesichert ist.

HINWEIS: Wenn der Akku kalt ist, kann nicht die volle Leistungsfähigkeit des Werkzeugs erhalten werden. Erwärmen Sie in diesem Fall den Akku, indem Sie das Werkzeug eine Weile bei Nulllast laufen lassen, um die volle Leistungsfähigkeit des Werkzeugs zu erhalten.

► **Abb.25**

Hammerbohren

⚠ VORSICHT: Beim Durchbruch der Bohrung, bei Verstopfung der Bohrung mit Spänen und Partikeln, oder beim Auftreffen auf Betonstahl wirkt eine starke, plötzliche Drehkraft auf Werkzeug und Bohrereinsatz. **Montieren Sie stets den Seitengriff (Zusatzgriff), und halten Sie das Werkzeug während der Arbeit mit beiden Händen am Seitengriff und Schaltergriff fest.** Eine Missachtung dieser Vorsichtsmaßnahme kann den Verlust der Kontrolle über das Werkzeug und mögliche schwere Verletzungen zur Folge haben.

Stellen Sie den Betriebsart-Umschaltknopf auf die Position des Symbols .

Setzen Sie den Bohrereinsatz auf die gewünschte Bohrstelle, und drücken Sie dann den Auslöseschalter. Üben Sie keinen übermäßigen Druck auf das Werkzeug aus. Leichter Druck liefert die besten Ergebnisse. Halten Sie das Werkzeug in Position, und vermeiden Sie Abrutschen vom Loch.

Üben Sie keinen stärkeren Druck aus, wenn das Bohrloch mit Spänen oder Bohrmehl zugesetzt wird. Lassen Sie statt dessen das Werkzeug leer laufen, und ziehen Sie dann den Bohrereinsatz teilweise aus dem Bohrloch heraus. Durch mehrmaliges Wiederholen dieses Vorgangs wird das Bohrloch ausgeräumt, so dass der normale Bohrbetrieb fortgesetzt werden kann.

HINWEIS: Es kann zu einer Rundlaufabweichung in der Bohrereinsatzdrehung kommen, wenn das Werkzeug mit Nulllast betrieben wird. Während des Betriebs zentriert sich das Werkzeug automatisch. Dies hat keinen Einfluss auf die Bohrgenauigkeit.

Bohren in Holz oder Metall


⚠ VORSICHT: Halten Sie daher das Werkzeug mit festem Griff und lassen Sie Vorsicht walten, wenn der Bohrereinsatz im Begriff ist, aus dem Werkstück auszutreten. Beim Bohrungsdurchbruch wirkt ein hohes Rückdrehmoment auf Werkzeug und Bohrereinsatz.

⚠ VORSICHT: Ein festsitzender Bohrereinsatz lässt sich durch einfaches Umschalten der Drehrichtung wieder herausdrehen. Dabei sollten Sie aber das Werkzeug gut festhalten, damit es nicht ruckartig herausgestoßen wird.

⚠ VORSICHT: Spannen Sie Werkstücke stets in einen Schraubstock oder eine ähnliche Aufspannvorrichtung ein.

ANMERKUNG: Verwenden Sie keinesfalls die Betriebsart „Schlagbohren“, wenn das Bohrfutter am Werkzeug angebracht ist. Das Bohrfutter kann sonst beschädigt werden. Außerdem löst sich das Bohrfutter beim Umschalten der Drehrichtung.

ANMERKUNG: Übermäßige Druckausübung auf das Werkzeug bewirkt keine Beschleunigung der Bohrleistung. Im Gegenteil; übermäßiger Druck führt zu einer Beschädigung der Spitze des Bohrereinsatzes und damit zu einer Verringerung der Leistungsfähigkeit sowie zu einer Verkürzung der Lebensdauer des Werkzeugs.

Stellen Sie den Betriebsart-Umschaltknopf auf die Position des Symbols .
Bringen Sie den Futteradapter an einem schlüssellosen Bohrfutter an, an dem eine Schraube der Größe 1/2"-20 montiert werden kann, und montieren Sie dann die Teile am Werkzeug. Nehmen Sie zur Montage auf den Abschnitt „Montage und Demontage des Bohrereinsatzes“ Bezug.
► **Abb.26:** 1. Bohrfuttereinheit 2. Futteradapter

HINWEIS: Manche Teile in der Liste können als Standardzubehör im Werkzeugsatz enthalten sein. Sie können von Land zu Land unterschiedlich sein.

Ausblaspipette

Sonderzubehör

Blasen Sie den Staub nach dem Bohren des Lochs mit einer Ausblaspipette aus dem Loch.

► **Abb.27**

WARTUNG

⚠ VORSICHT: Vergewissern Sie sich vor der Durchführung von Inspektions- oder Wartungsarbeiten stets, dass das Werkzeug ausgeschaltet und der Akku abgenommen ist.

ANMERKUNG: Verwenden Sie auf keinen Fall Benzin, Waschbenzin, Verdünnern, Alkohol oder dergleichen. Solche Mittel können Verfärbung, Verformung oder Rissbildung verursachen.

Um die SICHERHEIT und ZUVERLÄSSIGKEIT dieses Produkts zu gewährleisten, sollten Reparaturen und andere Wartungs- oder Einstellarbeiten nur von Makita-Vertragswerkstätten oder Makita-Kundendienstzentren unter ausschließlicher Verwendung von Makita-Originalersatzteilen ausgeführt werden.

SONDERZUBEHÖR

⚠ VORSICHT: Die folgenden Zubehörteile oder Vorrichtungen werden für den Einsatz mit dem in dieser Anleitung beschriebenen Makita-Werkzeug empfohlen. Die Verwendung anderer Zubehörteile oder Vorrichtungen kann eine Verletzungsgefahr darstellen. Verwenden Sie Zubehörteile oder Vorrichtungen nur für ihren vorgesehenen Zweck.

Wenn Sie weitere Einzelheiten bezüglich dieser Zubehörteile benötigen, wenden Sie sich bitte an Ihre Makita-Kundendienststelle.

- Bohrereinsätze mit Hartmetallschneide (SDS-plus-Einsätze mit Hartmetallschneide)
- Futteradapter
- Schlüsselloses Bohrfutter
- Bohrerfett
- Tiefenanschlag
- Ausblaspipette
- Staubfangteller
- Staubfangtellersatz
- Griffbasissatz
- Schutzbrille
- Aufhänger
- Original-Makita-Akku und -Ladegerät
- Plastikkoffer

DATI TECNICI

Modello:		DHR171
Capacità di perforazione	Cemento	17 mm
	Acciaio	10 mm
	Legno	13 mm
Velocità a vuoto		0 - 680 min ⁻¹
Colpi al minuto		0 - 4.800 min ⁻¹
Lunghezza complessiva		273 mm
Tensione nominale		18 V CC
Cartuccia della batteria standard		BL1815N / BL1820 / BL1820B / BL1830 / BL1830B / BL1840 / BL1840B / BL1850 / BL1850B / BL1860B
Peso netto		2,1 - 2,8 kg

- A causa del nostro programma continuativo di ricerca e sviluppo, i dati tecnici sono soggetti a modifiche senza preavviso.
- I dati tecnici e la cartuccia della batteria potrebbero differire da nazione a nazione.
- Il peso può variare a seconda dell'accessorio o degli accessori, inclusa la cartuccia della batteria. La combinazione più leggera e quella più pesante, secondo la procedura EPTA 01/2014, sono indicate nella tabella.

Uso previsto

Questo utensile è destinato alla foratura a percussione e normale di mattoni, calcestruzzo e pietra. L'utensile è anche adatto alla foratura senza impulsi di legno, metallo, ceramica e plastica.

Rumore

Livello tipico di rumore pesato A determinato in base allo standard EN60745:

Livello di pressione sonora (L_{pA}): 86 dB (A)

Livello di potenza sonora (L_{WA}): 97 dB (A)

Incertezza (K): 3 dB (A)

AVVERTIMENTO: Indossare protezioni per le orecchie.

Vibrazioni

Valore totale delle vibrazioni (somma vettoriale triassiale) determinato in base allo standard EN60745:

Modalità di lavoro: foratura a percussione del calcestruzzo

Emissione di vibrazioni ($a_{h,HD}$): 9,0 m/s²

Incertezza (K): 1,5 m/s²

Modalità di lavoro: foratura nel metallo

Emissione di vibrazioni ($a_{h,D}$): 2,5 m/s² o inferiore

Incertezza (K): 1,5 m/s²

NOTA: Il valore di emissione delle vibrazioni dichiarato è stato misurato in conformità al metodo standard di verifica, e può essere utilizzato per confrontare un utensile con un altro.

NOTA: Il valore di emissione delle vibrazioni dichiarato può venire utilizzato anche per una valutazione preliminare dell'esposizione.

AVVERTIMENTO: L'emissione delle vibrazioni durante l'utilizzo effettivo dell'utensile elettrico può variare rispetto al valore di emissione dichiarato, a seconda dei modi in cui viene utilizzato l'utensile.

AVVERTIMENTO: Accertarsi di identificare le misure di sicurezza per la protezione dell'operatore basate sulla stima dell'esposizione nelle condizioni effettive di utilizzo (tenendo presente tutte le parti del ciclo operativo, ad esempio le volte in cui l'utensile viene spento e quando gira a vuoto, oltre al tempo di attivazione).

Dichiarazione di conformità CE

Solo per i paesi europei

La dichiarazione di conformità CE è inclusa nell'Allegato A al presente manuale di istruzioni.

AVVERTENZE DI SICUREZZA

Avvertenze generali relative alla sicurezza dell'utensile elettrico

AVVERTIMENTO: Leggere tutte le avvertenze di sicurezza, le istruzioni, le illustrazioni e i dati tecnici forniti con il presente utensile elettrico. La mancata osservanza di tutte le istruzioni elencate di seguito potrebbe risultare in scosse elettriche, incendi e/o gravi lesioni personali.

Conservare tutte le avvertenze e le istruzioni come riferimento futuro.

Il termine "utensile elettrico" nelle avvertenze si riferisce sia all'utensile elettrico (cablato) nel funzionamento alimentato da rete elettrica che all'utensile elettrico (a batteria) nel funzionamento alimentato a batteria.

AVVERTENZE PER LA SICUREZZA DEL MARTELLO ROTATIVO A BATTERIA

- 1. Indossare protezioni per le orecchie.**
L'esposizione al rumore può causare la perdita dell'udito.
- 2. Utilizzare la maniglia o le maniglie ausiliarie, se in dotazione con l'utensile.** La perdita di controllo può causare lesioni personali.
- 3. Mantenere l'utensile elettrico mediante le superfici di impugnature isolate, quando si intende eseguire un'operazione in cui l'accessorio da taglio potrebbe entrare in contatto con cablaggi nascosti.** Qualora l'accessorio da taglio entri in contatto con un cavo sotto tensione, potrebbe mettere sotto tensione le parti metalliche esposte dell'utensile elettrico e trasmettere una scossa elettrica all'operatore.
- 4. Indossare un casco (elmetto di protezione), occhiali di sicurezza e/o una visiera.** I normali occhiali da vista o da sole **NON** sono occhiali di sicurezza. Inoltre, si consiglia caldamente di indossare una mascherina antipolvere e guanti dall'imbottitura spessa.
- 5. Accertarsi che la punta sia fissata saldamente in sede prima dell'utilizzo.**
- 6. Nell'utilizzo normale, l'utensile è progettato per produrre vibrazioni.** Le viti potrebbero allentarsi facilmente, causando un guasto o un incidente. Controllare con cura che le viti siano serrate prima dell'uso.
- 7. In condizioni di bassa temperatura o quando l'utensile non è stato utilizzato per un periodo di tempo prolungato, lasciar riscaldare l'utensile per un po' di tempo facendolo funzionare a vuoto.** Questa operazione ammorbidisce il lubrificante. Senza un appropriato riscaldamento, l'operazione di percussione risulta difficile.
- 8. Accertarsi sempre di appoggiare i piedi saldamente.** Quando si intende utilizzare l'utensile in ubicazioni elevate, accertarsi sempre che non sia presente alcuna persona sotto.
- 9. Tenere l'utensile saldamente con entrambe le mani.**
- 10. Tenere le mani lontane dalle parti mobili.**
- 11. Non lasciare l'utensile mentre sta funzionando.** Far funzionare l'utensile solo mentre lo si tiene in mano.
- 12. Non puntare l'utensile verso alcuna persona nelle vicinanze durante l'uso.** La punta potrebbe volare via e causare gravi lesioni personali.

- 13. Non toccare la punta, le parti vicine alla punta o il pezzo in lavorazione, subito dopo l'uso;** potrebbero essere estremamente caldi e causare ustioni sulla pelle.
- 14. Alcuni materiali contengono sostanze chimiche che potrebbero essere tossiche.** Fare attenzione a evitare l'inalazione della polvere e il contatto con la pelle. Attenersi ai dati relativi alla sicurezza del fornitore del materiale.
- 15. Prima di consegnare l'utensile ad altre persone, accertarsi sempre che l'utensile sia spento e che la cartuccia della batteria e la punta siano state rimosse.**

CONSERVARE LE PRESENTI ISTRUZIONI.

⚠AVVERTIMENTO: NON lasciare che la comodità o la familiarità d'uso con il prodotto (acquisita con l'uso ripetuto) sostituiscano la stretta osservanza delle norme di sicurezza. L'USO IMPROPRIO o la mancata osservanza delle norme di sicurezza riportate nel presente manuale manuale di istruzioni potrebbero causare lesioni personali gravi.

Istruzioni di sicurezza importanti per la cartuccia della batteria

- 1. Prima di utilizzare la cartuccia della batteria, leggere tutte le istruzioni e le avvertenze riportate (1) sul caricabatteria, (2) sulla batteria e (3) sul prodotto che utilizza la batteria.**
- 2. Non smontare la cartuccia della batteria.**
- 3. Qualora il tempo di utilizzo si riduca eccessivamente, interrompere immediatamente l'utilizzo dell'utensile.** In caso contrario, si può incorrere nel rischio di surriscaldamento, possibili ustioni e persino un'esplosione.
- 4. Qualora l'elettrolita entri in contatto con gli occhi, sciacquarli con acqua pulita e richiedere immediatamente assistenza medica.** Questa eventualità può risultare nella perdita della vista.
- 5. Non cortocircuitare la cartuccia della batteria:**
 - (1) Non toccare i terminali con alcun materiale conduttivo.**
 - (2) Evitare di conservare la cartuccia della batteria in un contenitore insieme ad altri oggetti metallici quali chiodi, monete, e così via.**
 - (3) Non esporre la cartuccia della batteria all'acqua o alla pioggia.**Un cortocircuito della batteria può causare un grande flusso di corrente, un surriscaldamento, possibili ustioni e persino un guasto.
- 6. Non conservare l'utensile e la cartuccia della batteria in ubicazioni in cui la temperatura possa raggiungere o superare i 50°C.**
- 7. Non incenerire la cartuccia della batteria anche qualora sia gravemente danneggiata o completamente esaurita.** La cartuccia della batteria può esplodere se a contatto con il fuoco.
- 8. Fare attenzione a non far cadere e a non colpire la batteria.**

9. Non utilizzare una batteria danneggiata.
10. Le batterie a ioni di litio contenute sono soggette ai requisiti del regolamento sul trasporto di merci pericolose (Dangerous Goods Legislation).

Per trasporti commerciali, ad esempio da parte di terzi o spedizionieri, è necessario osservare dei requisiti speciali sull'imballaggio e sull'etichetta. Per la preparazione dell'articolo da spedire, è richiesta la consulenza di un esperto in materiali pericolosi. Attenersi anche alle normative nazionali, che potrebbero essere più dettagliate. Nastrare o coprire i contatti aperti e imballare la batteria in modo tale che non si possa muovere liberamente all'interno dell'imballaggio.

11. Attenersi alle normative locali relative allo smaltimento della batteria.
12. Utilizzare le batterie esclusivamente con i prodotti specificati da Makita. L'installazione delle batterie in prodotti non compatibili potrebbe risultare in incendi, calore eccessivo, esplosioni o perdite di liquido elettrolitico.

CONSERVARE LE PRESENTI ISTRUZIONI.

ATTENZIONE: Utilizzare solo batterie originali Makita. L'utilizzo di batterie Makita non originali, o di batterie che siano state alterate, potrebbe risultare nello scoppio della batteria, causando incendi, lesioni personali e danni. Inoltre, ciò potrebbe invalidare la garanzia Makita per l'utensile e il caricabatterie Makita.

Suggerimenti per preservare la durata massima della batteria

1. Caricare la cartuccia della batteria prima che si scarichi completamente. Smettere sempre di utilizzare l'utensile e caricare la cartuccia della batteria quando si nota che la potenza dell'utensile è diminuita.
2. Non ricaricare mai una cartuccia della batteria completamente carica. La sovraccarica riduce la vita utile della batteria.
3. Caricare la cartuccia della batteria a una temperatura ambiente compresa tra 10°C e 40°C. Lasciar raffreddare una cartuccia della batteria prima di caricarla.
4. Caricare la cartuccia della batteria se non la si è utilizzata per un periodo di tempo prolungato (più di sei mesi).

DESCRIZIONE DELLE FUNZIONI

ATTENZIONE: Accertarsi sempre che l'utensile sia spento e che la cartuccia della batteria sia stata rimossa prima di regolare o di controllare il funzionamento dell'utensile.

Installazione o rimozione della cartuccia della batteria

ATTENZIONE: Spegnerne sempre l'utensile prima di installare o rimuovere la cartuccia della batteria.

ATTENZIONE: Mantenere saldamente lo strumento e la batteria quando si intende installare o rimuovere la cartuccia della batteria. Qualora non si mantengano saldamente lo strumento e la cartuccia della batteria, questi ultimi potrebbero scivolare dalle mani, con la possibilità di causare un danneggiamento dello strumento e della cartuccia della batteria, nonché una lesione personale.

► Fig.1: 1. Indicatore rosso 2. Pulsante 3. Cartuccia della batteria

Per rimuovere la cartuccia della batteria, farla scorrere via dall'utensile mentre si fa scorrere allo stesso tempo il pulsante sulla parte anteriore della cartuccia.

Per installare la cartuccia della batteria, allineare l'appendice della batteria con la scanalatura nell'alloggiamento e farla scivolare in sede. Inserirla completamente fino al suo blocco in sede con un leggero scatto. Se è possibile vedere l'indicatore rosso sul lato superiore del pulsante, la batteria non è bloccata completamente.

ATTENZIONE: Installare sempre fino in fondo la cartuccia della batteria, fino a quando l'indicatore rosso non è più visibile. In caso contrario, la batteria potrebbe cadere accidentalmente dall'utensile, causando lesioni personali all'operatore o a chi gli è vicino.

ATTENZIONE: Non installare forzatamente la cartuccia della batteria. Qualora la batteria non si inserisca scorrendo agevolmente, vuol dire che non viene inserita correttamente.

Indicazione della carica residua della batteria

Solo per cartucce delle batterie dotate di indicatore

► Fig.2: 1. Indicatori luminosi 2. Pulsante di controllo

Premere il pulsante di controllo sulla cartuccia della batteria per indicare la carica residua della batteria. Gli indicatori luminosi si illuminano per alcuni secondi.

Indicatori luminosi			Carica residua
■ Illuminato	□ Spento	▧ Lampeggiante	
■ ■ ■ ■ ■			Dal 75% al 100%
■ ■ ■ □			Dal 50% al 75%
■ ■ □ □			Dal 25% al 50%

Indicatori luminosi			Carica residua
■	□	▣	
Illuminato	Spento	Lampeggiante	
■	□ □ □ □		Dallo 0% al 25%
▣	□ □ □ □		Caricare la batteria.
■ ■ □ □	□ □ □ □		La batteria potrebbe essersi guastata.
□ □ ■ ■	□ □ □ □		

NOTA: A seconda delle condizioni d'uso e della temperatura ambiente, l'indicazione potrebbe variare leggermente rispetto alla carica effettiva.

Sistema di protezione strumento/batteria

L'utensile è dotato di un sistema di protezione dell'utensile stesso e della batteria. Tale sistema interrompe automaticamente l'alimentazione al motore per prolungare la vita utile dell'utensile e della batteria. L'utensile si arresta automaticamente durante il funzionamento, qualora l'utensile o la batteria vengano a trovarsi in una delle condizioni seguenti:

Protezione dal sovraccarico

Quando la batteria viene utilizzata in modo tale da causare un assorbimento di corrente elevato in modo anomalo, l'utensile si arresta automaticamente senza alcuna indicazione. In questa situazione, spegnere l'utensile e interrompere l'applicazione che ha fatto sovraccaricare l'utensile. Quindi, accendere l'utensile per ricominciare.

Protezione dal surriscaldamento

Quando l'utensile o la batteria sono surriscaldati, l'utensile si arresta automaticamente e la lampada lampeggia. In tal caso, lasciar raffreddare l'utensile e la batteria prima di riaccendere l'utensile.

Protezione dalla sovrascarica

Quando la carica della batteria non è sufficiente, l'utensile si arresta automaticamente. In tal caso, rimuovere la batteria dall'utensile e caricarla.

Funzionamento dell'interruttore

AVVERTIMENTO: Prima di inserire la cartuccia della batteria nell'utensile, controllare sempre che l'interruttore a grilletto funzioni correttamente e torni sulla posizione "OFF" quando viene rilasciato.

► Fig.3: 1. Interruttore a grilletto

Per avviare l'utensile, è sufficiente premere l'interruttore a grilletto. La velocità dell'utensile viene aumentata incrementando la pressione sull'interruttore a grilletto. Rilasciare l'interruttore a grilletto per arrestare l'utensile.

Accensione della lampadina anteriore

► Fig.4: 1. Interruttore a grilletto 2. Lampadina

ATTENZIONE: Non osservare né guardare direttamente la fonte di luce.

Premere l'interruttore a grilletto per accendere la lampadina. La lampadina resta accesa fintanto che l'interruttore a grilletto è premuto. La lampadina si spegne circa 10 secondi dopo che si è rilasciato l'interruttore a grilletto.

NOTA: Per pulire la sporcizia dalla lente della lampadina, utilizzare un panno asciutto. Fare attenzione a non graffiare la lente della lampadina, altrimenti si potrebbe ridurre l'illuminazione.

Uso del commutatore di inversione della rotazione

► Fig.5: 1. Leva del commutatore di inversione della rotazione

ATTENZIONE: Controllare sempre la direzione di rotazione prima dell'uso.

ATTENZIONE: Utilizzare il commutatore di inversione della rotazione solo dopo l'arresto completo dell'utensile. Qualora si cambi la direzione di rotazione prima dell'arresto dell'utensile, si potrebbe danneggiare quest'ultimo.

ATTENZIONE: Quando l'utensile non è in uso, impostare sempre la leva del commutatore di inversione della rotazione sulla posizione centrale.


Questo utensile è dotato di un commutatore di inversione della rotazione, per cambiare la direzione di rotazione. Premere la leva del commutatore di inversione della rotazione dal lato A per la rotazione in senso orario, o dal lato B per la rotazione in senso antiorario. Quando la leva del commutatore di inversione della rotazione si trova sulla posizione centrale, non è possibile premere l'interruttore a grilletto.

Selezione della modalità operativa

AVVISO: Non ruotare la manopola di modifica della modalità operativa mentre l'utensile è in funzione. In caso contrario, l'utensile viene danneggiato.


AVVISO: Per evitare una rapida usura del meccanismo di modifica della modalità, accertarsi che la manopola di modifica della modalità operativa sia sempre posizionata con precisione in una delle posizioni delle modalità operative.

Rotazione con percussione

Per forare calcestruzzo, muratura, e così via, ruotare la manopola di modifica della modalità operativa sul simbolo . Utilizzare una punta per trapano rivestita in carburo.

► Fig.6: 1. Manopola di modifica della modalità operativa

Solo rotazione

Per forare legno, metallo o materiali in plastica, ruotare la manopola di modifica della modalità operativa sul simbolo . Utilizzare una punta per trapano elicoidale o una punta per trapano per legno.

► **Fig.7:** 1. Manopola di modifica della modalità operativa

MONTAGGIO

ATTENZIONE: Accertarsi sempre che l'utensile sia spento e che la cartuccia della batteria sia stata rimossa, prima di effettuare qualsiasi intervento sull'utensile.

Impugnatura laterale (maniglia ausiliaria)

ATTENZIONE: Utilizzare sempre l'impugnatura laterale per garantire un funzionamento in sicurezza.

ATTENZIONE: Dopo aver installato o regolato l'impugnatura laterale, accertarsi che quest'ultima sia fissata saldamente.

Installare l'impugnatura laterale in modo che le scanalature sull'impugnatura si inseriscano nelle sporgenze presenti sul cilindro dell'utensile. Ruotare l'impugnatura in senso orario per fissarla. È possibile fissare l'impugnatura all'angolazione desiderata.

► **Fig.8:** 1. Impugnatura laterale

Grasso

Ricoprire anticipatamente l'estremità con il gambo della punta per trapano con una piccola quantità di grasso (circa 0,5 - 1 g).

Questa lubrificazione del mandrino assicura un azionamento fluido e ne prolunga la vita utile.

Installazione o rimozione della punta per trapano

Pulire l'estremità con il gambo della punta per trapano e applicare il grasso prima di installare la punta per trapano.

► **Fig.9:** 1. Estremità con il gambo 2. Grasso

Inserire la punta per trapano nell'utensile. Ruotare la punta per trapano e premerla verso l'interno fino a quando si innesta.

Dopo aver installato la punta per trapano, accertarsi sempre che quest'ultima sia fissata saldamente in sede provando a tirarla fuori.

► **Fig.10:** 1. Punta per trapano

Per rimuovere la punta per trapano, tirare giù fino in fondo la copertura del mandrino ed estrarre la punta per trapano.

► **Fig.11:** 1. Punta per trapano 2. Copertura del mandrino

Calibro di profondità

Il calibro di profondità è comodo per praticare fori di profondità uniforme. Allentare l'impugnatura laterale, quindi inserire il calibro di profondità nel foro presente sull'impugnatura laterale. Regolare il calibro di profondità sulla profondità desiderata e serrare saldamente l'impugnatura laterale.

► **Fig.12:** 1. Foro 2. Calibro di profondità

NOTA: Accertarsi che il calibro di profondità non tocchi il corpo principale dell'utensile quando lo si monta.

Coppa raccogli polvere

Accessorio opzionale

Utilizzare la coppa raccogli polvere per evitare che la polvere cada sull'utensile e sull'operatore quando si effettuano operazioni di perforazione al di sopra della testa. Montare la coppa raccogli polvere sulla punta come indicato nella figura. Le dimensioni delle punte su cui è possibile montare la coppa raccogli polvere sono le seguenti.

Modello	Diametro della punta
Coppa raccogli polvere 5	Da 6 mm a 14,5 mm
Coppa raccogli polvere 9	Da 12 mm a 16 mm

► **Fig.13:** 1. Coppa raccogli polvere

Kit coppa raccogli polvere

Accessorio opzionale

Installazione del kit coppa raccogli polvere

AVVISO: Se si acquista il kit coppa raccogli polvere come accessorio opzionale, non è possibile utilizzare l'impugnatura laterale standard mentre è installato il kit coppa raccogli polvere sull'utensile. Quando il kit coppa raccogli polvere è installato sull'utensile, rimuovere l'impugnatura dall'impugnatura laterale standard, quindi montarla sul kit base impugnatura opzionale.

► **Fig.14:** 1. Bullone 2. Impugnatura 3. Kit base impugnatura opzionale

AVVISO: Non utilizzare il kit coppa raccogli polvere quando si intende perforare metallo o materiali simili. In caso contrario, si potrebbe danneggiare il kit coppa raccogli polvere a causa del calore prodotto dalle piccole particelle di metallo o materiali simili. Non installare o rimuovere il kit coppa raccogli polvere quando nell'utensile è installata la punta per trapano. In caso contrario, si potrebbe danneggiare il kit coppa raccogli polvere e causare fuoriuscite di polvere.

Prima di installare il kit coppa raccogli polvere, rimuovere la punta dall'utensile, se è installata.

1. Installare il distanziatore in modo che le scanalature presenti su quest'ultimo si inseriscano nelle sporgenze presenti sul cilindro dell'utensile mentre lo si allarga. Fare attenzione a non far staccare la molla dalla fessura del distanziatore.

► **Fig.15:** 1. Distanziatore 2. Molla

► **Fig.16**

2. Installare l'impugnatura laterale (kit base impugnatura opzionale con l'impugnatura rimossa dall'impugnatura laterale standard) in modo che la scanalatura sull'impugnatura si inserisca nella sporgenza presente sul distanziatore. Ruotare l'impugnatura in senso orario per fissarla.

► **Fig.17:** 1. Impugnatura laterale

3. Installare il kit coppa raccogli-polvere in modo che i denti della coppa raccogli-polvere si inseriscano nelle fessure presenti sul distanziatore.

► **Fig.18:** 1. Coppa raccogli-polvere 2. Denti

NOTA: Se si intende collegare un aspirapolvere al kit coppa raccogli-polvere, rimuovere il tappo della polvere prima di collegarlo.

► **Fig.19:** 1. Tappo della polvere

Rimozione della punta per trapano

Per rimuovere la punta per trapano, tirare giù fino in fondo la copertura del mandrino ed estrarre la punta per trapano.

► **Fig.20:** 1. Punta 2. Copertura del mandrino

Rimozione del kit coppa raccogli-polvere

Per rimuovere il kit coppa raccogli-polvere, attenersi alla procedura seguente.

1. Allentare l'impugnatura laterale.

► **Fig.21:** 1. Impugnatura laterale

2. Afferrare la base della coppa raccogli-polvere e tirarla verso l'esterno.

► **Fig.22:** 1. Coppa raccogli-polvere

NOTA: Qualora risulti difficile rimuovere il kit coppa raccogli-polvere, rimuovere i denti della coppa raccogli-polvere uno alla volta, facendo oscillare e tirando la base della coppa raccogli-polvere.

NOTA: Qualora il tappo si stacchi dalla coppa raccogli-polvere, montarlo con il suo lato stampato rivolto verso l'alto, in modo che la scanalatura presente sul tappo si inserisca nella parte periferica interna dell'attacco.

► **Fig.23**

Gancio

Accessorio opzionale

ATTENZIONE: Rimuovere sempre la batteria quando si intende appendere l'utensile con il gancio.

ATTENZIONE: Non agganciare mai l'utensile in ubicazioni elevate o su superfici potenzialmente instabili.

► **Fig.24:** 1. Scanalatura 2. Gancio 3. Vite

Il gancio è pratico per appendere temporaneamente l'utensile. Può venire installato su entrambi i lati dell'utensile.

Per installare il gancio, inserirlo in una delle scanalature presenti su entrambi i lati dell'alloggiamento dell'utensile, quindi fissarlo con una vite. Per rimuoverlo, allentare la vite e quindi estrarlo.

FUNZIONAMENTO

ATTENZIONE: Utilizzare sempre l'impugnatura laterale (manico ausiliario) e mantenere saldamente l'utensile utilizzando sia l'impugnatura laterale che il manico con l'interruttore durante l'uso.


ATTENZIONE: Accertarsi sempre che il pezzo in lavorazione sia fissato prima dell'operazione.

NOTA: Qualora la cartuccia della batteria si trovi in condizioni di bassa temperatura, potrebbe non essere possibile ottenere le prestazioni massime dell'utensile. In questo caso, far riscaldare la cartuccia della batteria utilizzando l'utensile a vuoto per qualche momento, per raggiungere le prestazioni massime dell'utensile.

► **Fig.25**

Operazione di foratura a percussione

ATTENZIONE: Sull'utensile/punta per trapano viene esercitata una fortissima e improvvisa forza torcente quando si verifica la fuoriuscita dal foro, qualora il foro diventi intasato di trucioli e scorie o qualora si colpiscano i tondini per armatura incorporati nel cemento. **Utilizzare sempre l'impugnatura laterale (manico ausiliario) e mantenere saldamente l'utensile utilizzando sia l'impugnatura laterale che il manico con l'interruttore durante l'uso.** In caso contrario, si potrebbe causare la perdita di controllo dell'utensile e la possibilità di gravi lesioni personali.

Impostare la manopola di modifica della modalità operativa sul simbolo .

Posizionare la punta per trapano sul punto desiderato per il foro, quindi premere l'interruttore a grilletto. Non forzare l'utensile. Una leggera pressione produce i risultati migliori. Mantenere l'utensile in posizione ed evitare che scivoli via dal foro.

Non esercitare una pressione maggiore se il foro diventa intasato di trucioli o scorie. Far girare a vuoto l'utensile, invece, quindi rimuovere parzialmente la punta per trapano dal foro. Ripetendo tale procedura diverse volte, il foro si ripulisce e si può continuare con la foratura normale.

NOTA: Durante il funzionamento dell'utensile a vuoto, potrebbe verificarsi un'eccentricità nella rotazione della punta per trapano. L'utensile si centra automaticamente durante l'uso. Ciò non influenza negativamente la precisione della foratura.

Foratura di legno o metallo


⚠ATTENZIONE: Tenere saldamente l'utensile e fare attenzione quando la punta per trapano inizia a fuoriuscire dal pezzo. Sull'utensile/punta per trapano viene esercitata una forza estrema al momento della fuoriuscita dal foro.

⚠ATTENZIONE: Una punta per trapano incastrata può venire rimossa semplicemente impostando il commutatore di inversione della rotazione sulla rotazione invertita, in modo da far tornare indietro l'utensile. Tuttavia, l'utensile potrebbe tornare indietro bruscamente, qualora non venga impugnato saldamente.

⚠ATTENZIONE: Fissare sempre i pezzi in lavorazione in una morsa o un dispositivo simile per tenerli fermi.

AVVISO: Non utilizzare mai la "rotazione con percussione" quando sull'utensile è installato il mandrino per trapano. In caso contrario, il mandrino per trapano potrebbe venire danneggiato. Inoltre, il mandrino per trapano si stacca durante l'inversione della rotazione dell'utensile.

AVVISO: Se si esercita una pressione eccessiva sull'utensile, non si accelera la foratura. In realtà, tale pressione eccessiva produce solo l'effetto di danneggiare l'estremità della punta per trapano e di ridurre le prestazioni e la vita utile dell'utensile.

Impostare la manopola di modifica della modalità operativa sul simbolo .

Montare l'adattatore per mandrino su un mandrino autoserrante per trapano su cui sia possibile installare una vite di dimensione 1/2"-20, quindi installarli sull'utensile. Durante la sua installazione, fare riferimento alla sezione "Installazione o rimozione della punta per trapano".

- **Fig.26:** 1. Gruppo mandrino per trapano
2. Adattatore per mandrino

Soffietto a peretta

Accessorio opzionale

Dopo aver praticato il foro, utilizzare il soffietto a peretta per pulire la polvere dal foro.

- **Fig.27**

MANUTENZIONE

⚠ATTENZIONE: Accertarsi sempre che l'utensile sia spento e che la cartuccia della batteria sia stata rimossa prima di tentare di eseguire interventi di ispezione o manutenzione.

AVVISO: Non utilizzare mai benzina, benzene, solventi, alcol o altre sostanze simili. In caso contrario, si potrebbero causare scolorimenti, deformazioni o crepe.

Per preservare la SICUREZZA e l'AFFIDABILITÀ del prodotto, le riparazioni e qualsiasi altro intervento di manutenzione e di regolazione devono essere eseguiti da un centro di assistenza autorizzato Makita, utilizzando sempre ricambi Makita.

ACCESSORI OPZIONALI

⚠ATTENZIONE: Questi accessori o componenti aggiuntivi sono consigliati per l'uso con l'utensile Makita specificato nel presente manuale. L'impiego di altri accessori o componenti aggiuntivi può costituire un rischio di lesioni alle persone. Utilizzare gli accessori o i componenti aggiuntivi solo per il loro scopo prefissato.

Per ottenere ulteriori dettagli relativamente a questi accessori, rivolgersi a un centro di assistenza Makita.

- Punta per trapano rivestite in carburo (punte SDS-plus rivestite in carburo)
- Adattatore per mandrino
- Mandrino autoserrante per trapano
- Grasso per punte
- Calibro di profondità
- Soffietto a peretta
- Coppa raccogli-polvere
- Kit coppa raccogli-polvere
- Kit base impugnatura
- Occhiali di sicurezza
- Gancio
- Batteria e caricabatterie originali Makita
- Custodia da trasporto in plastica

NOTA: Alcuni articoli nell'elenco potrebbero essere inclusi nell'imballaggio dell'utensile come accessori standard. Tali articoli potrebbero variare da nazione a nazione.

TECHNISCHE GEGEVENS

Model:		DHR171
Boorcapaciteiten	Steen/cement	17 mm
	Staal	10 mm
	Hout	13 mm
Nullasttoerental		0 - 680 min ⁻¹
Slagen per minuut		0 - 4.800 min ⁻¹
Totale lengte		273 mm
Nominale spanning		18 V gelijkspanning
Standaardaccu		BL1815N / BL1820 / BL1820B / BL1830 / BL1830B / BL1840 / BL1840B / BL1850 / BL1850B / BL1860B
Nettogewicht		2,1 - 2,8 kg

- In verband met ononderbroken research en ontwikkeling, behouden wij ons het recht voor de bovenstaande technische gegevens zonder voorafgaande kennisgeving te wijzigen.
- De technische gegevens van de accu kunnen van land tot land verschillen.
- Het gewicht kan verschillen afhankelijk van de hulpstukken, waaronder de accu. De lichtste en zwaarste combinatie, overeenkomstig de EPTA-procedure 01/2014, worden getoond in de tabel.

Bedoeld gebruik

Dit gereedschap is bedoeld voor hamerboren en boren in baksteen, beton en steen.

Het is ook geschikt voor boren zonder slagwerking in hout, metaal, keramisch materiaal en kunststof.

Geluidsniveau

De typische, A-gewogen geluidsniveaus zijn gemeten volgens EN60745:

Geluidsdrukniveau (L_{pA}): 86 dB (A)

Geluidsvermogeniveau (L_{WA}): 97 dB (A)

Onzekerheid (K): 3 dB (A)

WAARSCHUWING: Draag gehoorbescherming.

Trilling

De totale trillingsswaarde (triaxiale vectorsom) zoals vastgesteld volgens EN60745:

Gebruikstoepassing: hamerboren in beton

Trillingsemisatie ($a_{h,HD}$): 9,0 m/s²

Onzekerheid (K): 1,5 m/s²

Gebruikstoepassing: boren in metaal

Trillingsemisatie ($a_{h,D}$): 2,5 m/s² of lager

Onzekerheid (K): 1,5 m/s²

OPMERKING: De opgegeven trillingsemisatiewaarde is gemeten volgens de standaardtestmethode en kan worden gebruikt om dit gereedschap te vergelijken met andere gereedschappen.

OPMERKING: De opgegeven trillingsemisatiewaarde kan ook worden gebruikt voor een beoordeling vooraf van de blootstelling.

WAARSCHUWING: De trillingsemisatie tijdens het gebruik van het elektrisch gereedschap in de praktijk kan verschillen van de opgegeven trillingsemisatiewaarde afhankelijk van de manier waarop het gereedschap wordt gebruikt.

WAARSCHUWING: Zorg ervoor dat veiligheidsmaatregelen worden getroffen ter bescherming van de operator die zijn gebaseerd op een schatting van de blootstelling onder praktijkomstandigheden (rekening houdend met alle fasen van de bedrijfscyclus, zoals de tijdsduur gedurende welke het gereedschap is uitgeschakeld en stationair draait, naast de ingeschakelde tijdsduur).

EG-verklaring van conformiteit

Alleen voor Europese landen

De EG-verklaring van conformiteit is bijgevoegd als Bijlage A bij deze gebruiksaanwijzing.

VEILIGHEIDSWAARSCHUWINGEN

Algemene veiligheids waarschuwingen voor elektrisch gereedschap

WAARSCHUWING: Lees alle veiligheids waarschuwingen, aanwijzingen, afbeeldingen en technische gegevens behorend bij dit elektrische gereedschap aandachtig door. Als u niet alle onderstaande aanwijzingen naleeft, kan dat resulteren in brand, elektrische schokken en/of ernstig letsel.

Bewaar alle waarschuwingen en instructies om in de toekomst te kunnen raadplegen.

De term "elektrisch gereedschap" in de veiligheidsvoorschriften duidt op gereedschappen die op stroom van het lichtnet werken (met snoer) of gereedschappen met een accu (snoerloos).

VEILIGHEIDSWAARSCHUWINGEN VOOR EEN ACCUBOORHAMER

1. **Draag gehoorbescherming.** Blootstelling aan het lawaai kan uw gehoor aantasten.
2. **Gebruik hulphandgreep (hulphandgrepen), indien bij het gereedschap geleverd.** Verliezen van de macht over het gereedschap kan letsel veroorzaken.
3. **Houd het elektrisch gereedschap vast aan het geïsoleerde oppervlak van de handgrepen wanneer u werkt op plaatsen waar het accessoire met verborgen bedrading in aanraking kan komen.** Wanneer het accessoire in aanraking komt met onder spanning staande draden, zullen de niet-geïsoleerde metalen delen van het gereedschap onder spanning komen te staan zodat de gebruiker een elektrische schok kan krijgen.
4. **Draag een helm (veiligheidshelm), veiligheidsbril en/of spatscherm. Een gewone bril of een zonnebril is GEEN veiligheidsbril. Het wordt tevens sterk aanbevolen een stofmasker en dik gevoerde handschoenen te dragen.**
5. **Controleer of het bit stevig op zijn plaats zit voordat u het gereedschap gebruikt.**
6. **Bij normale bediening behoort het gereedschap te trillen. De schroeven kunnen gemakkelijk losraken, waardoor een defect of ongeval kan ontstaan. Controleer of de schroeven goed zijn aangedraaid, alvorens het gereedschap te gebruiken.**
7. **In koude weersomstandigheden of wanneer het gereedschap gedurende een lange tijd niet is gebruikt, laat u het gereedschap eerst opwarmen door het onbelast te laten werken. Hierdoor zal de smering worden verbeterd. Zonder degelijk opwarmen, zal de hamerwerking moeilijker zijn.**
8. **Zorg ook altijd dat u stevig op een solide bodem staat. Let bij het werken op hoge plaatsen op dat er zich niemand recht onder u bevindt.**
9. **Houd het gereedschap stevig met beide handen vast.**
10. **Houd uw handen uit de buurt van bewegende delen.**
11. **Laat het gereedschap niet draaiend achter. Schakel het gereedschap alleen in wanneer u het stevig vasthoudt.**
12. **Richt het gereedschap niet op iemand in de buurt terwijl het is ingeschakeld. Het bit zou eruit kunnen vliegen en iemand ernstig verwonden.**

13. **Raak het bit, onderdelen in de buurt van het bit en het werkstuk niet onmiddellijk na gebruik aan. Zij kunnen bijzonder heet zijn en brandwonden op uw huid veroorzaken.**
14. **Bepaalde materialen kunnen giftige chemicaliën bevatten. Vermijd contact met uw huid en zorg dat u geen stof inademt. Volg de veiligheidsvoorschriften van de fabrikant van het materiaal.**
15. **Zorg er altijd voor dat het gereedschap is uitgeschakeld en de accu en bit zijn verwijderd voordat u het gereedschap aan een andere persoon overhandigt.**

BEWAAR DEZE VOORSCHRIFTEN.

⚠WAARSCHUWING: Laat u NIET misleiden door een vals gevoel van comfort en bekendheid met het gereedschap (na veelvuldig gebruik) en neem alle veiligheidsvoorschriften van het betreffende gereedschap altijd strikt in acht. **VERKEERD GEBRUIK** of het niet naleven van de veiligheidsvoorschriften in deze gebruiksaanwijzing kan leiden tot ernstig letsel.

Belangrijke veiligheidsinstructies voor een accu

1. **Lees alle voorschriften en waarschuwingen op (1) de acculader, (2) de accu, en (3) het product waarvoor de accu wordt gebruikt, alvorens de accu in gebruik te nemen.**
2. **Neem de accu niet uit elkaar.**
3. **Als de gebruikstijd van een opgeladen accu aanzienlijk korter is geworden, moet u het gebruik ervan onmiddellijk stopzetten. Voortgezet gebruik kan oververhitting, brandwonden en zelfs een ontploffing veroorzaken.**
4. **Als elektrolyt in uw ogen is terechtgekomen, spoelt u uw ogen met schoon water en roept u onmiddellijk de hulp van een dokter in. Elektrolyt in de ogen kan blindheid veroorzaken.**
5. **Voorkom kortsluiting van de accu:**
 - (1) Raak de accuklemmen nooit aan met een geleidend materiaal.
 - (2) Bewaar de accu niet in een bak waarin andere metalen voorwerpen zoals spijkers, munten e.d. worden bewaard.
 - (3) Stel de accu niet bloot aan water of regen. Kortsluiting van de accu kan oorzaak zijn van een grote stroomafgifte, oververhitting, brandwonden, en zelfs defecten.
6. **Bewaar het gereedschap en de accu niet op plaatsen waar de temperatuur kan oplopen tot 50°C of hoger.**
7. **Werp de accu nooit in het vuur, ook niet wanneer hij zwaar beschadigd of volledig versleten is. De accu kan ontploffen in het vuur.**
8. **Wees voorzichtig dat u de accu niet laat vallen en hem niet blootstelt aan schokken of stoten.**
9. **Gebruik nooit een beschadigde accu.**

10. **De bijgeleverde lithium-ionbatterijen zijn onderhevig aan de vereisten in de wetgeving omtrent gevaarlijke stoffen.**
 Voor commercieel transport en dergelijke door derden en transporteurs moeten speciale vereisten ten aanzien van verpakking en etikettering worden nageleefd.
 Als voorbereiding van het artikel dat wordt getransporteerd is het noodzakelijk een expert op het gebied van gevaarlijke stoffen te raadplegen. Houd u tevens aan mogelijk strengere nationale regelgeving.
 Blootliggende contactpunten moeten worden afgedekt met tape en de accu moet zodanig worden verpakt dat deze niet kan bewegen in de verpakking.
11. **Volg bij het weggooiën van de accu de plaatselijke voorschriften.**
12. **Gebruik de accu's uitsluitend met de gereedschappen die door Makita zijn aanbevolen.** Als de accu's worden aangebracht in niet-compatibele gereedschappen, kan dat leiden tot brand, buitensporige warmteontwikkeling, een explosie of lekkage van elektrolyt.

BEWAAR DEZE INSTRUCTIES.

⚠ LET OP: Gebruik uitsluitend originele Makita accu's. Het gebruik van niet-originele accu's, of accu's die zijn gewijzigd, kan ertoe leiden dat de accu ontploft en brand, persoonlijk letsel en schade veroorzaakt. Ook vervalt daarmee de garantie van Makita op het gereedschap en de lader van Makita.

Tips voor een maximale levensduur van de accu

1. **Laad de accu op voordat hij volledig ontladen is. Stop het gebruik van het gereedschap en laad de accu op telkens wanneer u vaststelt dat het vermogen van het gereedschap is afgenomen.**
2. **Laad een volledig opgeladen accu nooit opnieuw op. Te lang opladen verkort de levensduur van de accu.**
3. **Laad de accu op bij een omgevingstemperatuur tussen 10°C en 40°C. Laat een warme accu afkoelen alvorens hem op te laden.**
4. **Laad de accu op als u deze gedurende een lange tijd (meer dan zes maanden) niet gaat gebruiken.**

BESCHRIJVING VAN DE FUNCTIES

⚠ LET OP: Zorg altijd dat het gereedschap is uitgeschakeld en de accu ervan is verwijderd alvorens de functies op het gereedschap af te stellen of te controleren.

De accu aanbrengen en verwijderen

⚠ LET OP: Schakel het gereedschap altijd uit voordat u de accu aanbrengt of verwijderd.

⚠ LET OP: Houd het gereedschap en de accu stevig vast tijdens het aanbrengen of verwijderen van de accu. Als u het gereedschap en de accu niet stevig vasthoudt, kunnen deze uit uw handen glippen en het gereedschap of de accu beschadigen, of kan persoonlijk letsel worden veroorzaakt.

► Fig.1: 1. Rood deel 2. Knop 3. Accu

Om de accu te verwijderen verschuift u de knop aan de voorkant van de accu en schuift u tegelijkertijd de accu uit het gereedschap.

Om de accu aan te brengen lijnt u de lip op de accu uit met de groef in de behuizing en duwt u de accu op zijn plaats. Steek de accu zo ver mogelijk in het gereedschap tot u een klikgeluid hoort. Als u het rode deel aan de bovenkant van de knop kunt zien, is de accu niet goed aangebracht.

⚠ LET OP: Breng de accu altijd helemaal aan totdat het rode deel niet meer zichtbaar is. Als u dit niet doet, kan de accu per ongeluk uit het gereedschap vallen en u of anderen in uw omgeving verwonden.

⚠ LET OP: Breng de accu niet met kracht aan. Als de accu niet gemakkelijk in het gereedschap kan worden geschoven, wordt deze niet goed aangebracht.

De resterende acculading controleren

Alleen voor accu's met indicatorlampjes

► Fig.2: 1. Indicatorlampjes 2. Testknop

Druk op de testknop op de accu om de resterende acculading te zien. De indicatorlampjes branden gedurende enkele seconden.

Indicatorlampjes			Resterende acculading
Brandt	Uit	Knippert	
■ ■ ■ ■	□ □ □ □	□ □ □ □	75% tot 100%
■ ■ ■ □	□ □ □ □	□ □ □ □	50% tot 75%
■ ■ □ □	□ □ □ □	□ □ □ □	25% tot 50%
■ □ □ □	□ □ □ □	□ □ □ □	0% tot 25%
▣ □ □ □	□ □ □ □	□ □ □ □	Laad de accu op.
■ ■ □ □	□ □ □ □	□ □ □ □	Er kan een storing zijn opgetreden in de accu.
□ □ □ □	■ ■ ■ ■	□ □ □ □	

OPMERKING: Afhankelijk van de gebruiksomstandigheden en de omgevingstemperatuur, is het mogelijk dat de aangegeven acculading verschilt van de werkelijke acculading.

Gereedschap-/accubeveiligingssysteem

Het gereedschap is voorzien van een gereedschap-/accubeveiligingssysteem. Dit systeem schakelt automatisch de voeding naar de motor uit om de levensduur van het gereedschap en de accu te verlengen. Het gereedschap kan tijdens het gebruik automatisch stoppen als het gereedschap of de accu aan één van de volgende omstandigheden wordt blootgesteld:

Overbelastingsbeveiliging

Als de accu wordt gebruikt op een manier die ertoe leidt dat een abnormaal hoge stroomsterkte wordt getrokken, stopt het gereedschap automatisch zonder enige aanduiding. In dat geval schakelt u het gereedschap uit en stopt u met het gebruik dat er toe leidde dat het gereedschap overbelast raakte. Schakel vervolgens het gereedschap in om weer te starten.

Oververhittingsbeveiliging

Wanneer het gereedschap of de accu oververhit is, stopt het gereedschap automatisch en knippert de lamp. In dat geval laat u het gereedschap en de accu afkoelen, voordat u het gereedschap opnieuw inschakelt.

Beveiliging tegen te ver ontladen

Als de acculading onvoldoende is, stopt het gereedschap automatisch. In dit het geval verwijdert u de accu vanaf het gereedschap en laadt u de accu op.

De trekkerschakelaar gebruiken

WAARSCHUWING: Alvorens de accu in het gereedschap te plaatsen, moet u altijd controleren of de trekkerschakelaar goed werkt en bij het loslaten terugkeert naar de stand "OFF".

► Fig.3: 1. Trekkerschakelaar

Om het gereedschap te starten, knijpt u gewoon de trekkerschakelaar in. Hoe harder u de trekkerschakelaar inknijpt, hoe sneller het gereedschap draait. Laat de trekkerschakelaar los om het gereedschap te stoppen.

De lamp op de voorkant gebruiken

► Fig.4: 1. Trekkerschakelaar 2. Lamp

LET OP: Kijk niet direct in het lamplicht of in de lichtbron.

Knijp de trekkerschakelaar in om de lamp in te schakelen. De lamp blijft branden zo lang de trekkerschakelaar wordt ingeknepen. Ongeveer 10 seconden nadat u de trekkerschakelaar hebt losgelaten, gaat de lamp uit.

OPMERKING: Gebruik een droge doek om vuil van de lens van de lamp af te vegen. Wees voorzichtig dat u de lens van de lamp niet bekrast omdat dan de verlichting minder wordt.

De omkeerschakelaar bedienen

► Fig.5: 1. Omkeerschakelaar

LET OP: Controleer altijd de draairichting alvorens het gereedschap te starten.

LET OP: Verander de stand van de omkeerschakelaar alleen nadat het gereedschap volledig tot stilstand is gekomen. Als u de draairichting verandert terwijl het gereedschap nog draait, kan het gereedschap beschadigd raken.

LET OP: Zet de omkeerschakelaar altijd in de neutrale stand wanneer u het gereedschap niet gebruikt.

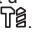
Dit gereedschap heeft een omkeerschakelaar voor het veranderen van de draairichting. Druk de omkeerschakelaar in vanaf kant A voor de draairichting rechtsom, of vanaf kant B voor de draairichting linksom. Wanneer de omkeerschakelaar in de neutrale stand staat, kan de trekkerschakelaar niet worden ingeknepen.

De werkingsfunctie kiezen

KENNISGEVING: Draai de werkingsfunctiekeuzeknop niet terwijl het gereedschap draait. Het gereedschap zal hierdoor worden beschadigd.


KENNISGEVING: Om snelle slijtage van het werkingsfunctiekeuzemechanisme te voorkomen, zorgt u ervoor dat de werkingsfunctiekeuzeknop altijd precies in een van de werkingsfunctiestanden staat.

Hamerboren

Voor het boren in beton, metselwerk, enz., draait u de werkingsfunctiekeuzeknop naar het symbool . Gebruik een boor met een hardmetalen punt.

► Fig.6: 1. Werkingsfunctiekeuzeknop

Alleen boren

Voor het boren in hout, metaal of kunststofmaterialen, draait u de werkingsfunctiekeuzeknop naar het symbool . Gebruik een spiraalboor of houtboor.

► Fig.7: 1. Werkingsfunctiekeuzeknop

MONTAGE

LET OP: Zorg altijd dat het gereedschap is uitgeschakeld en de accu ervan is verwijderd alvorens enig werk aan het gereedschap uit te voeren.

Zijhandgreep (extra handgreep)

⚠ LET OP: Gebruik altijd de zijhandgreep om veilig te kunnen werken.

⚠ LET OP: Na het aanbrengen of afstellen van de zijhandgreep, controleert u of de zijhandgreep stevig is vastgezet.

Breng de zijhandgreep zodanig aan dat de groeven op de greep om de uitsteeksels op de schacht van het gereedschap vallen. Draai de greep rechtsonder om hem te bevestigen. De greep kan onder de gewenste hoek worden vastgezet.

► **Fig.8:** 1. Zijhandgreep

Smeren

Smeer het uiteinde van de schacht van de boor vooraf in met een beetje vet (ong. 0,5 tot 1 gram).

Met een ingevette boorkop zal het gereedschap beter werken en langer meegaan.

De boor aanbrengen en verwijderen

Reinig het uiteinde van de schacht van de boor en smeer het met vet voordat u de boor aanbrengt.

► **Fig.9:** 1. Uiteinde van de schacht 2. Smeren

Breng de boor aan in het gereedschap. Draai de boor en duw hem naar binnen tot hij vergrendelt.

Controleer na het aanbrengen van de boor altijd of de boor stevig in het gereedschap is bevestigd door te proberen hem eruit te trekken.

► **Fig.10:** 1. Boor

Om de boor te verwijderen, trekt u de boorkopmof helemaal omlaag en trekt u de boor eruit.

► **Fig.11:** 1. Boor 2. Boorkopmof

Dieptemaat

De dieptemaat is nuttig voor het boren van gaten van gelijke diepte. Maak de zijhandgreep los en steek de dieptemaat in het gat in de basis van de zijhandgreep. Stel de dieptemaat af op de gewenste diepte en zet de zijhandgreep vast.

► **Fig.12:** 1. Gat 2. Dieptemaat

OPMERKING: Zorg ervoor dat de dieptemaat niet tegen de behuizing van het gereedschap aan komt wanneer u hem aanbrengt.

Stofvanger

Optioneel accessoire

Gebruik de stofvanger om te voorkomen dat stof op het gereedschap en op uzelf terecht komt wanneer u boven uw hoofd boort. Bevestig de stofvanger aan het bit zoals aangegeven in de afbeelding. De diameter van de bits waaraan de stofvanger kan worden bevestigd is als volgt.

Model	Bitdiameter
Stofvanger 5	6 mm - 14,5 mm
Stofvanger 9	12 mm - 16 mm

► **Fig.13:** 1. Stofvanger

Stofvangerset

Optioneel accessoire

De stofvangerset aanbrengen

KENNISGEVING: Als u de stofvangerset hebt aangeschaft als een optioneel accessoire, kan de standaard zijhandgreep niet worden gebruikt terwijl de stofvangerset op het gereedschap is aangebracht. Wanneer de stofvangerset moet worden aangebracht op het gereedschap, verwijdert u eerst de handgreep vanaf de standaard zijhandgreep en bevestigt u hem vervolgens op de optionele handgreepvoetset.

► **Fig.14:** 1. Bout 2. Handgreep 3. Optionele handgreepvoetset

KENNISGEVING: Gebruik de stofvangerset niet bij het boren in metaal of soortgelijke materialen. De stofvangerset kan dan worden beschadigd door de hitte die wordt afgegeven door kleine metaaldeeltjes of soortgelijke deeltjes. Breng de stofvangerset niet aan en verwijder hem niet terwijl de boor nog in het gereedschap is aangebracht. De stofvangerset kan dan worden beschadigd waardoor hij stof lekt.

Alvorens de stofvangerset aan te brengen, verwijdert u het bit vanaf het gereedschap indien deze is aangebracht.

1. Breng de afstandshouder zodanig aan dat de groeven in de afstandshouder om de uitsteeksels op de schacht van het gereedschap vallen bij het breder maken. Let er daarbij op dat de veer niet loskomt uit de gleuf van de afstandshouder.

► **Fig.15:** 1. Afstandshouder 2. Veer

► **Fig.16**

2. Breng de zijhandgreep (optionele handgreepvoetset en de handgreep verwijderd vanaf de standaard zijhandgreep) zodanig aan dat de groef op de handgreep past om het uitsteeksel op de afstandshouder. Draai de handgreep rechtsonder om hem te bevestigen.

► **Fig.17:** 1. Zijhandgreep

3. Breng de stofvangerset zodanig aan dat de klauwen van de stofvanger in de gleuven van de afstandshouder vallen.

► **Fig.18:** 1. Stofvanger 2. Klauwen

OPMERKING: Als u een stofzuiger aansluit op de stofvangerset, verwijdert u de stofdop voordat u hem aansluit.

► **Fig.19:** 1. Stofdop

Het boorbit verwijderen

Om de boor te verwijderen, trekt u de boorkopmof helemaal omlaag en trekt u de boor eruit.

► **Fig.20:** 1. Bit 2. Boorkopmof

De stofvangerset verwijderen

Om de stofvangerset te verwijderen, volgt u de onderstaande stappen.

1. Draai de zijhandgreep los.

► **Fig.21:** 1. Zijhandgreep

2. Houd de voet van de stofvanger vast en trek deze eruit.

► **Fig.22:** 1. Stofvanger

OPMERKING: Als de stofvangerset moeilijk te verwijderen is, verwijdert u de klauwen van de stofvanger één voor één door de voet van de stofvanger heen en weer te kantelen en eraan te trekken.

OPMERKING: Als de dop loskomt uit de stofvanger, brengt u deze weer aan met de bedrukte kant naar boven gericht zodat de groef op de dop in de binnenomtrek van zijn bevestiging valt.

► Fig.23

Haak

Optioneel accessoire

⚠ALLET OP: Verwijder altijd eerst de accu, voordat u het gereedschap aan de haak ophangt.

⚠ALLET OP: Hang het gereedschap niet op aan de haak op een hoge plaats of op een mogelijk instabiele ondergrond.

► Fig.24: 1. Groef 2. Haak 3. Schroef

De haak is handig om het gereedschap tijdelijk aan op te hangen. Deze kan aan beide kanten van het gereedschap worden aangebracht.

U brengt de haak aan door deze in een groef in de behuizing van het gereedschap te steken en vast te zetten met een schroef. Om te verwijderen, draait u de schroef los en haalt u hem van het gereedschap af.

BEDIENING

⚠ALLET OP: Gebruik altijd de zijhandgreep (hulp-handgreep) en houd het gereedschap tijdens het gebruik stevig vast bij zowel de zijhandgreep als de hoofdhandgreep.


⚠ALLET OP: Zorg er altijd vóór gebruik voor dat het werkstuk stevig vast staat.

OPMERKING: Als de temperatuur van de accu laag is, werkt het gereedschap mogelijk niet op volledig vermogen. Warm in dat geval de accu op door het gereedschap enige tijd op nullasttoerental te gebruiken zodat u het volledige vermogen van het gereedschap weer kunt gebruiken.

► Fig.25

Gebruik als hamerboor

⚠ALLET OP: Op het moment dat het boorgat doorbreekt, het boorgat verstopt raakt met schilfertjes of metaaldeeltjes, of de klopper de bewapening in het steen raakt, wordt een plotselinge en enorme torsiekracht uitgeoefend op het gereedschap/boorbit. **Gebruik altijd de zijhandgreep (hulphandgreep) en houd het gereedschap tijdens het gebruik stevig vast bij zowel de zijhandgreep als de hoofdhandgreep.** Als u dit niet doet, kunt u de controle over het gereedschap verliezen en mogelijk ernstig letsel veroorzaken.

Draai de werksfunctiekeuzeknop naar het symbool .

Plaats de punt van de boor op de plaats waar u een gat wilt boren en knijp dan de trekverschakelaar in. Forceer het gereedschap niet. Een lichte druk geeft de beste resultaten. Houd het gereedschap zorgvuldig op zijn plaats en zorg dat het niet uit het boorgat raakt.

Oefen niet méér druk uit wanneer het boorgat verstopt raakt met schilfertjes of boorgruis. Laat daarentegen het gereedschap "stationair" draaien en trek de boor gedeeltelijk terug uit het boorgat. Door dit enkele malen te herhalen, kunt u het boorgat gruisvrij maken, zodat u het normale boren kunt hervatten.

OPMERKING: Terwijl het gereedschap onbelast wordt gebruikt, kan de boor excentrisch draaien. Het gereedschap centreert zichzelf automatisch tijdens het gebruik. Dit heeft geen nadelige invloed op de nauwkeurigheid van het boren.

Boren in hout of metaal

⚠ALLET OP: Houd het gereedschap stevig vast en let vooral goed op wanneer het boorbit door het werkstuk heen breekt. Op het moment dat het boorgat doorbreekt wordt een enorme wringende kracht uitgeoefend op het gereedschap/boorbit.

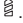
⚠ALLET OP: Een vastgelopen boorbit kan eenvoudig verwijderd worden door de draairichting te veranderen met de omkeerschakelaar, om zo het boorbit eruit te draaien. Houd het gereedschap daarbij wel stevig vast, want er is kans op een plotselinge terugslag.

⚠ALLET OP: Zet het werkstuk altijd vast in een bankschroef of soortgelijke klemvoorziening.

KENNISGEVING: Gebruik nooit "Hamerboren" wanneer de adapterboorkop op het gereedschap is aangebracht. De adapterboorkop kan worden beschadigd.

Bovendien zal de adapterboorkop loskomen wanneer de draairichting van het gereedschap wordt omgekeerd.

KENNISGEVING: Het boren zal niet sneller verlopen als u hard op het gereedschap drukt. In feite zal dergelijk hard drukken alleen maar leiden tot beschadiging van het boorbit, lagere prestaties van het gereedschap en een kortere levensduur van het gereedschap.

Draai de werksfunctiekeuzeknop naar het symbool . Bevestig de boorkopadapter aan een sleutellose boorkop waarop een schroefmaat 1/2"-20 kan worden aangebracht, en breng deze daarna aan op het gereedschap. Voor het aanbrengen ervan raadpleegt u het tekstdeel "Het boorbit aanbrengen of verwijderen".

► Fig.26: 1. Boorkopmontage 2. Boorkopadapter

Luchtblazer

Optioneel accessoire

Nadat het gat geboord is, gebruikt u de luchtblazer om het stof uit het gat te blazen.

► Fig.27

ONDERHOUD

⚠ LET OP: Zorg altijd dat het gereedschap is uitgeschakeld en de accu ervan is verwijderd alvorens te beginnen met onderhoud of inspectie.

KENNISGEVING: Gebruik nooit benzine, wasbenzine, thinner, alcohol en dergelijke. Hierdoor kunnen verkleuring, vervormingen en barsten worden veroorzaakt.

Om de VEILIGHEID en BETROUWBAARHEID van het gereedschap te handhaven, dienen alle reparaties, onderhoud of afstellingen te worden uitgevoerd bij een erkend Makita-servicecentrum of de Makita-fabriek, en altijd met gebruik van Makita-vervangingsonderdelen.

OPTIONELE ACCESSOIRES

⚠ LET OP: Deze accessoires of hulpstukken worden aanbevolen voor gebruik met het Makita gereedschap dat in deze gebruiksaanwijzing is beschreven. Bij gebruik van andere accessoires of hulpstukken bestaat het gevaar van persoonlijke letsel. Gebruik de accessoires of hulpstukken uitsluitend voor hun bestemde doel.

Wenst u meer bijzonderheden over deze accessoires, neem dan contact op met het plaatselijke Makita-servicecentrum.

- Boor met een hardmetalen punt (SDS-plus-bits met een hardmetalen punt)
- Boorkopadapter
- Sleutellose boorkop
- Boorvet
- Dieptemaat
- Luchtblazer
- Stofvanger
- Stofvangerset
- Handgreepvoetset
- Veiligheidsbril
- Haak
- Originele Makita accu's en acculaders
- Kunststof koffer

OPMERKING: Sommige items op de lijst kunnen zijn inbegrepen in de doos van het gereedschap als standaard toebehoren. Deze kunnen van land tot land verschillen.

ESPECIFICACIONES

Modelo:		DHR171
Capacidades de perforación	Cemento	17 mm
	Acero	10 mm
	Madera	13 mm
Velocidad sin carga		0 - 680 min ⁻¹
Percusiones por minuto		0 - 4.800 min ⁻¹
Longitud total		273 mm
Tensión nominal		CC 18 V
Cartucho de batería estándar		BL1815N / BL1820 / BL1820B / BL1830 / BL1830B / BL1840 / BL1840B / BL1850 / BL1850B / BL1860B
Peso neto		2,1 - 2,8 kg

- Debido a nuestro continuado programa de investigación y desarrollo, las especificaciones aquí dadas están sujetas a cambios sin previo aviso.
- Las especificaciones y el cartucho de batería pueden diferir de país a país.
- El peso puede variar dependiendo del accesorio(s), incluyendo el cartucho de batería. La combinación menos pesada y la más pesada, de acuerdo con el procedimiento EPTA 01/2014, se muestran en la tabla.

Uso previsto

La herramienta ha sido prevista para perforar con percusión y perforar en ladrillo, hormigón y piedra. También es apropiada para perforar sin impacto en madera, metal, cerámica y plástico.

Ruido

El nivel de ruido A-ponderado típico determinado de acuerdo con la norma EN60745:

Nivel de presión sonora (L_{pA}): 86 dB (A)

Nivel de potencia sonora (L_{WA}): 97 dB (A)

Error (K): 3 dB (A)

ADVERTENCIA: Póngase protectores para oídos.

Vibración

El valor total de la vibración (suma de vectores triaxiales) determinado de acuerdo con la norma EN60745:

Modo de trabajo: perforación con percusión en cemento

Emisión de vibración ($a_{h,HD}$): 9,0 m/s²

Error (K): 1,5 m/s²

Modo de trabajo: perforación en metal

Emisión de vibración ($a_{h,D}$): 2,5 m/s² o menos

Error (K): 1,5 m/s²

NOTA: El valor de emisión de vibración declarado ha sido medido de acuerdo con el método de prueba estándar y se puede utilizar para comparar una herramienta con otra.

NOTA: El valor de emisión de vibración declarado también se puede utilizar en una valoración preliminar de exposición.

ADVERTENCIA: La emisión de vibración durante la utilización real de la herramienta eléctrica puede variar del valor de emisión declarado dependiendo de las formas en las que la herramienta sea utilizada.

ADVERTENCIA: Asegúrese de identificar medidas de seguridad para proteger al operario que estén basadas en una estimación de la exposición en las condiciones reales de utilización (teniendo en cuenta todas las partes del ciclo operativo como las veces cuando la herramienta está apagada y cuando está funcionando en vacío además del tiempo de gatillo).

Declaración CE de conformidad

Para países europeos solamente

La declaración CE de conformidad está incluida como Anexo A de esta manual de instrucciones.

ADVERTENCIAS DE SEGURIDAD

Advertencias de seguridad para herramientas eléctricas en general

ADVERTENCIA: Lea todas las advertencias de seguridad, instrucciones, ilustraciones y especificaciones provistas con esta herramienta eléctrica. Si no sigue todas las instrucciones indicadas abajo podrá resultar en una descarga eléctrica, un incendio y/o heridas graves.

Guarde todas las advertencias e instrucciones para futuras referencias.

El término "herramienta eléctrica" en las advertencias se refiere a su herramienta eléctrica de funcionamiento con conexión a la red eléctrica (con cable) o herramienta eléctrica de funcionamiento a batería (sin cable).

ADVERTENCIAS DE SEGURIDAD PARA EL MARTILLO ROTATIVO INALÁMBRICO

1. **Póngase protectores de oídos.** La exposición al ruido puede ocasionar pérdida auditiva.
2. **Utilice el mango(s) auxiliar, si se suministra con la herramienta.** Una pérdida del control puede ocasionar heridas personales.
3. **Cuando realice una operación en la que el accesorio de corte pueda entrar en contacto con cableado oculto, sujete la herramienta eléctrica por las superficies de aislamiento aisladas.** El contacto del accesorio de corte con un cable con corriente hará que la corriente circule por las partes metálicas expuestas de la herramienta eléctrica y podrá soltar una descarga eléctrica al operario.
4. **Póngase casco protector (casco de seguridad), gafas de seguridad y/o pantalla facial. Las gafas normales o de sol NO sirven para proteger los ojos. También es muy recomendable ponerse una máscara contra el polvo y guantes espesamente acolchados.**
5. **Asegúrese de que la broca está sujeta en su sitio antes de iniciar la operación.**
6. **La herramienta ha sido diseñada de modo que produzca vibración durante la utilización normal. Los tornillos se pueden aflojar fácilmente, ocasionando una rotura o un accidente. Compruebe con cuidado el apriete de los tornillos antes de iniciar la operación.**
7. **En clima frío o cuando la herramienta no haya sido utilizada durante un tiempo largo, deje que la herramienta se caliente durante un rato utilizándola sin carga. Esto diluirá la lubricación. Sin un calentamiento apropiado, la operación de percusión resultará difícil.**
8. **Asegúrese siempre de apoyar los pies firmemente. Asegúrese de que no haya nadie debajo cuando utilice la herramienta en lugares altos.**
9. **Sujete la herramienta firmemente con ambas manos.**
10. **Mantenga las manos alejadas de las partes en movimiento.**
11. **No deje la herramienta en marcha. Tenga en marcha la herramienta solamente cuando la tenga en la mano.**
12. **No apunte la herramienta hacia nadie que esté en el área cuando la esté utilizando. La broca puede salir despedida y herir a alguien gravemente.**

13. **No toque la broca, las partes cerca de la broca, o la pieza de trabajo inmediatamente después de la operación; podrán estar muy calientes y quemarle la piel.**
14. **Algunos materiales contienen sustancias químicas que pueden ser tóxicas. Tenga precaución para evitar la inhalación de polvo y el contacto con la piel. Siga los datos de seguridad del abastecedor del material.**
15. **Asegúrese siempre de que la herramienta está apagada y que el cartucho de batería y la broca han sido retirados antes de entregar la herramienta a otra persona.**

GUARDE ESTAS INSTRUCCIONES.

⚠️ ADVERTENCIA: NO deje que la comodidad o familiaridad con el producto (a base de utilizarlo repetidamente) sustituya la estricta observancia de las normas de seguridad para el producto en cuestión. El MAL USO o el no seguir las normas de seguridad establecidas en este manual de instrucciones podrá ocasionar heridas personales graves.

Instrucciones de seguridad importantes para el cartucho de batería

1. **Antes de utilizar el cartucho de batería, lea todas las instrucciones e indicaciones de precaución sobre (1) el cargador de baterías, (2) la batería, y (3) el producto con el que se utiliza la batería.**
2. **No desarme el cartucho de batería.**
3. **Si el tiempo de uso se acorta demasiado, cese la operación inmediatamente. Podría resultar en un riesgo de recalentamiento, posibles quemaduras e incluso una explosión.**
4. **Si entra electrólito en sus ojos, aclárelos con agua limpia y acuda a un médico inmediatamente. Existe el riesgo de poder perder la vista.**
5. **No cortocircuite el cartucho de batería:**
 - (1) **No toque los terminales con ningún material conductor.**
 - (2) **Evite guardar el cartucho de batería en un cajón junto con otros objetos metálicos, como clavos, monedas, etc.**
 - (3) **No exponga el cartucho de batería al agua ni a la lluvia.**

Un cortocircuito en la batería puede producir una gran circulación de corriente, un recalentamiento, posibles quemaduras e incluso una rotura de la misma.
6. **No guarde la herramienta y el cartucho de batería en lugares donde la temperatura pueda alcanzar o exceder los 50 °C.**
7. **Nunca incinere el cartucho de batería incluso en el caso de que esté dañado seriamente o ya no sirva en absoluto. El cartucho de batería puede explotar si se tira al fuego.**

8. **Tenga cuidado de no dejar caer ni golpear el cartucho de batería.**
9. **No utilice una batería dañada.**
10. **Las baterías de litio-ion contenidas están sujetas a los requisitos de la Legislación para Materiales Peligrosos.**

Para transportes comerciales, p.ej., por terceras personas y agentes de transportes, se deberán observar requisitos especiales para el empaquetado y etiquetado.

Para la preparación del artículo que se va a enviar, se requiere consultar con un experto en materiales peligrosos. Por favor, observe también la posibilidad de reglamentos nacionales más detallados.

Cubra con cinta aislante o enmascare los contactos expuestos y empaquete la batería de tal manera que no se pueda mover alrededor dentro del embalaje.

11. **Siga los reglamentos locales referentes al desecho de la batería.**
12. **Utilice las baterías solamente con los productos especificados por Makita.** La instalación de las baterías en productos no compatibles puede resultar en un incendio, calor excesivo, explosión, o fuga de electrolito.

GUARDE ESTAS INSTRUCCIONES.

⚠️ PRECAUCIÓN: Utilice solamente baterías genuinas de Makita. La utilización de baterías no genuinas de Makita, o baterías que han sido alteradas, puede resultar en una explosión de la batería ocasionando incendios, heridas personales y daños. También anulará la garantía de Makita para la herramienta y el cargador de Makita.

Consejos para alargar al máximo la vida de servicio de la batería

1. **Cargue el cartucho de batería antes de que se descargue completamente. Detenga siempre la operación y cargue el cartucho de batería cuando note menos potencia en la herramienta.**
2. **No cargue nunca un cartucho de batería que esté completamente cargado. La sobrecarga acortará la vida de servicio de la batería.**
3. **Cargue el cartucho de batería a temperatura ambiente de 10 °C - 40 °C. Si un cartucho de batería está caliente, déjelo enfriar antes de cargarlo.**
4. **Cargue el cartucho de batería si no lo utiliza durante un periodo de tiempo prolongado (más de seis meses).**

DESCRIPCIÓN DEL FUNCIONAMIENTO

⚠️ PRECAUCIÓN: Asegúrese siempre de que la herramienta está apagada y el cartucho de batería retirado antes de realizar cualquier ajuste o comprobación en la herramienta.

Instalación o extracción del cartucho de batería

⚠️ PRECAUCIÓN: Apague siempre la herramienta antes de instalar o retirar el cartucho de batería.

⚠️ PRECAUCIÓN: Sujete la herramienta y el cartucho de batería firmemente cuando instale o retire el cartucho de batería. Si no sujeta la herramienta y el cartucho de batería firmemente podrán caérsele de las manos y resultar en daños a la herramienta y al cartucho de batería y heridas personales.

► Fig.1: 1. Indicador rojo 2. Botón 3. Cartucho de batería

Para retirar el cartucho de batería, deslícelo de la herramienta mientras desliza el botón de la parte frontal del cartucho.

Para instalar el cartucho de batería, alinee la lengüeta del cartucho de batería con la ranura de la carcasa y deslícelo hasta que encaje en su sitio. Insértelo a tope hasta que se bloquee en su sitio produciendo un pequeño chasquido. Si puede ver el indicador rojo en el lado superior del botón, no estará bloqueado completamente.

⚠️ PRECAUCIÓN: Instale siempre el cartucho de batería completamente hasta que no pueda verse el indicador rojo. En caso contrario, podrá caerse accidentalmente de la herramienta y ocasionarle heridas a usted o a alguien que esté cerca de usted.











⚠️ PRECAUCIÓN: No instale el cartucho de batería empleando fuerza. Si el cartucho no se desliza al interior fácilmente, será porque no está siendo insertado correctamente.













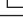
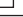

Modo de indicar la capacidad de batería restante

Solamente para cartuchos de batería con el indicador

► Fig.2: 1. Lámparas indicadoras 2. Botón de comprobación

Presione el botón de comprobación en el cartucho de batería para indicar la capacidad de batería restante. Las lámparas indicadoras se iluminan durante unos pocos segundos.

Lámparas indicadoras			Capacidad restante
 Iluminada	 Apagada	 Parpadeando	
			75% a 100%
			50% a 75%
			25% a 50%
			0% a 25%

Lámparas indicadoras			Capacidad restante
			
Iluminada	Apagada	Parpadeando	
			
			
			
			

Cargue la batería.

Puede que la batería no esté funcionando bien.

NOTA: Dependiendo de las condiciones de utilización y de la temperatura ambiente, la indicación podrá variar ligeramente de la capacidad real.

Sistema de protección de la herramienta / batería

La herramienta está equipada con un sistema de protección de la herramienta/batería. Este sistema corta automáticamente la alimentación al motor para alargar la vida de servicio de la herramienta y la batería. La herramienta se detendrá automáticamente durante la operación si la herramienta o la batería es puesta en una de las condiciones siguientes:

Protección contra sobrecarga

Cuando la batería sea operada de manera que le haga extraer una corriente anormalmente alta, la herramienta se detendrá automáticamente sin ninguna indicación. En esta situación, apague la herramienta y detenga la aplicación que ocasiona la sobrecarga de la herramienta. Después encienda la herramienta para volver a empezar.

Protección contra el recalentamiento

Cuando la herramienta o la batería se recalienta, la herramienta se detiene automáticamente y la lámpara parpadea. En este caso, deje que la herramienta y la batería se enfríen antes de encender la herramienta otra vez.

Protección contra descarga excesiva

Cuando la capacidad de batería no es suficiente, la herramienta se detiene automáticamente. En este caso, retire la batería de la herramienta y cargue la batería.

Accionamiento del interruptor

⚠️ ADVERTENCIA: Antes de insertar el cartucho de batería en la herramienta, compruebe siempre para cerciorarse de que el gatillo interruptor se acciona debidamente y que vuelve a la posición "OFF" cuando lo suelta.

► Fig.3: 1. Gatillo interruptor

Para poner en marcha la herramienta, simplemente apriete el gatillo interruptor. La velocidad de la herramienta aumenta incrementando la presión en el gatillo interruptor. Suelte el gatillo interruptor para parar.

Encendido de la lámpara delantera

► Fig.4: 1. Gatillo interruptor 2. Lámpara

⚠️ PRECAUCIÓN: No mire a la luz ni vea la fuente de luz directamente.

Apriete el gatillo interruptor para encender la lámpara. La lámpara seguirá encendida mientras el gatillo interruptor esté siendo apretado. La lámpara se apagará 10 segundos aproximadamente después de soltar el gatillo interruptor.

NOTA: Utilice un paño seco para quitar la suciedad de la lente de la lámpara. Tenga cuidado de no rayar la lente de la lámpara, porque podrá disminuir la iluminación.

Accionamiento del interruptor inversor

► Fig.5: 1. Palanca del interruptor inversor

⚠️ PRECAUCIÓN: Confirme siempre la dirección de giro antes de la operación.

⚠️ PRECAUCIÓN: Utilice el interruptor inversor solamente después de que la herramienta se haya parado completamente. Si cambia la dirección de giro antes de que la herramienta se haya parado podrá dañarla.

⚠️ PRECAUCIÓN: Cuando no esté utilizando la herramienta, ponga siempre la palanca del interruptor inversor en la posición neutral.


Esta herramienta tiene un interruptor inversor para cambiar la dirección de giro. Presione hacia dentro la palanca del interruptor inversión del lado A para giro hacia la derecha o del lado B para giro hacia la izquierda. Cuando la palanca del interruptor inversor está en la posición neutral, el gatillo interruptor no se puede apretar.

Selección del modo de accionamiento

AVISO: No gire el pomo de cambio del modo de accionamiento cuando la herramienta esté en marcha. La herramienta se dañará.


AVISO: Para evitar un desgaste rápido del mecanismo de cambio de modo, asegúrese de que el pomo de cambio del modo de accionamiento está siempre situado en uno de los modos de accionamiento.

Giro con percusión

Para perforar en hormigón, mampostería, etc., gire el pomo de cambio del modo de accionamiento hasta el símbolo . Utilice una broca con punta de carburo.

► Fig.6: 1. Pomo de cambio del modo de accionamiento

Giro solamente

Para perforar en madera, metal o materiales de plástico, gire el pomo de cambio del modo de accionamiento hasta el símbolo . Utilice una broca helicoidal o broca para madera.

► Fig.7: 1. Pomo de cambio del modo de accionamiento

MONTAJE

⚠ PRECAUCIÓN: Asegúrese siempre de que la herramienta está apagada y el cartucho de batería retirado antes de realizar cualquier trabajo en la herramienta.

Empuñadura lateral (mango auxiliar)

⚠ PRECAUCIÓN: Utilice siempre la empuñadura lateral para garantizar una operación segura.

⚠ PRECAUCIÓN: Después de instalar o ajustar la empuñadura lateral, asegúrese de que la empuñadura lateral está sujeta firmemente.

Instale la empuñadura lateral de forma que las acanaladuras en la empuñadura encajen en las protuberancias en el barril de la herramienta. Gire la empuñadura hacia la derecha para sujetarla. La empuñadura se puede fijar en el ángulo deseado.

► **Fig.8:** 1. Empuñadura lateral

Grasa

Cubra el extremo de la espiga de la broca previamente con una pequeña cantidad de grasa (aprox. 0,5 - 1 g). Esta lubricación del mandril asegurará un accionamiento suave y una vida de servicio más larga.

Instalación o desmontaje de la broca

Limpie el extremo de la espiga de la broca y aplique grasa antes de instalar la broca.

► **Fig.9:** 1. Extremo de la espiga 2. Grasa

Inserte la broca en la herramienta. Gire la broca y empújela hasta que se acople.

Después de instalar la broca, asegúrese siempre de que la broca está sujeta firmemente en su sitio intentando sacarla.

► **Fig.10:** 1. Broca

Para retirar la broca, tire de la cubierta del mandril hacia abajo a tope y extraiga la broca.

► **Fig.11:** 1. Broca 2. Cubierta del mandril

Tope de profundidad

El tope de profundidad resulta útil para perforar agujeros de profundidad uniforme. Afloje la empuñadura lateral e inserte el tope de profundidad en el orificio de la empuñadura lateral. Ajuste el tope de profundidad a la profundidad deseada y apriete la empuñadura lateral firmemente.

► **Fig.12:** 1. Orificio 2. Tope de profundidad

NOTA: Asegúrese de que el tope de profundidad no toca el cuerpo principal de la herramienta cuando lo coloque.

Colector de polvo

Accesorio opcional

Utilice el colector de polvo para evitar que el polvo caiga sobre la herramienta y sobre usted cuando realice operaciones de perforación en lo alto. Coloque el colector de polvo en la broca como se muestra en la figura. El tamaño de las brocas en las que se puede colocar el colector de polvo es como se indica a continuación.

Modelo	Diámetro de la broca
Colector de polvo 5	6 mm - 14,5 mm
Colector de polvo 9	12 mm - 16 mm

► **Fig.13:** 1. Colector de polvo

Juego colector de polvo

Accesorio opcional

Instalación del juego colector de polvo

AVISO: Si adquiere el juego colector de polvo como accesorio opcional, la empuñadura lateral estándar no se puede utilizar con el juego colector de polvo estando instalado en la herramienta. Cuando el juego colector de polvo esté instalado en la herramienta, retire la empuñadura de la empuñadura lateral estándar, y después colóquela en el juego de base de empuñadura opcional.

► **Fig.14:** 1. Perno 2. Empuñadura 3. Juego de base de empuñadura opcional

AVISO: No utilice el juego colector de polvo cuando perforo en metal o similar. El juego colector de polvo se podrá dañar debido al calor producido por el polvo metálico fino o similar. No instale o retire el juego colector de polvo con una broca instalada en la herramienta. El juego colector de polvo se podrá dañar y ocasionar fuga de polvo.

Antes de instalar el juego colector de polvo, retire la broca de la herramienta si está instalada.

1. Instale el espaciador de forma que las acanaladuras en el espaciador encajen en las protuberancias en el barril de la herramienta mientras lo ensancha. Tenga cuidado para que el resorte no se salga de la comisura del espaciador.

► **Fig.15:** 1. Espaciador 2. Resorte

► **Fig.16**

2. Instale la empuñadura lateral (juego de base de empuñadura opcional y la empuñadura retirada de la empuñadura lateral estándar) de forma que la acanaladura en la empuñadura encaje en la protuberancia en el espaciador. Gire la empuñadura hacia la derecha para sujetarla.

► **Fig.17:** 1. Empuñadura lateral

3. Instale el juego colector de polvo de forma que las pinzas del colector de polvo encajen en las comisuras en el espaciador.

► **Fig.18:** 1. Colector de polvo 2. Pinzas

NOTA: Si conecta un aspirador al juego colector de polvo, retire la tapa de polvo antes de conectarlo.

► **Fig.19:** 1. Tapa de polvo

Para retirar la broca

Para retirar la broca, tire de la cubierta del mandril hacia abajo a tope y extraiga la broca.

► **Fig.20:** 1. Broca 2. Cubierta del mandril

Para retirar el juego colector de polvo

Para retirar el juego colector de polvo, siga los pasos de abajo.

1. Afloje la empuñadura lateral.

► **Fig.21:** 1. Empuñadura lateral

2. Sujete la raíz del colector de polvo y sáquelo.

► **Fig.22:** 1. Colector de polvo

NOTA: Si resulta difícil retirar el juego colector de polvo, retire las pinzas del colector de polvo una a una oscilando y tirando de la raíz del colector de polvo.

NOTA: Si la tapa se sale del colector de polvo, colóquela con el lado impreso orientado hacia arriba de tal forma que la acanaladura en la tapa encaje en la periferia interior del accesorio.

► **Fig.23**

Gancho

Accesorio opcional

PRECAUCIÓN: Retire siempre la batería cuando cuelgue la herramienta con el gancho.

PRECAUCIÓN: No cuelgue nunca la herramienta en un lugar alto o superficie potencialmente inestable.

► **Fig.24:** 1. Ranura 2. Gancho 3. Tornillo

El gancho resulta útil para colgar la herramienta temporalmente. Se puede instalar en cualquiera de los lados de la herramienta.

Para instalar el gancho, insértelo en una ranura de cualquiera de los lados de la carcasa de la herramienta y después sujételo con un tornillo. Para retirarlo, afloje el tornillo y después sáquelo.

OPERACIÓN

PRECAUCIÓN: Utilice siempre la empuñadura lateral (mango auxiliar) y sujete la herramienta firmemente por ambos la empuñadura lateral y el mango del interruptor durante las operaciones.


PRECAUCIÓN: Asegúrese siempre de que la pieza de trabajo está sujeta firmemente antes de iniciar la operación.

NOTA: Si el cartucho de batería está en temperatura baja, la capacidad de la herramienta podrá no lograrse completamente. En este caso, caliente el cartucho de batería utilizando la herramienta sin carga durante un rato para obtener completamente la capacidad de la herramienta.

► **Fig.25**

Operación de perforación con percusión

PRECAUCIÓN: En el momento de comenzar a penetrar, cuando se atasca el agujero con virutas y partículas, o cuando se topa con varillas de refuerzo incrustadas en el hormigón, se ejerce una tremenda y repentina fuerza de contorsión sobre la herramienta/broca. **Utilice siempre la empuñadura lateral (mango auxiliar) y sujete la herramienta firmemente por ambos la empuñadura lateral y el mango del interruptor durante las operaciones.** De lo contrario, podrá resultar en la pérdida del control de la herramienta y potencialmente heridas graves.

Ajuste el pomo de cambio del modo de accionamiento en el símbolo .

Coloque la broca en el lugar deseado para el agujero, después apriete el gatillo interruptor. No fuerce la herramienta. Los mejores resultados se obtienen con una ligera presión. Mantenga la herramienta en posición y evite que se deslice y salga del agujero.

No aplique más presión cuando el agujero se atasque con virutas o partículas. En su lugar, haga funcionar la herramienta sin ejercer presión, y después saque parcialmente la broca del agujero. Repitiendo esto varias veces, se limpiará el agujero y podrá reanudarse la perforación normal.

NOTA: Es posible que se produzca excentricidad en el giro de la broca mientras la herramienta funciona sin carga. La herramienta se vuelve a centrar automáticamente durante la operación. Esto no afecta a la precisión de perforación.

Perforación en madera o metal


PRECAUCIÓN: Sujete la herramienta firmemente y tenga cuidado cuando la broca comience a penetrar en la pieza de trabajo. En el momento de comenzar a penetrar se ejerce una fuerza tremenda sobre la herramienta/broca.

PRECAUCIÓN: Una broca atascada podrá extraerse simplemente poniendo el interruptor inversor en giro inverso para que retroceda. Sin embargo, la herramienta podrá retroceder bruscamente si no la sujeta firmemente.

PRECAUCIÓN: Sujete siempre las piezas de trabajo en un tornillo de banco o dispositivo de sujeción similar.

AVISO: No utilice nunca "giro con percusión" cuando esté instalado el mandril para taladro en la herramienta. El mandril para taladro podrá dañarse. Además, el mandril para taladro se caerá cuando invierta el giro de la herramienta.

AVISO: Con ejercer una presión excesiva sobre la herramienta no conseguirá perforar más rápido. De hecho, esta presión excesiva sólo servirá para dañar la punta de la broca, disminuir el rendimiento de la herramienta y acortar la vida de servicio de la herramienta.

Ajuste el pomo de cambio del modo de accionamiento en el símbolo .

Coloque el adaptador de mandril en un mandril de broca sin llave en el que se pueda instalar un tornillo de tamaño 1/2"-20, y después instálelos en la herramienta. Cuando lo instale, consulte la sección "Instalación o desmontaje de la broca".

- **Fig.26:** 1. Conjunto de mandril para taladro
- 2. Adaptador de mandril

NOTA: Algunos elementos de la lista podrán estar incluidos en el paquete de la herramienta como accesorios estándar. Pueden variar de un país a otro.

Soplador

Accesorio opcional

Después de perforar un orificio, utilice el soplador para limpiar el polvo del orificio.

- **Fig.27**

MANTENIMIENTO

⚠PRECAUCIÓN: Asegúrese siempre de que la herramienta está apagada y de que el cartucho de batería está retirado antes de intentar hacer una inspección o mantenimiento.

AVISO: No utilice nunca gasolina, bencina, disolvente, alcohol o similares. Podría producir descoloración, deformación o grietas.

Para mantener la SEGURIDAD y FIABILIDAD del producto, las reparaciones, y cualquier otra tarea de mantenimiento o ajuste deberán ser realizadas en centros de servicio o de fábrica autorizados por Makita, empleando siempre repuestos Makita.

ACCESORIOS OPCIONALES

⚠PRECAUCIÓN: Estos accesorios o aditamentos están recomendados para su uso con la herramienta Makita especificada en este manual.

El uso de cualquier otro accesorio o aditamento puede suponer un riesgo de heridas personales. Utilice el accesorio o aditamento solamente con la finalidad indicada para el mismo.

Si necesita cualquier ayuda para más detalles en relación con estos accesorios, pregunte al centro de servicio Makita local.

- Brocas con punta de carburo (brocas con punta de carburo SDS-plus)
- Adaptador de mandril
- Mandril de broca sin llave
- Grasa para brocas
- Tope de profundidad
- Soplador
- Colector de polvo
- Juego colector de polvo
- Juego de base de empuñadura
- Gafas de seguridad
- Gancho
- Batería y cargador genuinos de Makita
- Maletín de transporte de plástico

ESPECIFICAÇÕES

Modelo:		DHR171
Capacidades de perfuração	Cimento	17 mm
	Aço	10 mm
	Madeira	13 mm
Velocidade sem carga		0 - 680 min ⁻¹
Impactos por minuto		0 - 4.800 min ⁻¹
Comprimento geral		273 mm
Tensão nominal		C.C. 18 V
Bateria padrão		BL1815N / BL1820 / BL1820B / BL1830 / BL1830B / BL1840 / BL1840B / BL1850 / BL1850B / BL1860B
Peso líquido		2,1 - 2,8 kg

- Devido a um programa contínuo de pesquisa e desenvolvimento, estas especificações estão sujeitas a alteração sem aviso prévio.
- As especificações e a bateria podem variar de país para país.
- O peso poderá diferir em função do acessório(s), incluindo a bateria. A combinação mais leve e mais pesada, de acordo com o Procedimento EPTA 01/2014, é apresentada na tabela.

Utilização prevista

A ferramenta serve para perfuração com martelo e perfuração em tijolo, cimento e pedra. É também adequada para perfurar sem impacto em madeira, metal, cerâmica e plástico.

Ruído

A característica do nível de ruído A determinado de acordo com a EN60745:

Nível de pressão acústica (L_{pA}): 86 dB (A)

Nível de potência acústica (L_{WA}): 97 dB (A)

Variabilidade (K): 3 dB (A)

AVISO: Utilize protetores auriculares.

Vibração

Valor total da vibração (soma vetorial tri-axial) determinado de acordo com a EN60745:

Modo de trabalho: perfuração com martelo em cimento

Emissão de vibrações ($a_{h,HD}$): 9,0 m/s²

Variabilidade (K): 1,5 m/s²

Modo de trabalho: perfuração em metal

Emissão de vibração ($a_{h,D}$): 2,5 m/s² ou inferior

Variabilidade (K): 1,5 m/s²

NOTA: O valor da emissão de vibração indicado foi medido de acordo com o método de teste padrão e pode ser utilizado para comparar duas ferramentas.

NOTA: O valor da emissão de vibração indicado pode também ser utilizado na avaliação preliminar da exposição.

AVISO: A emissão de vibração durante a utilização real da ferramenta elétrica pode diferir do valor de emissão indicado, dependendo das formas como a ferramenta é utilizada.

AVISO: Certifique-se de identificar as medidas de segurança para proteção do operador que sejam baseadas em uma estimativa de exposição em condições reais de utilização (considerando todas as partes do ciclo de operação, tal como quando a ferramenta está desligada e quando está a funcionar em marcha lenta além do tempo de acionamento).

Declaração de conformidade da CE

Apenas para os países europeus

A declaração de conformidade da CE está incluída como Anexo A neste manual de instruções.

AVISOS DE SEGURANÇA

Avisos gerais de segurança para ferramentas elétricas

AVISO: Leia todos os avisos de segurança, instruções, ilustrações e especificações fornecidos com esta ferramenta elétrica. O não cumprimento de todas as instruções indicadas em baixo pode resultar em choque elétrico, incêndio e/ou ferimentos graves.

Guarde todos os avisos e instruções para futuras referências.

O termo "ferramenta elétrica" nos avisos refere-se às ferramentas elétricas ligadas à corrente elétrica (com cabo) ou às ferramentas elétricas operadas por meio de bateria (sem cabo).

AVISOS DE SEGURANÇA PARA MARTELETE ROTATIVO A BATERIA

1. Use protetores auditivos. A exposição ao ruído pode causar perda auditiva.
2. Utilize pega(s) auxiliar(es), se fornecida(s) com a ferramenta. A perda de controlo pode causar ferimentos pessoais.
3. Segure a ferramenta elétrica através das superfícies isoladas quando executar uma operação na qual o acessório de corte possa estabelecer contacto com os fios ocultos. O acessório de corte que estabeleça contacto com um fio sob tensão pode colocar as peças metálicas expostas da ferramenta elétrica sob tensão e pode provocar choque elétrico no operador.
4. Use capacete (capacete de segurança), óculos de proteção e/ou viseira. Os óculos com graduação ou óculos de sol NÃO são óculos de segurança. Recomenda-se também o uso de uma máscara antipoeira e luvas forradas grossas.
5. Certifique-se de que a broca está fixa na posição correta antes da operação.
6. Nas condições normais de operação, a ferramenta destina-se a produzir vibração. Os parafusos podem ser facilmente desapertados, causando uma avaria ou acidente. Verifique cuidadosamente o aperto dos parafusos antes da operação.
7. No tempo frio ou no caso de a ferramenta não ter sido utilizada por um longo período, deixe a ferramenta a aquecer durante algum tempo, operando-a sem carga. Isto irá soltar a lubrificação. Sem o aquecimento apropriado, a operação de martelagem torna-se difícil.
8. Certifique-se sempre que possui uma base firme. Certifique-se de que ninguém está por baixo quando usa a ferramenta em locais elevados.
9. Segure a ferramenta firmemente com as duas mãos.
10. Mantenha as mãos afastadas das peças móveis.
11. Não deixe a ferramenta a funcionar. Opere a ferramenta apenas quando a estiver a agarrar.
12. Não aponte a ferramenta a ninguém que se encontre na área quando estiver a operá-la. A broca pode ser projetada e ferir alguém gravemente.
13. Não toque na broca, nas peças próximo da broca ou na peça de trabalho imediatamente após a operação; estas podem estar extremamente quentes e podem queimar a sua pele.
14. Alguns materiais contêm químicos que podem ser tóxicos. Tome cuidado para evitar a inalação de poeira e o contacto com a pele. Siga os dados de segurança do fornecedor do material.
15. Certifique-se sempre de que a ferramenta está desligada e que retirou a bateria e a broca antes de passar a ferramenta a outra pessoa.

GUARDE ESTAS INSTRUÇÕES.

AVISO: NÃO permita que conforto ou familiaridade com o produto (adquirido com o uso repetido) substitua a aderência estrita às regras de segurança da ferramenta. **MÁ INTERPRETAÇÃO** ou não seguimento das regras de segurança estabelecidas neste manual de instruções pode causar danos pessoais sérios.

Instruções de segurança importantes para a bateria

1. Antes de utilizar a bateria, leia todas as instruções e etiquetas de precaução no (1) carregador de bateria (2) bateria e (3) produto que utiliza a bateria.
2. Não abra a bateria.
3. Se o tempo de funcionamento se tornar excessivamente curto, pare o funcionamento imediatamente. Pode resultar em sobreaquecimento, possíveis queimaduras e mesmo explosão.
4. Se entrar eletrólito nos seus olhos, lave-os com água e consulte imediatamente um médico. Pode resultar em perda de visão.
5. Não coloque a bateria em curto-circuito:
 - (1) Não toque nos terminais com qualquer material condutor.
 - (2) Evite guardar a bateria juntamente com outros objetos metálicos tais como pregos, moedas, etc.
 - (3) Não exponha a bateria à água ou chuva. Um curto-circuito pode ocasionar um enorme fluxo de corrente, sobreaquecimento, possíveis queimaduras e mesmo estragar-se.
6. Não guarde a ferramenta e a bateria em locais onde a temperatura pode atingir ou exceder 50°C.
7. Não queime a bateria mesmo que esteja estragada ou completamente gasta. A bateria pode explodir no fogo.
8. Tenha cuidado para não deixar cair ou dar pancadas na bateria.
9. Não utilize uma bateria danificada.
10. As baterias de íões de lítio contidas na ferramenta são sujeitas aos requisitos da DGL (Dangerous Goods Legislation - Legislação de bens perigosos).

Para o transporte comercial, por exemplo, por terceiros ou agentes de expedição, têm de ser observados os requisitos referentes à embalagem e etiquetagem.

Para preparação do artigo a ser expedido, é necessário consultar um perito em materiais perigosos. Tenha ainda em conta a possibilidade de existirem regulamentos nacionais mais detalhados. Coloque fita-cola ou tape os contactos abertos e embale a bateria de tal forma que não possa mover-se dentro da embalagem.
11. Siga os regulamentos locais relacionados com a eliminação de baterias.
12. Utilize as baterias apenas com os produtos especificados pela Makita. Instalar as baterias em produtos não-conformes poderá resultar num incêndio, calor excessivo, explosão ou fuga de eletrólito.

GUARDE ESTAS INSTRUÇÕES.

PRECAUÇÃO: Utilize apenas baterias genuínas da Makita. A utilização de baterias não genuínas da Makita ou de baterias que foram alteradas, pode resultar no rebentamento da bateria provocando incêndios, ferimentos pessoais e danos. Além disso, anulará da garantia da Makita no que se refere à ferramenta e ao carregador Makita.

Conselhos para manter a máxima vida útil da bateria

1. Carregue a bateria antes que esteja completamente descarregada. Pare sempre o funcionamento da ferramenta e carregue a bateria quando notar menos poder na ferramenta.
2. Nunca carregue uma bateria completamente carregada. Carregamento excessivo diminui a vida útil da bateria.
3. Carregue a bateria à temperatura ambiente de 10°C – 40°C. Deixe que uma bateria quente arrefeça antes de a carregar.
4. Carregue a bateria se não a utilizar durante um longo período de tempo (mais de seis meses).

DESCRIÇÃO FUNCIONAL

⚠️PRECAUÇÃO: Certifique-se sempre de que a ferramenta está desligada e a bateria foi retirada antes de regular ou verificar qualquer função na ferramenta.

Instalação ou remoção da bateria

⚠️PRECAUÇÃO: Desligue sempre a ferramenta antes de colocar ou retirar a bateria.

⚠️PRECAUÇÃO: Segure firmemente a ferramenta e a bateria quando instalar ou remover a bateria. Se não segurar firmemente a ferramenta e a bateria pode fazer com que escorreguem das suas mãos resultando em danos na ferramenta e na bateria e ferimentos pessoais.

► Fig.1: 1. Indicador vermelho 2. Botão 3. Bateria

Para retirar a bateria, deslize-a para fora da ferramenta enquanto desliza o botão na frente da bateria.

Para instalar a bateria, alinhe a lingueta da bateria com a ranhura no compartimento e deslize-a no lugar. Empurre-a até o fim para que a mesma encaixe no lugar com um clique. Se puder ver a parte vermelha no lado superior do botão, significa que não está completamente bloqueada.

⚠️PRECAUÇÃO: Instale sempre a bateria até ao fim, até deixar de ver o indicador vermelho. Caso contrário, a bateria poderá cair da ferramenta acidentalmente e provocar ferimentos em si mesmo ou em alguém próximo.

⚠️PRECAUÇÃO: Não instale a bateria à força. Se a bateria não deslizar facilmente é porque não foi colocada corretamente.

Indicação da capacidade restante da bateria

Apenas para baterias com indicador

► Fig.2: 1. Luzes indicadoras 2. Botão de verificação

Primeira o botão de verificação na bateria para indicar a capacidade restante da bateria. As luzes indicadoras acendem durante alguns segundos.

Luzes indicadoras			Capacidade restante
Aceso	Apagado	A piscar	
■	□	◐	75% a 100%
■	■	■	
■	■	□	50% a 75%
■	■	□	25% a 50%
■	□	□	0% a 25%
◐	□	□	Carregar a bateria.
■	■	□	A bateria pode estar avariada.
□	□	■	

NOTA: Dependendo das condições de utilização e da temperatura ambiente, a indicação pode ser ligeiramente diferente da capacidade real.

Sistema de proteção da ferramenta/bateria

A ferramenta está equipada com um sistema de proteção da ferramenta/bateria. Este sistema corta automaticamente a corrente para o motor para aumentar a vida da ferramenta e da bateria. A ferramenta para automaticamente durante o funcionamento se a ferramenta ou bateria for colocada mediante uma das seguintes condições:

Proteção contra sobrecarga

Quando a bateria é operada de forma a puxar uma corrente anormalmente elevada, a ferramenta para automaticamente sem qualquer indicação. Nesse caso, desligue a ferramenta e pare a operação que provocou a sobrecarga da ferramenta. Em seguida, volte a ligar a ferramenta para a reiniciar.

Proteção contra sobreaquecimento

Quando a ferramenta ou a bateria estiver sobreaquecida, a ferramenta para automaticamente e a lâmpada pisca. Neste caso, deixe a ferramenta e a bateria arrefecerem antes de ligar novamente a ferramenta.

Proteção contra descarga excessiva

Quando a capacidade da bateria não é suficiente, a ferramenta para automaticamente. Neste caso, retire a bateria da ferramenta e carregue-a.

Ação do interruptor

⚠️ AVISO: Antes de colocar a bateria na ferramenta, verifique sempre se o gatilho do interruptor funciona corretamente e volta para a posição “OFF” quando libertado.

► Fig.3: 1. Gatilho

Para iniciar a ferramenta, carregue simplesmente no gatilho. A velocidade da ferramenta aumenta quando aumenta a pressão no gatilho. Liberte o gatilho para parar.

Acender a lâmpada da frente

► Fig.4: 1. Gatilho do interruptor 2. Lâmpada

⚠️ PRECAUÇÃO: Não olhe para a luz ou para a fonte de iluminação diretamente.

Puxe o gatilho do interruptor para acender a lâmpada. A lâmpada mantém-se acesa enquanto o gatilho do interruptor estiver a ser premido. A lâmpada apaga-se aproximadamente 10 segundos após soltar o gatilho do interruptor.

NOTA: Utilize um pano seco para limpar a sujidade da lente da lâmpada. Tenha cuidado para não riscar a lente da lâmpada ou a iluminação pode ficar enfraquecida.

Ação do interruptor de inversão

► Fig.5: 1. Alavanca do interruptor de inversão

⚠️ PRECAUÇÃO: Verifique sempre a direção de rotação antes da operação.

⚠️ PRECAUÇÃO: Só utilize o interruptor de inversão depois de a ferramenta estar completamente parada. Mudar a direção de rotação antes de a ferramenta parar pode estragar a ferramenta.

⚠️ PRECAUÇÃO: Quando não estiver a utilizar a ferramenta, coloque sempre a alavanca do interruptor de inversão na posição neutra.


Esta ferramenta tem um interruptor de inversão para mudar a direção de rotação. Pressione a alavanca do interruptor de inversão no lado A para rotação para a direita ou no lado B para rotação para a esquerda. Quando a alavanca do interruptor de inversão está na posição neutra, não é possível carregar no gatilho.

Selecionar o modo de ação

OBSERVAÇÃO: Não rode o botão de alteração do modo de ação quando a ferramenta estiver em funcionamento. A ferramenta sofrerá danos.


OBSERVAÇÃO: Para evitar o desgaste rápido no mecanismo de alteração do modo, certifique-se de que o botão de alteração do modo de ação está sempre posicionado numa das posições do modo de ação.

Rotação com martelagem

Para perfuração em cimento, alvenaria, etc. rode o botão de alteração do modo de ação para o símbolo . Utilize uma broca de perfurar com ponta de carboneto.

► Fig.6: 1. Botão de alteração do modo de ação

Apenas rotação

Para perfurar em materiais de madeira, metal ou plástico, rode o botão de alteração do modo de ação para o símbolo . Utilize uma broca de perfurar helicoidal ou broca de perfurar em madeira.

► Fig.7: 1. Botão de alteração do modo de ação

MONTAGEM

⚠️ PRECAUÇÃO: Certifique-se sempre de que a ferramenta está desligada e a bateria retirada antes de executar qualquer trabalho na ferramenta.

Pega lateral (pega auxiliar)

⚠️ PRECAUÇÃO: Utilize sempre a pega lateral para garantir uma operação segura.

⚠️ PRECAUÇÃO: Após instalar ou ajustar a pega lateral, certifique-se de que a pega lateral está firmemente segura.

Instale o punho lateral de modo a que os entalhes no punho encaixem nas saliências no cilindro da ferramenta. Rode o punho para a direita para fixá-lo. O punho pode ser fixo no ângulo pretendido.

► Fig.8: 1. Pega lateral

Massa lubrificante

Aplique previamente uma pequena camada de massa lubrificante (cerca de 0,5 - 1 g) na extremidade da haste da broca de perfurar.

Esta lubrificação do mandril garante uma ação sem problemas e uma vida útil mais prolongada.

Instalar ou remover a broca de perfurar

Limpe a extremidade da haste da broca de perfurar e aplique massa lubrificante antes de instalar a broca de perfurar.

► Fig.9: 1. Extremidade da haste 2. Massa lubrificante

Insira a broca de perfurar na ferramenta. Rode a broca de perfurar e empurre-a para dentro até engatar. Após instalar a broca de perfurar, certifique-se de que a broca de perfurar está bem segura na posição correta, tentando retirá-la.

► Fig.10: 1. Broca de perfurar

Para remover a broca de perfurar, puxe a tampa do mandril completamente para baixo e extraia a broca de perfurar.

► Fig.11: 1. Broca de perfurar 2. Tampa do mandril

Micrômetro de profundidade

O micrômetro de profundidade é conveniente para perfurar orifícios de profundidade uniforme. Solte o punho lateral e insira o micrômetro de profundidade no orifício no punho lateral. Ajuste o micrômetro de profundidade para a profundidade pretendida e aperte firmemente o punho lateral.

► **Fig.12:** 1. Orifício 2. Micrômetro de profundidade

NOTA: Certifique-se de que o micrômetro de profundidade não toca no corpo principal da ferramenta quando o liga.

Reservatório de pó

Acessório opcional

Utilize o reservatório de pó para evitar que o pó caia sobre a ferramenta e sobre si quando realizar operações de perfuração acima da cabeça. Ligue o reservatório de pó à broca, conforme indicado na figura. O tamanho das brocas às quais o reservatório de pó pode ser ligado é o seguinte.

Modelo	Diâmetro da broca
Reservatório de pó 5	6 mm - 14,5 mm
Reservatório de pó 9	12 mm - 16 mm

► **Fig.13:** 1. Reservatório de pó

Conjunto do reservatório de pó

Acessório opcional

Instalar o conjunto do reservatório de pó

OBSERVAÇÃO: Se comprar o conjunto do reservatório de pó como acessório opcional, o punho lateral padrão não pode ser utilizado quando o conjunto do reservatório de pó estiver a ser instalado na ferramenta. Quando o conjunto do reservatório de pó estiver instalado na ferramenta, remova o punho do punho lateral padrão e, de seguida, anexe-o no conjunto da base do punho opcional.

► **Fig.14:** 1. Perno 2. Punho 3. Conjunto da base do punho opcional

OBSERVAÇÃO: Não utilize o conjunto do reservatório de pó quando perfurar em metal ou similar. Poderá danificar o conjunto do reservatório de pó devido ao calor produzido por pó metálico pequeno ou similar. Não instale ou remova o conjunto do reservatório de pó com a broca de perfurar instalada na ferramenta. Poderá danificar o conjunto do reservatório de pó e causar uma fuga de pó.

Antes de instalar o conjunto do reservatório de pó, remova a broca da ferramenta, caso instalada.

1. Instale o espaçador de modo a que os entalhes no espaçador encaixem nas saliências no cilindro da ferramenta enquanto o expande. Tenha cuidado para que a mola não saia da fenda do espaçador.

► **Fig.15:** 1. Espaçador 2. Mola

► **Fig.16**

2. Instale o punho lateral (conjunto da base do punho opcional e o punho removido do punho lateral padrão) de modo a que o entalhe no punho encaixe na saliência no espaçador. Rode o punho para a direita para fixá-lo.

► **Fig.17:** 1. Punho lateral

3. Instale o conjunto do reservatório de pó de modo a que as garras do reservatório de pó encaixem nas fendas no espaçador.

► **Fig.18:** 1. Reservatório de pó 2. Garras

NOTA: Se ligar um aspirador ao conjunto do reservatório de pó, remova a tampa de pó antes de ligá-lo.

► **Fig.19:** 1. Tampa de pó

Remover a broca de perfuração

Para remover a broca de perfurar, puxe a tampa do mandril completamente para baixo e extraia a broca de perfurar.

► **Fig.20:** 1. Broca 2. Tampa do mandril

Remover o conjunto do reservatório de pó

Siga os passos seguintes para remover o conjunto do reservatório de pó.

1. Solte o punho lateral.

► **Fig.21:** 1. Punho lateral

2. Segure na base do reservatório de pó e retire-a.

► **Fig.22:** 1. Reservatório de pó

NOTA: Se for difícil remover o conjunto do reservatório de pó, remova as garras do reservatório de pó uma por uma, rodando e puxando a base do reservatório de pó.

NOTA: Se a tampa sair do reservatório de pó, ligue-a com o lado impresso virado para cima, de modo a que a ranhura na tampa encaixe na periferia interior do acessório.

► **Fig.23**

Gancho

Acessório opcional

PRECAUÇÃO: Remova sempre a bateria quando pendurar a ferramenta com o gancho.

PRECAUÇÃO: Nunca pendure a ferramenta num local elevado ou numa superfície potencialmente instável.

► **Fig.24:** 1. Ranhura 2. Gancho 3. Parafuso

O gancho é conveniente para pendurar a ferramenta temporariamente. Este pode ser instalado em ambos os lados da ferramenta.

Para instalar o gancho, insira-o numa ranhura no compartimento da ferramenta em qualquer um dos lados e fixe-o com um parafuso. Para removê-lo, solte o parafuso e, de seguida, remova-o.

OPERAÇÃO

⚠️ PRECAUÇÃO: Utilize sempre o punho lateral (pega auxiliar) e segure firmemente a ferramenta pelos dois punhos laterais e troque a pega durante as operações.


⚠️ PRECAUÇÃO: Certifique-se sempre de que a peça de trabalho está fixa antes da operação.

NOTA: Se a bateria estiver a baixa temperatura, a capacidade da ferramenta poderá não ser totalmente obtida. Neste caso, aqueça a bateria utilizando a ferramenta sem carga durante algum tempo para obter a capacidade total da ferramenta.

► Fig.25

Operação de perfuração com martelo

⚠️ PRECAUÇÃO: Uma força de torção enorme e repentina é exercida na ferramenta/broca de perfuração à altura em que o orifício avança, quando o orifício fica bloqueado com aparas ou partículas ou quando bate em vigas reforçadas no cimento. **Utilize sempre o punho lateral (pega auxiliar) e segure firmemente a ferramenta pelos dois punhos laterais e troque a pega durante as operações.** Se assim não for pode resultar em perda de controlo da ferramenta e possíveis ferimentos graves.

Defina o botão de alteração do modo de ação para o símbolo .

Coloque a broca de perfurar na posição pretendida para o orifício e carregue no gatilho do interruptor. Não force a ferramenta. Uma pressão ligeira oferece melhores resultados. Mantenha a ferramenta em posição e evite que deslize para fora do orifício.

Não aplique mais pressão quando o orifício fica bloqueado com aparas ou partículas. Em vez disso, coloque a ferramenta em ponto morto e retire a broca de perfurar parcialmente do orifício. Repetindo isto várias vezes, o orifício ficará limpo e pode voltar à perfuração normal.

NOTA: A excentricidade na rotação da broca de perfurar poderá ocorrer enquanto opera a ferramenta sem carga. A ferramenta centra-se automaticamente durante a operação. Isto não afeta a precisão de perfuração.

Perfuração em madeira ou metal


⚠️ PRECAUÇÃO: Segure a ferramenta com firmeza e tenha cuidado quando a broca de perfuração começar a atravessar a peça de trabalho. No momento de atravessar o orifício, exercer-se-á uma enorme força na ferramenta/broca de perfuração.

⚠️ PRECAUÇÃO: Uma broca de perfuração presa pode ser retirada colocando-se simplesmente o interruptor de inversão para rotação inversa para fazê-la sair. No entanto, a ferramenta pode saltar para trás de repente se não a agarrar firmemente.

⚠️ PRECAUÇÃO: Fixe sempre as peças de trabalho num torno ou outro dispositivo de fixação semelhante.

OBSERVAÇÃO: Nunca utilize “rotação com martelagem” quando o mandril porta-broca estiver instalado na ferramenta. O mandril porta-brocas sofrerá danos. Além disso, o mandril porta-brocas será extraído quando a ferramenta efetuar a rotação.

OBSERVAÇÃO: Não acelerará a perfuração se exercer demasiada pressão na ferramenta. Na realidade, esta pressão excessiva servirá apenas para danificar a ponta da broca de perfuração, diminuir o desempenho da ferramenta e encurtar o tempo de vida útil da ferramenta.

Defina o botão de alteração do modo de ação para o símbolo . Anexe o adaptador do mandril a um mandril da broca sem chave ao qual pode ser instalado um parafuso de tamanho 1/2"-20 e, de seguida, instale-os à ferramenta. Quando instalar o conjunto do mandril porta-brocas, consulte a secção “Instalar ou remover a broca de perfurar”.

► Fig.26: 1. Conjunto do mandril porta-brocas
2. Adaptador do mandril

Ampola de sopragem

Acessório opcional

Após perfurar o orifício, utilize a ampola de sopragem para limpar o pó do orifício.

► Fig.27

MANUTENÇÃO

⚠️ PRECAUÇÃO: Certifique-se sempre de que a ferramenta se encontra desligada e de que a bateria foi retirada antes de executar qualquer inspeção ou manutenção.

OBSERVAÇÃO: Nunca utilize gasolina, benzina, diluente, álcool ou produtos semelhantes. Pode ocorrer a descoloração, deformação ou rachaduras.

Para manter a SEGURANÇA e a FIABILIDADE do produto, as reparações e qualquer outra manutenção ou ajuste devem ser levados a cabo pelos centros de assistência Makita autorizados ou pelos centros de assistência de fábrica, utilizando sempre peças de substituição Makita.

ACESSÓRIOS OPCIONAIS

⚠️ PRECAUÇÃO: Estes acessórios ou peças são recomendados para utilização com a ferramenta Makita especificada neste manual. A utilização de outros acessórios ou peças pode ser perigosa para as pessoas. Utilize apenas acessórios ou peças para os fins indicados.

Se necessitar de informações adicionais relativas a estes acessórios, solicite-as ao seu centro de assistência Makita.

- Brocas de perfurar com ponta de carboneto (brocas de perfurar com ponta de carboneto SDS-plus)
- Adaptador do mandril
- Mandril da broca sem chave
- Massa lubrificante da broca
- Micrómetro de profundidade
- Ampola de sopragem
- Reservatório de pó
- Conjunto do reservatório de pó
- Conjunto da base do punho
- Óculos de segurança
- Gancho
- Bateria e carregador genuínos da Makita
- Mala de transporte em plástico

NOTA: Alguns itens da lista podem estar incluídos na embalagem da ferramenta como acessórios padrão. Eles podem variar de país para país.

SPECIFIKATIONER

Model:		DHR171
Borekapacitet	Beton	17 mm
	Stål	10 mm
	Træ	13 mm
Hastighed uden belastning		0 - 680 min ⁻¹
Slag pr. minut		0 - 4.800 min ⁻¹
Længde i alt		273 mm
Mærkespænding		18 V DC
Standard-akku		BL1815N / BL1820 / BL1820B / BL1830 / BL1830B / BL1840 / BL1840B / BL1850 / BL1850B / BL1860B
Nettovægt		2,1 - 2,8 kg

- På grund af vores kontinuerlige forsknings- og udviklingsprogrammer kan hosstående specifikationer blive ændret uden varsel.
- Specifikationer og akku kan variere fra land til land.
- Vægten kan være anderledes afhængigt af tilbehøret, inklusive akkuen. Den letteste og tungeste kombination i henhold til EPA-procedure 01/2014 er vist i tabellen.

Tilsigtet brug

Denne maskine er beregnet til slagboring og boring i mursten, beton og sten.

Den er også egnet til boring uden slag i træ, metal, keramik og plastik.

Lyd

Det typiske A-vægtede støjniveau bestemt i overensstemmelse med EN60745:

Lydtryksniveau (L_{pA}): 86 dB (A)

Lyd effektiveau (L_{WA}): 97 dB (A)

Usikkerhed (K): 3 dB (A)

⚠ ADVARSEL: Bær høreværn.

Vibration

Vibrationens totalværdi (tre-aksial vektorsum) bestemt i overensstemmelse med EN60745:

Arbejdstilstand: hammerboring i beton

Vibrationsafgivelse ($a_{h,HD}$): 9,0 m/s²

Usikkerhed (K): 1,5 m/s²

Arbejdstilstand: boring i metal

Vibrationsemission ($a_{h,D}$): 2,5 m/s² eller mindre

Usikkerhed (K): 1,5 m/s²

BEMÆRK: Den angivne vibrationsemissionsværdier blevet målt i overensstemmelse med standardtestmetoden og kan anvendes til at sammenligne et værktøj med et andet.

BEMÆRK: Den angivne vibrationsemissionsværdien kan også anvendes i en præliminær eksponeringsvurdering.

⚠ ADVARSEL: Vibrationsemissionen under den faktiske anvendelse af værktøjet kan være forskellig fra den erklærede emissionsværdi, afhængigt af den måde, hvorpå værktøjet anvendes.

⚠ ADVARSEL: Sørg for at identificere de sikkerhedsforskrifter til beskyttelse af operatøren, som er baseret på en vurdering af eksponering under de faktiske brugsforhold (med hensyntagen til alle dele i brugscyklussen, f.eks. de gange, hvor værktøjet er slukket, og når det kører i tomgang i tilgift til afbrydertiden).

EU-overensstemmelseserklæring

Kun for lande i Europa

EU-overensstemmelseserklæringen er inkluderet som Bilag A i denne brugsanvisning.

SIKKERHEDSADVARSLER

Almindelige sikkerhedsregler for el-værktøj

⚠ ADVARSEL: Læs alle de sikkerhedsadvarsler, instruktioner, illustrationer og specifikationer, der følger med denne maskine. Forsømmelse af at overholde alle nedenstående instruktioner kan medføre elektrisk stød, brand og/eller alvorlig personskade.

Gem alle advarsler og instruktioner til fremtidig reference.

Ordet "el-værktøj" i advarslerne henviser til det netforsyede (netledning) el-værktøj eller batteriforsyede (akku) el-værktøj.

SIKKERHEDSADVARSLER FOR AKKU-BOREHAMMER

1. **Bær høreværn.** Udsættelse for støj kan medføre høreskader.
2. **Brug hjælpehåndtaget (-håndtagene), hvis sådanne følger med maskinen.** Hvis herredømmet over maskinen mistes, kan det føre til tilskadekomst.
3. **Hold maskinen i de isolerede håndtagsflader, når der udføres et arbejde, hvor det skærende tilbehør kan komme i kontakt med skjulte ledninger.** Skærende tilbehør, som kommer i kontakt med en strømførende ledning, kan bevirke, at udsatte metaldele på maskinen bliver strømførende, hvorved operatøren kan få elektrisk stød.
4. **Bær hjelm (sikkerhedshjelm), sikkerhedsbriller og/eller ansigtsskjold.** Almindelige briller eller solbriller er IKKE sikkerhedsbriller. Det anbefales desuden på det kraftigste at bære støvmaske og kraftigt polstrede handsker.
5. **Sørg for, at bitten sidder godt fast før brugen.**
6. **Maskinen er designet til at forårsage vibration ved normal brug.** Skruerne kan nemt løsne sig og medføre et nedbrud eller en ulykke. Kontroller før brugen, at skruerne sidder stramt.
7. **I koldt vejr, eller hvis maskinen ikke har været anvendt i længere tid, skal du lade maskinen varme op et stykke tid ved at lade den køre i tomgang.** Derved blødgøres smøremidlet. Uden korrekt opvarmning kan det være vanskeligt at betjene hammeren.
8. **Vær altid sikker på, at De har et godt fodfæste.** Vær sikker på, at der ikke befinder sig nogen nedenunder, når maskinen anvendes i højden.
9. **Hold godt fast i maskinen med begge hænder.**
10. **Hold hænderne på afstand fra bevægelige dele.**
11. **Lad ikke maskinen køre i tomgang.** Anvend kun maskinen håndholdt.
12. **Ret ikke maskinen mod personer i nærheden, mens den kører.** Bitten kan flyve ud og forårsage alvorlig personskade.
13. **Rør ikke ved bitten eller dele i nærheden af bitten eller arbejdsområdet umiddelbart efter brugen.** De kan være meget varme og kan forårsage forbrændinger af huden.
14. **Nogle materialer indeholder kemikalier, som kan være giftige.** Vær påpasselig med at forhindre inhalering af støv og hudkontakt. Følg materiale-leverandørens sikkerhedsdata.
15. **Sørg altid for, at der er slukket for maskinen, og at akkuen og bitten er fjernet, før du overdrager maskinen til en anden person.**

GEM DENNE BRUGSANVISNING.

⚠ ADVARSEL: LAD IKKE bekvemmelighed eller kendskab til produktet (opnået gennem gentagen brug) forhindre, at sikkerhedsforskrifterne for produktet nøje overholdes. MISBRUG eller forsummelse af at følge de i denne brugsvejledning givne sikkerhedsforskrifter kan føre til, at De kommer alvorligt til skade.

Vigtige sikkerhedsinstruktioner for akkuen

1. **Læs alle instruktioner og advarselmærkater på (1) akku-opladeren, (2) akkuen og (3) produktet, som anvender akku.**
2. **Lad være med at skille akkuen ad.**
3. **Hold straks op med anvendelsen, hvis brugstiden er blevet stærkt afkortet.** Fortsat anvendelse kan resultere i risiko for overophedning, forbrændinger og endog eksplosion.
4. **Hvis De har fået elektrolytvæske i øjnene, skal De straks skylle den ud med rent vand og derefter øjeblikkeligt søge lægehjælp.** I modsat fald kan De miste synet.
5. **Vær påpasselig med ikke at komme til at kortslutte akkuen:**
 - (1) Rør ikke ved terminalerne med noget ledende materiale.
 - (2) Undgå at opbevare akkuen i en beholder sammen med andre genstande af metal, for eksempel søm, mønter og lignende.
 - (3) Udsæt ikke akkuen for vand eller regn. Kortslutning af akkuen kan forårsage en kraftig øgning af strømmen, overophedning, mulige forbrændinger og endog værktøjstop.
6. **Opbevar ikke værktøjet og akkuen på et sted, hvor temperaturen kan nå eller overstige 50 °C.**
7. **Lad være med at brænde akkuen, selv ikke i tilfælde, hvor den har lidt alvorlig skade eller er fuldstændig udtjent.** Akkuen kan eksplodere, hvis man forsøger at brænde den.
8. **Lad være med at brænde akkuen eller udsætte den for stød.**
9. **Anvend ikke en beskadiget akku.**
10. **De indbyggede litium-ion-batterier er underlagt lovkrav vedrørende farligt gods.** Ved kommerciel transport, f.eks. af tredjeparts transportselskaber, skal særlige krav til forpakning og mærkning overholdes. Ved forberedelse af udstyret til forsendelse skal du kontakte en ekspert i farligt gods. Overhold også eventuel mere detaljeret national lovgivning. Tape eller tildæk åbne kontakter, og pak batteriet på en måde, så det ikke kan flytte sig rundt i pakningen.
11. **Følg de lokale love vedrørende bortskaffelsen af batterier.**
12. **Brug kun batterierne med de produkter, som Makita specificerer.** Hvis batterierne installeres i ikke-kompatible produkter, kan det medføre brand, kraftig varme, eksplosion eller udsivning af elektrolyt.

GEM DENNE BRUGSANVISNING.

⚠ FORSIGTIG: Brug kun originale batterier fra Makita. Brug af uoriginale Makita-batterier, eller batterier som er blevet ændret, kan muligvis medføre brud på batteriet, hvilket kan forårsage brand, personskade eller beskadigelse. Det ugyldiggør også Makita-garantien for Makita-maskinen og opladeren.

Tips til opnåelse af maksimal akku-levetid

1. Oplad akkuen, inden den er helt afladet. Stop altid værktøjet, og oplad akkuen, hvis De bemærker, at værktøjeffekten er aftagende.
2. Genoplad aldrig en fuldt opladet akku. Overoplading vil afkorte akkuens levetid.
3. Oplad akkuen ved stuetemperatur ved 10 °C - 40 °C. Lad altid en varm akku få tid til at køle af, inden den oplades.
4. Oplad akkuen, hvis De ikke skal bruge den i længere tid (mere end seks måneder).

FUNKTIONSBESKRIVELSE

⚠FORSIGTIG: Sørg altid for at maskinen er slukket, og at akkuen er taget ud, før der udføres justering eller kontrol af funktioner på maskinen.

Isætning eller fjernelse af akkuen

⚠FORSIGTIG: Sluk altid for værktøjet, før De monterer eller fjerner akkuen.

⚠FORSIGTIG: Hold værktøjet og akkuen fast ved montering eller fjernelse af akkuen. Hvis De ikke holder værktøjet og akkuen fast, kan de glide ud af hænderne på Dem og forårsage beskadigelse af værktøjet og akkuen eller personskaade.

► Fig.1: 1. Rød indikator 2. Knap 3. Akku

Akkuen fjernes ved, at De trækker den ud af værktøjet, idet De skyder knappen på forsiden af akkuen i stilling.

Akkuen monteres ved, at De sætter tungen på akkuen ud for noten i kabinettet og lader den glide på plads. Sæt den hele vejen ind, så den låses på plads med et lille klik. Hvis den røde indikator på oversiden af knappen er synlig, betyder det, at den ikke er tilstrækkeligt låst.

⚠FORSIGTIG: Monter altid akkuen helt, indtil den røde indikator ikke længere er synlig. Hvis dette ikke gøres, kan den falde ud af værktøjet ved et uheld, hvorved De selv eller personer i nærheden kan komme til skade.

⚠FORSIGTIG: Brug ikke magt ved montering af akkuen. Hvis akkuen ikke glider på plads uden problemer, betyder det, at den ikke sættes i på korrekt vis.

Indikation af den resterende batteriladning

Kun til akkuer med indikatoren

► Fig.2: 1. Indikatorlamper 2. Kontrolknap

Tryk på kontrolknappen på akkuen for at få vist den resterende batteriladning. Indikatorlampen lyser i nogle sekunder.

Indikatorlamper			Resterende ladning
Tændt	Slukket	Blinker	
■ ■ ■ ■			75% til 100%
■ ■ ■ □			50% til 75%
■ ■ □ □			25% til 50%
■ □ □ □			0% til 25%
▣ □ □ □			Genoplad batteriet.
■ ■ □ □			Der er muligvis fejl i batteriet.
□ □ ■ ■			

BEMÆRK: Afhængigt af brugsforholdene og den omgivende temperatur kan indikationen afvige en smule fra den faktiske ladning.

Beskyttelsessystem til værktøj/batteri

Maskinen er udstyret med et beskyttelsessystem til maskinen/batteriet. Dette system afbryder automatisk strømmen til motoren for at forlænge maskinens og batteriets levetid. Maskinen stopper automatisk under brugen, hvis maskinen eller batteriet udsættes for et af følgende forhold:

Overbelastningsbeskyttelse

Hvis batteriet bruges på en måde, der får det til at trække en unormalt høj strøm, stopper maskinen automatisk uden indikation. Sluk i så fald for maskinen, og stop den anvendelse, der medførte overbelastningen af maskinen. Tænd derefter for maskinen for at starte igen.

Beskyttelse mod overophedning

Hvis maskinen eller batteriet er overophedet, stopper maskinen automatisk, og lampen blinker. Lad i så fald maskinen og batteriet køle ned, før der tændes for maskinen igen.

Beskyttelse mod overafledning

Når batteriladningen er utilstrækkelig, stopper maskinen automatisk. Tag i så fald akkuen ud af maskinen, og oplad akkuen.

Afbryderbetjening

⚠ ADVARSEL: Inden akkuen sættes i maskinen, bør De altid kontrollere, at afbryderknappen fungerer korrekt, og returnerer til "OFF"-positionen, når den slippes.

► Fig.3: 1. Afbryderknop

For at starte maskinen trykkes der blot på afbryderknappen. Maskinens hastighed øges ved at øge trykket på afbryderknappen. Slip afbryderknappen for at stoppe.

Tænding af lampen foran

► Fig.4: 1. Afbryderknop 2. Lampe

⚠ FORSIGTIG: Kig aldrig direkte på lyskilden. Lad ikke lyset falde i Deres øjne.

Tryk afbryderknappen ind for at tænde for lampen. Lampen fortsætter med at lyse, så længe afbryderknappen trykkes ind. Lampen slukker omkring 10 sekunder efter at afbryderknappen er udløst.

BEMÆRK: Brug en tør klud til at tørre snavset af lampens linse. Pas på ikke at ridse lampens linse, da dette muligvis kan dæmpe belysningen.

Omløbsvælgerbetjening

► Fig.5: 1. Omløbsvælger

⚠ FORSIGTIG: Kontrollér altid omløbsretningen, inden arbejdet påbegyndes.

⚠ FORSIGTIG: Flyt kun omløbsvælgeren, når maskinen er helt standset. Hvis omløbsretningen ændres, inden maskinen er helt stoppet, kan det beskadige maskinen.

⚠ FORSIGTIG: Sæt altid omløbsvælgeren i neutral stilling, når maskinen ikke anvendes.


Denne maskinen har en omløbsvælger til at skifte omløbsretning. Skub omløbsvælgeren ind fra A-siden for omdrejning med uret, og fra B-siden for omdrejning mod uret. Når omløbsvælgeren er i neutral stilling, kan afbryderknappen ikke trykkes ind.

Valg af funktionsmåden

BEMÆRKNING: Undlad at dreje omskifterknappen til ændring af funktionsmåde, mens maskinen kører. Maskinen vil blive beskadiget.

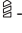
BEMÆRKNING: For at undgå hurtigt slid på mekanismen til funktionsskift skal du sikre dig, at omskifterknappen til ændring af funktionsmåde altid er forsvarligt placeret i en af funktionspositionerne.

Rotation med hamring

Ved boring i beton, murværk osv. skal omskifterknappen til ændring af funktionsmåde drejes til -symbolet. Brug en karbidforstærket borebit.

► Fig.6: 1. Omskifterknop til ændring af funktionsmåde

Kun rotation

Ved boring i træ, metal eller plastikmaterialer skal omskifterknappen til ændring af funktionsmåde drejes til -symbolet. Brug en snegleborsbit eller en træborsbit.

► Fig.7: 1. Omskifterknop til ændring af funktionsmåde

SAMLING

⚠ FORSIGTIG: Sørg altid for at maskinen er slukket, og at akkuen er taget ud, før der udføres noget arbejde på maskinen.

Sidehåndtag (ekstra håndtag)

⚠ FORSIGTIG: Brug altid sidehåndtaget for sikker betjening.

⚠ FORSIGTIG: Efter montering eller justering af sidehåndtaget skal du sikre dig, at sidehåndtaget er sikkert fastgjort.

Monter sidehåndtaget, så rillerne på håndtaget passer i fremspringene på maskincylinderen. Drej håndtaget i retning med uret for at fastgøre det. Håndtaget kan fastgøres i den ønskede vinkel.

► Fig.8: 1. Sidehåndtag

Fedtstof

Dæk skaftenden af borebitten med en lille smule fedtstof (cirka 0,5 - 1 g) på forhånd. Denne smøring af patronen sikrer en jævn funktion og længere levetid.

Montering eller afmontering af borebitten

Rengør skaftenden på borebitten, og påsmør fedtstof, før borebitten monteres.

► Fig.9: 1. Skaftend 2. Fedtstof

Sæt borebitten i maskinen. Drej borebitten, og tryk den ind, indtil den griber fat.

Efter montering af borebitten skal du altid sikre dig, at borebitten sidder godt fast, ved at forsøge at trække den ud.

► Fig.10: 1. Borebit

For at fjerne borebitten skal du trække patrondækslet helt ned og derefter trække borebitten ud.

► Fig.11: 1. Borebit 2. Patrondæksel

Dybdemåler

Dybdemåleren er praktisk til at bore huller med den samme dybde. Løsn sidehåndtaget, og isæt dybdemåleren i hullet på sidehåndtaget. Juster dybdemåleren, så den har den ønskede dybde, og spænd derefter sidehåndtaget godt til.

► Fig.12: 1. Hul 2. Dybdemåler

BEMÆRK: Sørg for, at dybdemåleren ikke berører maskinens kabinet, når den monteres.

Støvopsamler

Ekstraudstyr

Brug støvopsamleren til at undgå, at støv falder ned over maskinen og dig selv, når du borer over hovedet på dig selv. Monter støvopsamleren på bittens som vist i figuren. Størrelsen af de bits, som støvopsamleren kan monteres på, er som følger.

Model	Bitdiameter
Støvopsamler 5	6 mm - 14,5 mm
Støvopsamler 9	12 mm - 16 mm

► **Fig.13:** 1. Støvopsamler

Støvopsamlersæt

Ekstraudstyr

Installation af støvopsamlersættet

BEMÆRKNING: Hvis du køber støvopsamlersættet som ekstraudstyr, kan standardsidehåndtaget ikke anvendes, når støvopsamlersættet er monteret på maskinen. Når støvopsamlersættet er monteret på maskinen, skal du fjerne håndtaget fra standardsidehåndtaget og derefter montere det på håndtagsbasesættet, der fås som ekstraudstyr.

► **Fig.14:** 1. Bolt 2. Håndtag 3. Valgfrit håndtagsbasesæt

BEMÆRKNING: Brug ikke støvopsamlersættet, når du borer i metal eller lignende. Det kan beskadige støvopsamlersættet på grund af den varme, som fint metalstøv eller lignende frembringer. Undlad at montere eller fjerne støvopsamlersættet, mens borebitten er monteret på maskinen. Det kan beskadige støvopsamlersættet og forårsage lækage af støv.

Tag bittens ud af maskinen, hvis den er monteret, før støvopsamlersættet monteres.

1. Monter afstandsstykket, så rillerne på afstandsstykket passer i fremspringene på maskincylindren, når det udvides. Sørg omhyggeligt for, at fjederen ikke stikker ud fra revnen på afstandsstykket.

► **Fig.15:** 1. Afstandsstykke 2. Fjeder

► **Fig.16**

2. Monter sidehåndtaget (valgfrit håndtagsbasesæt og håndtaget fjernet fra standardsidehåndtaget), så rillen på håndtaget passer i fremspringet på afstandsstykket. Drej håndtaget i retning med uret for at fastgøre det.

► **Fig.17:** 1. Sidehåndtag

3. Monter støvopsamlersættet, så kløerne på støvopsamlersættet passer i revnerne på afstandsstykket.

► **Fig.18:** 1. Støvopsamler 2. Kløer

BEMÆRK: Hvis du forbinder en støvsuger til støvopsamlersættet, skal du fjerne støvhætten, før du tilslutter den.

► **Fig.19:** 1. Støvhætte

Fjernelse af borebitten

For at fjerne borebitten skal du trække patrondækslet helt ned og derefter trække borebitten ud.

► **Fig.20:** 1. Bit 2. Patrondæksel

Fjernelse af støvopsamlersættet

Benyt nedenstående fremgangsmåde for at fjerne støvopsamlersættet.

1. Løsn sidehåndtaget.

► **Fig.21:** 1. Sidehåndtag

2. Hold fast i roden af støvopsamleren, og træk den ud.

► **Fig.22:** 1. Støvopsamler

BEMÆRK: Hvis det er svært at fjerne støvopsamlersættet, skal du fjerne støvopsamlerens kløer én for én ved at dreje og trække i roden af støvopsamleren.

BEMÆRK: Hvis hættens falder af støvopsamleren, skal du montere den med den trykte side opad, så rillen på hættens passer i den indvendige kant af tilbehørsdelen.

► **Fig.23**

Krog

Ekstraudstyr

⚠FORSIGTIG: Tag altid batteriet ud, når du hænger maskinen på krogen.

⚠FORSIGTIG: Hæng aldrig maskinen på et højt sted eller på en potentielt ustabil overflade.

► **Fig.24:** 1. Rille 2. Krog 3. Skruer

Krogn er praktisk til midlertidig ophængning af maskinen. Den kan monteres i begge sider af maskinen.

Krogn monteres ved at indsætte den i en rille i maskinhuset på en af siderne og derefter fastgøre den med en skrue. Den fjernes ved at løsne skruen og tage den ud.

ANVENDELSE

⚠FORSIGTIG: Brug altid sidehåndtaget (ekstra håndtag), og hold godt fast i maskinen i både sidehåndtaget og omskifterhåndtaget under brug.


⚠FORSIGTIG: Sørg altid for, at arbejdsemnet er fastgjort før anvendelsen.

BEMÆRK: Hvis akkuen har lav temperatur, kan maskinen muligvis ikke opnå sin fulde kapacitet. Varm i så fald akkuen op ved at bruge maskinen uden belastning et stykke tid for at nå maskinens fulde kapacitet.

► **Fig.25**

Hammerboring

⚠️FORSIGTIG: Maskinen/borebitten udsættes for kraftig og pludselig vridning på det tidspunkt, hvor der brydes igennem hullet, når hullet bliver tilstoppet med spåner og partikler, eller hvis forstærkningsrørene i betonen rammes. **Brug altid sidehåndtaget (ekstra håndtag), og hold godt fast i maskinen i både sidehåndtaget og omskifterhåndtaget under brug.** Hvis du ikke gør dette, kan det medføre tab af kontrollen og risiko for alvorlig personskade.

Indstil omskifterknappen til ændring af funktionsmåde til -symbolet.

Anbring borebitten på det ønskede sted, hvor hullet skal være, og tryk derefter afbryderknappen ind. Anvend ikke magt på maskinen. Et let tryk giver det bedste resultat. Hold maskinen i stilling, og sørg for at forhindre, at den glider væk fra hullet.

Udøv ikke et større tryk, når hullet bliver tilstoppet af spåner eller partikler. Kør i stedet maskinen i tomgang, og fjern derefter borebitten delvist fra hullet. Ved at gentage dette flere gange vil hullet blive renset ud, og normal boring kan genoptages.

BEMÆRK: Der kan forekomme excentricitet i borebittens rotation, når maskinen betjenes uden belastning. Maskinen centrerer automatisk sig selv under brug. Dette har ikke betydning for præcisionen under boring.

Boring i træ eller metal

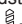
⚠️FORSIGTIG: Hold godt fast i maskinen og udvis forsigtighed, når borebitten begynder at bryde igennem arbejdsstykket. Maskinen/borebitten udsættes for en kraftig påvirkning på det tidspunkt, hvor der brydes igennem hullet.

⚠️FORSIGTIG: En borebit, der har sat sig fast, kan fjernes ved at man ganske enkelt sætter omløbsvælgeren til baglæns rotation for at bakke ud. Imidlertid kan maskinen pludselig bakke ud, hvis man ikke holder godt fast i den.

⚠️FORSIGTIG: Fastgør altid arbejdsemner i en skruestik eller lignende udstyr til fastgørelse.

BEMÆRKNING: Brug aldrig "rotation med hammering", når borepatronen er monteret på maskinen. Borepatronen kan blive beskadiget. Borepatronen vil desuden blive frigjort, når maskinen kører baglæns.

BEMÆRKNING: Et kraftigere tryk på maskinen vil ikke gøre boringen hurtigere. Faktisk vil et kraftigere tryk kun føre til skade på spidsen af borebitten, nedsætte maskinen ydelse og afkorte maskinens levetid.

Indstil omskifterknappen til ændring af funktionsmåde til -symbolet.

Monter patronadapteren på en nøglefri borepatron, hvor der kan monteres en skrue i størrelse 1/2"-20, og monter dem derefter på maskinen. Se "Isætning eller fjernelse af borebit" under monteringen.

► **Fig.26:** 1. Borepatronsæt 2. Patronadapter

Udblæsningskolbe

Ekstraudstyr

Når hullet er boret, skal du bruge udblæsningskolben til at fjerne støv fra hullet.

► **Fig.27**

VEDLIGEHOLDELSE

⚠️FORSIGTIG: Vær altid sikker på, at værk-tøjet er slukket, og at akkuen er taget ud, inden De begynder at udføre inspektion eller vedligeholdelse.

BEMÆRKNING: Anvend aldrig benzin, rensebenzin, fortynder, alkohol og lignende. Det kan medføre misfarvning, deformation eller revner.

For at opretholde produktets SIKKERHED og PÅLIDELIGHED må reparation, vedligeholdelse eller justering kun udføres af et autoriseret Makita servicecenter eller fabrikksservicecenter med anvendelse af Makita reservedele.

EKSTRAUDSTYR

⚠️FORSIGTIG: Det følgende tilbehør og ekstraudstyr er anbefalet til brug med Deres Makita maskine, der er beskrevet i denne brugsanvisning. Anvendelse af andet tilbehør eller ekstraudstyr kan udgøre en risiko for personskade. Anvend kun tilbehør og ekstraudstyr til det beskrevne formål.

Hvis De behøver hjælp ved valg af tilbehør eller ønsker yderligere informationer, bedes De kontakte Deres lokale Makita servicecenter.

- Karbidforstærkede borebits (SDS-plus karbidforstærkede bits)
- Patronadapter
- Nøglefri borepatron
- Smørelse til bit
- Dybdemåler
- Udblæsningskolbe
- Støvsopsamler
- Støvsopsamlersæt
- Håndtagsbasesæt
- Beskyttelsesbriller
- Krog
- Original Makita-akku og oplader
- Plastikbæretaske

BEMÆRK: Nogle ting på denne liste kan være inkluderet i værktøjss pakken som standardtilbehør. Det kan være forskellige fra land til land.

ΠΡΟΔΙΑΓΡΑΦΕΣ

Μοντέλο:		DHR171
Ικανότητες διάτρησης	Τσιμέντο	17 mm
	Ατσάλι	10 mm
	Ξύλο	13 mm
Ταχύτητα χωρίς φορτίο		0 - 680 min ⁻¹
Κρούσεις το λεπτό		0 - 4.800 min ⁻¹
Ολικό μήκος		273 mm
Ονομαστική τάση		D.C. 18 V
Στάνταρ κασέτα μπαταριών		BL1815N / BL1820 / BL1820B / BL1830 / BL1830B / BL1840 / BL1840B / BL1850 / BL1850B / BL1860B
Καθαρό βάρος		2,1 - 2,8 kg

- Λόγω του συνεχιζόμενου προγράμματος έρευνας και ανάπτυξης, οι προδιαγραφές αυτές υπόκεινται σε αλλαγές χωρίς προειδοποίηση.
- Οι προδιαγραφές και η κασέτα μπαταριών μπορεί να διαφέρουν ανάλογα με τη χώρα.
- Το βάρος μπορεί να διαφέρει ανάλογα με τα προσαρτήματα, συμπεριλαμβάνοντας την κασέτα μπαταριών. Ο ελαφρύτερος και ο βαρύτερος συνδυασμός, σύμφωνα με τη διαδικασία ΕΡΤΑ 01/2014, παρουσιάζονται στον πίνακα.

Προβλεπόμενη χρήση

Το εργαλείο προορίζεται για κρουστικό τρυπάνισμα και τρυπάνισμα σε τούβλα, τσιμέντο και πέτρα. Είναι επίσης κατάλληλο για διάτρηση χωρίς κρούση σε ξύλο, μέταλλο, κεραμικό και πλαστικό.

Θόρυβος

Το τυπικό Α επίπεδο καταμετρημένου θορύβου καθορίζεται σύμφωνα με το EN60745:

Στάθμη ηχητικής πίεσης (L_{pA}): 86 dB (A)

Στάθμη ηχητικής ισχύος (L_{WA}): 97 dB (A)

Αβεβαιότητα (K): 3 dB (A)

ΠΡΟΕΙΔΟΠΟΙΗΣΗ: Να φοράτε ωτοασπίδες.

Κραδασμός

Η ολική τιμή δόνησης (άθροισμα τρι-αξονικού διανύσματος) καθορίζεται σύμφωνα με το EN60745:

Είδος εργασίας: κρουστική διάτρηση σε σκυρόδεμα

Τιμή εκπομπής δονήσεων ($a_{h, HD}$): 9,0 m/s²

Αβεβαιότητα (K): 1,5 m/s²

Είδος εργασίας: διάτρηση σε μέταλλο

Εκπομπή δόνησης ($a_{h, D}$): 2,5 m/s² ή λιγότερο

Αβεβαιότητα (K): 1,5 m/s²

ΠΑΡΑΤΗΡΗΣΗ: Η δηλωμένη τιμή εκπομπής κραδασμών έχει μετρηθεί σύμφωνα με την πρότυπη μέθοδο δοκιμής και μπορεί να χρησιμοποιηθεί για τη σύγκριση ενός εργαλείου με άλλο.

ΠΑΡΑΤΗΡΗΣΗ: Η δηλωμένη τιμή εκπομπής κραδασμών μπορεί να χρησιμοποιηθεί και στην προκαταρκτική αξιολόγηση έκθεσης.

ΠΡΟΕΙΔΟΠΟΙΗΣΗ: Η εκπομπή κραδασμών κατά τη χρήση του ηλεκτρικού εργαλείου σε πραγματικές συνθήκες μπορεί να διαφέρει από τη δηλωμένη τιμή εκπομπής ανάλογα με τον τρόπο χρήσης του εργαλείου.

ΠΡΟΕΙΔΟΠΟΙΗΣΗ: Φροντίστε να λάβετε τα κατάλληλα μέτρα προστασίας του χειριστή βάσει ενός υπολογισμού της έκθεσης σε πραγματικές συνθήκες χρήσης (λαμβάνοντας υπόψη όλες τις συσιστώσες του κύκλου λειτουργίας όπως τους χρόνους που το εργαλείο είναι εκτός λειτουργίας και όταν βρίσκεται σε αδρανή λειτουργία πέραν του χρόνου ενεργοποίησης).

Δήλωση συμμόρφωσης ΕΚ

Μόνο για χώρες της Ευρώπης

Η δήλωση συμμόρφωσης ΕΚ περιλαμβάνεται ως Παράρτημα Α στο παρόν εγχειρίδιο οδηγιών.

ΠΡΟΕΙΔΟΠΟΙΗΣΕΙΣ ΑΣΦΑΛΕΙΑΣ

Γενικές προειδοποιήσεις ασφαλείας για το ηλεκτρικό εργαλείο

ΠΡΟΕΙΔΟΠΟΙΗΣΗ: Διαβάστε όλες τις προειδοποιήσεις ασφαλείας, οδηγίες, εικονογραφίες και προδιαγραφές που παρέχονται με αυτό το ηλεκτρικό εργαλείο. Η μη τήρηση όλων των οδηγιών που αναγράφονται κατωτέρω μπορεί να καταλήξει σε ηλεκτροπληξία, πυρκαγιά ή/και σοβαρό τραυματισμό.

Φυλάξτε όλες τις προειδοποιήσεις και τις οδηγίες για μελλοντική παραπομπή.

Στις προειδοποιήσεις, ο όρος «ηλεκτρικό εργαλείο» αναφέρεται σε ηλεκτρικό εργαλείο που τροφοδοτείται από την κύρια παροχή ηλεκτρικού ρεύματος (με ηλεκτρικό καλώδιο) ή σε ηλεκτρικό εργαλείο που τροφοδοτείται από μπαταρία (χωρίς ηλεκτρικό καλώδιο).

ΠΡΟΕΙΔΟΠΟΙΗΣΕΙΣ ΑΣΦΑΛΕΙΑΣ ΓΙΑ ΤΟ ΦΟΡΗΤΟ ΣΦΥΡΟΤΡΥΠΑΝΟ

1. **Φοράτε ωτοασπίδες.** Η έκθεση σε θόρυβο μπορεί να προκαλέσει απώλεια ακοής.
2. **Να χρησιμοποιείτε τις βοηθητικές λαβές, εάν παρέχονται με το εργαλείο.** Η απώλεια του ελέγχου μπορεί να προκαλέσει προσωπικό τραυματισμό.
3. **Να κρατάτε το ηλεκτρικό εργαλείο από τις μονωμένες επιφάνειες λαβής όταν εκτελείτε εργασίες κατά τις οποίες το εξάρτημα κοπής μπορεί να έρθει σε επαφή με κρυμμένα καλώδια.** Σε περίπτωση επαφής του εξαρτήματος κοπής με ηλεκτροφόρο καλώδιο, μπορεί τα εκτεινόμενα μεταλλικά εξαρτήματα του ηλεκτρικού εργαλείου να καταστούν τα ίδια ηλεκτροφόρα και να προκαλέσουν ηλεκτροπληξία στο χειριστή.
4. **Φοράτε σκληρό καπέλο (κράνος ασφαλείας), γυαλιά ασφαλείας και/ή προσωπίδα.** Τα κοινά γυαλιά οράσεως ή ηλίου ΔΕΝ είναι γυαλιά ασφαλείας. Επίσης, συνιστάται ιδιαίτερα να φοράτε μάσκα προστασίας από τη σκόνη και γάντια με χοντρή επένδυση.
5. **Πριν από τη λειτουργία, βεβαιωθείτε ότι η μύτη έχει ασφαλίσει.**
6. **Σε κανονικές συνθήκες λειτουργίας, το εργαλείο είναι σχεδιασμένο να παράγει κραδασμούς.** Οι βιβίδες μπορεί να χαλαρώσουν εύκολα, προκαλώντας βλάβη ή ατύχημα. Ελέγξτε προσεκτικά το σφίξιμο των βιδών πριν από τη λειτουργία.
7. **Όταν κάνει κρόο ή αν δεν έχετε χρησιμοποιήσει το εργαλείο για μεγάλο χρονικό διάστημα, αφήστε το να ζεσταθεί για λίγο επιτρέποντάς του να λειτουργήσει χωρίς φορτίο.** Με αυτόν τον τρόπο βελτιώνεται η λίπανση. Αν δεν ζεσταθεί σωστά, η κρουστική λειτουργία είναι δύσκολη.
8. **Να βεβαιώνετε πάντοτε ότι στέκεστε σταθερά.** Όταν χρησιμοποιείτε το εργαλείο σε υψηλές τοποθεσίες, να βεβαιώνετε ότι δεν βρίσκεται κανένας από κάτω.
9. **Κρατήστε το εργαλείο σταθερά με τα δύο χέρια.**
10. **Διατηρείτε τα χέρια σας μακριά από κινούμενα μέρη.**
11. **Μην αφήνετε το εργαλείο σε λειτουργία.** Το εργαλείο πρέπει να βρίσκεται σε λειτουργία μόνο όταν το κρατάτε.
12. **Μην στρέψετε το εργαλείο στους παρευρισκόμενους στο χώρο όταν το χρησιμοποιείτε.** Η μύτη μπορεί να εκτοξευτεί και να προκαλέσει σοβαρό τραυματισμό.

13. **Μην αγγίζετε τη μύτη, τμήματα κοντά στη μύτη ή το τεμάχιο εργασίας αμέσως μετά τη λειτουργία.** Μπορεί να είναι εξαιρετικά ζεστά και να προκαλέσει έγκαυμα στο δέρμα σας.
14. **Μερικά υλικά περιέχουν χημικά που μπορεί να είναι τοξικά.** Προσέχετε ώστε να αποφεύγετε την εισπνοή σκόνης και την επαφή με το δέρμα. Ακολουθείτε τα δεδομένα ασφαλείας υλικού που παρέχονται από τον προμηθευτή.
15. **Βεβαιώνετε πάντα ότι το εργαλείο είναι απενεργοποιημένο και ότι έχετε βγάλει την κασέτα μπαταριών και τη μύτη πριν δώσετε το εργαλείο σε άλλο άτομο.**

ΦΥΛΑΞΤΕ ΤΙΣ ΟΔΗΓΙΕΣ ΑΥΤΕΣ.

▲ ΠΡΟΕΙΔΟΠΟΙΗΣΗ: ΜΗΝ επιτρέψετε το βαθμό άνεσης ή εξοικείωσης με το προϊόν (λόγω επανειλημμένης χρήσης) να αντικαταστήσει την αυστηρή τήρηση των κανόνων ασφαλείας του παρόντος εργαλείου. Η ΛΑΝΘΑΣΜΕΝΗ ΧΡΗΣΗ ή η αμέλεια να ακολουθήσετε τους κανόνες ασφαλείας που διατυπώνονται στο παρόν εγχειρίδιο οδηγιών μπορεί να προκαλέσει σοβαρό προσωπικό τραυματισμό.

Σημαντικές οδηγίες ασφαλείας για κασέτα μπαταριών

1. **Πριν χρησιμοποιήσετε την κασέτα μπαταριών, διαβάστε όλες τις οδηγίες και σημειώσεις προφύλαξης (1) στον φοριστή μπαταριών, (2) στην μπαταρία και (3) στο προϊόν που χρησιμοποιεί την μπαταρία.**
2. **Μην αποσυναρμολογήσετε την κασέτα μπαταριών.**
3. **Εάν ο χρόνος λειτουργίας έχει γίνει υπερβολικά βραχύς, σταματήστε τη λειτουργία αμέσως.** Αλλιώς, μπορεί να έχει ως αποτέλεσμα κίνδυνο υπερθέρμανσης, πιθανά εγκαύματα ή ακόμη και έκρηξη.
4. **Εάν ηλεκτρολύτης μπει στα μάτια σας, ξεπλύνετε τα με καθαρό νερό και ζητήστε Ιατρική φροντίδα αμέσως.** Αλλιώς, μπορεί να έχει ως αποτέλεσμα απώλεια της όρασης σας.
5. **Μη βραχυκυκλώνετε την κασέτα μπαταριών:**
 - (1) **Μην αγγίζετε τους πόλους με σιδηρότετο αγώγιμο υλικό.**
 - (2) **Αποφεύγετε να αποθηκεύετε την κασέτα μπαταριών μέσα σε ένα δοχείο μαζί με άλλα μεταλλικά αντικείμενα όπως καρφιά, νομίσματα, κλπ.**
 - (3) **Μην εκθέτετε την κασέτα μπαταριών στο νερό ή στη βροχή.** Ένα βραχυκύκλωμα μπαταρίας μπορεί να προκαλέσει μεγάλη ροή ρεύματος, υπερθέρμανση, πιθανά εγκαύματα ακόμη και σοβαρή βλάβη.
6. **Μην αποθηκεύετε το εργαλείο και την κασέτα μπαταριών σε τοποθεσίες όπου η θερμοκρασία μπορεί να φτάσει ή να ξεπεράσει τους 50°C.**
7. **Μην καίτε την κασέτα μπαταριών ακόμη και εάν έχει σοβαρή ζημιά ή είναι εντελώς φθαρμένη.** Η κασέτα μπαταριών μπορεί να εκραγεί στη φωτιά.

8. Προσέχετε να μη ρίξετε κάτω ούτε να χτυπήσετε την μπαταρία.
9. Μη χρησιμοποιείτε μπαταρία που έχει υποστεί ζημία.
10. Οι μπαταρίες ιόντων λιθίου που περιέχονται υπόκεινται στις απαιτήσεις της νομοθεσίας για επικίνδυνα αγαθά.
Για εμπορικές μεταφορές, για παράδειγμα από τρίτα μέρη, πρέπει να τηρούνται οι διαμεταφορές, οι ειδικές απαιτήσεις στη συσκευασία και η επισήμανση.
Για προετοιμασία του στοιχείου που αποστέλλεται, είναι απαραίτητο να συμβουλευτείτε έναν ειδικό για επικίνδυνα υλικά. Επίσης, τηρήστε τους πιθανούς, πιο αναλυτικούς εθνικούς κανονισμούς. Καλύψτε με αυτοκόλλητη ταινία ή κρύψτε τις ανοικτές επαφές και συσκευάστε την μπαταρία με τρόπο που να μην μπορεί να μετακινείται μέσα στη συσκευασία.
11. Τηρήστε τους τοπικούς κανονισμούς που σχετίζονται με τη διάθεση της μπαταρίας.
12. Χρησιμοποιήστε τις μπαταρίες μόνο με τα προϊόντα που καθορίζει η Makita. Αν τοποθετήσετε τις μπαταρίες σε μη συμβατά προϊόντα μπορεί να έχει ως αποτέλεσμα πυρκαγιά, υπερβολική θερμότητα, έκρηξη ή διαρροή ηλεκτρολύτη.

ΦΥΛΑΞΤΕ ΤΙΣ ΟΔΗΓΙΕΣ ΑΥΤΕΣ.

▲ΠΡΟΣΟΧΗ: Να χρησιμοποιείτε μόνο γνήσιες μπαταρίες της Makita. Η χρήση μη γνήσιων μπαταριών Makita, ή μπαταριών που έχουν τροποποιηθεί, μπορεί να έχει ως αποτέλεσμα τη ρήξη της μπαταρίας, προκαλώντας πυρκαγιά, προσωπικό τραυματισμό και βλάβη. Επίσης, θα ακυρωθεί η εγγύηση της Makita για το εργαλείο και φορτιστή Makita.

Συμβουλές για τη διατήρηση της μέγιστης ζωής μπαταρίας

1. Φορτίζετε την κασέτα μπαταριών πριν από την πλήρη αποφόρτιση της. Πάντοτε να σταματάτε τη λειτουργία του εργαλείου και να φορτίζετε την κασέτα μπαταριών όταν παρατηρήτε μειωμένη ισχύ εργαλείου.
2. Ποτέ μην επαναφορτίζετε μια πλήρως φορτισμένη κασέτα μπαταριών. Η υπερφόρτιση μειώνει την ωφέλιμη ζωή της μπαταρίας.
3. Να φορτίζετε την κασέτα μπαταριών σε θερμοκρασία δωματίου, δηλαδή στους 10°C έως 40°C. Αφήστε μια θερμή κασέτα μπαταριών να κρυώσει πριν την φορτίσετε.
4. Να φορτίζετε την κασέτα μπαταριών εάν δεν τη χρησιμοποιείτε για μεγάλη χρονική περίοδο (περισσότερο από έξι μήνες).

ΠΕΡΙΓΡΑΦΗ ΛΕΙΤΟΥΡΓΙΑΣ

▲ΠΡΟΣΟΧΗ: Να φροντίζετε πάντα για την απεργοποίηση του εργαλείου και την αφαίρεση της κασέτας μπαταρίας, πριν από οποιαδήποτε ρύθμιση ή έλεγχο της λειτουργίας του.

Τοποθέτηση ή αφαίρεση της κασέτας μπαταριών

▲ΠΡΟΣΟΧΗ: Να σβήνετε πάντα το εργαλείο πριν τοποθετήσετε ή αφαιρέσετε την κασέτα μπαταριών.

▲ΠΡΟΣΟΧΗ: Κρατήστε το εργαλείο και την κασέτα μπαταριών σταθερά κατά την τοποθέτηση ή αφαίρεση της κασέτας μπαταριών. Εάν δεν κρατάτε το εργαλείο και την κασέτα μπαταριών σταθερά μπορεί να γλιστρήσουν από τα χέρια σας και να προκληθεί βλάβη στο εργαλείο και την κασέτα μπαταριών και προσωπικός τραυματισμός.

► **Εικ.1:** 1. Κόκκινη ένδειξη 2. Κουμπί 3. Κασέτα μπαταριών

Για να αφαιρέσετε την κασέτα μπαταριών, ολισθήστε την από το εργαλείο ενώ σύρετε το κουμπί στο μπροστινό μέρος της κασέτας.

Για να τοποθετήσετε την κασέτα μπαταριών, ευθυγραμμίστε τη γλώσσα στην κασέτα μπαταριών με την αύλακα στην υποδοχή και ολισθήστε τη στη θέση της. Να την τοποθετείτε πλήρως μέχρι να ασφαλίσει στη θέση της, γεγονός που υποδεικνύεται με ένα χαρακτηριστικό ήχο. Εάν μπορείτε να δείτε την κόκκινη ένδειξη στην επάνω πλευρά του κουμπιού, δεν έχει κλειδώσει τελείως.

▲ΠΡΟΣΟΧΗ: Να τοποθετείτε πάντα την κασέτα μπαταριών πλήρως μέχρι να μη βλέπετε την κόκκινη ένδειξη. Εάν δεν ασφαλιστεί, μπορεί να πέσει από το εργαλείο τυχαία, προκαλώντας σωματική βλάβη σε εσάς ή κάποιον άλλο γύρω σας.

▲ΠΡΟΣΟΧΗ: Μην τοποθετείτε την κασέτα μπαταριών με βία. Εάν η κασέτα δεν ολισθαίνει με ευκολία, τότε δεν έχει τοποθετηθεί κατάλληλα.










Εμφάνιση υπολειπόμενης χωρητικότητας μπαταρίας

Μόνο για κασέτες μπαταρίας με την ενδεικτική λυχνία

► **Εικ.2:** 1. Ενδεικτικές λυχνίες 2. Κουμπί ελέγχου

Πιέστε το κουμπί ελέγχου στην κασέτα μπαταριών για να υποδείξετε την υπολειπόμενη χωρητικότητα μπαταρίας. Οι ενδεικτικές λυχνίες ανάβουν για λίγα δευτερόλεπτα.

Ενδεικτικές λυχνίες			Υπολειπόμενη χωρητικότητα
■ Αναμμένες	□ Σβηστές	▬ Αναβοσβήνουν	
■ ■ ■ ■			75% έως 100%
■ ■ ■ □			50% έως 75%
■ ■ □ □			25% έως 50%
■ □ □ □			0% έως 25%
▬ □ □ □			Φορτίστε την μπαταρία.

Ενδεικτικές Λυχνίες			Υπολειπόμενη χωρητικότητα
			
Αναμμένες	Σβηστές	Αναβοσβήνουν	Μπορεί να προέκυψε δυσλειτουργία στην μπαταρία.
			
			

ΠΑΡΑΤΗΡΗΣΗ: Ανάλογα με τις συνθήκες χρήσης και τη θερμοκρασία περιβάλλοντος, η ένδειξη μπορεί να διαφέρει λίγο από την πραγματική χωρητικότητα.

Σύστημα προστασίας εργαλείου/ μπαταρίας

Το εργαλείο είναι εξοπλισμένο με σύστημα προστασίας εργαλείου/μπαταρίας. Αυτό το σύστημα αποκόπτει αυτόματα την ισχύ προς το μοτέρ για να παραταθεί η διάρκεια λειτουργίας του εργαλείου και της μπαταρίας. Το εργαλείο σταματάει αυτόματα κατά τη διάρκεια της λειτουργίας εάν το εργαλείο ή η μπαταρία βρεθούν κάτω από τις παρακάτω συνθήκες:

Προστασία υπερφόρτωσης

Όταν η μπαταρία λειτουργεί με τρόπο ώστε να αναγκάζεται να καταναλώνει ασυνήθιστα υψηλό ρεύμα, το εργαλείο σταματάει αυτόματα χωρίς καμία ένδειξη. Σε αυτή την κατάσταση, σβήστε το εργαλείο και διακόψτε την εφαρμογή που προκαλεί την υπερφόρτωση του εργαλείου. Μετά, ενεργοποιήστε το εργαλείο για επανεκκίνηση.

Προστασία υπερθέρμανσης

Όταν το εργαλείο ή η μπαταρία υπερθερμανθεί, η λειτουργία του εργαλείου σταματάει αυτόματα και η λάμπα αναβοσβήνει. Σε αυτή την περίπτωση, αφήστε το εργαλείο και την μπαταρία να ψυχθούν πριν ενεργοποιήσετε ξανά το εργαλείο.

Προστασία υπερβολικής αποφόρτισης

Όταν η φόρτιση μπαταρίας δεν είναι αρκετή, το εργαλείο σταματάει αυτόματα. Σε αυτή την περίπτωση, βγάλτε την μπαταρία από το εργαλείο και φορτίστε την μπαταρία.

Δράση διακόπτη

▲ΠΡΟΕΙΔΟΠΟΙΗΣΗ: Πριν βάλετε την κασέτα μπαταρίας μέσα στο εργαλείο, να ελέγχετε πάντα να δείτε αν η σκανδάλη διακόπτης ενεργοποιείται κανονικά και επιστρέφει στη θέση «OFF» όταν ελευθερώνεται.

► **Εικ.3:** 1. Σκανδάλη διακόπτης

Για να ξεκινήσετε το εργαλείο, απλώς τραβήξτε τη σκανδάλη διακόπτη. Η ταχύτητα του εργαλείου αυξάνει αν αυξήσετε την πίεση στη σκανδάλη διακόπτη. Ελευθερώστε τη σκανδάλη διακόπτη για να σταματήσει.

Αναμμα της μπροστινής λάμπας

► **Εικ.4:** 1. Σκανδάλη διακόπτης 2. Λάμπα

▲ΠΡΟΣΟΧΗ: Μην κοιτάζετε κατευθείαν μέσα στο φως ή στην πηγή φωτός.

Τραβήξτε τη σκανδάλη διακόπτη για να ενεργοποιηθεί η λάμπα. Η λάμπα εξακολουθεί να είναι αναμμένη όσο τραβάτε τη σκανδάλη διακόπτη. Η λάμπα σβήνει περίπου 10 δευτερόλεπτα αφού αφήσετε τη σκανδάλη διακόπτη.

ΠΑΡΑΤΗΡΗΣΗ: Χρησιμοποιήστε ένα στεγνό πανί για να σκουπίσετε τη σκόνη από το φακό της λάμπας. Προσέχετε να μη γρατζουνίσετε το φακό της λάμπας, επειδή μπορεί να μειωθεί η ένταση του φωτισμού.

Δράση διακόπτη αντιστροφής

► **Εικ.5:** 1. Μοχλός διακόπτης αντιστροφής

▲ΠΡΟΣΟΧΗ: Να ελέγχετε πάντα τη διεύθυνση περιστροφής πριν από τη λειτουργία.

▲ΠΡΟΣΟΧΗ: Να χρησιμοποιείτε τον διακόπτη αντιστροφής μόνο αφού το εργαλείο σταματήσει εντελώς. Η αλλαγή της διεύθυνσης περιστροφής πριν σταματήσει το εργαλείο μπορεί να προκαλέσει ζημιά στο εργαλείο.

▲ΠΡΟΣΟΧΗ: Όταν δεν χρησιμοποιείτε το εργαλείο, να βάζετε πάντα το μοχλό διακόπτη αντιστροφής στην ουδέτερη θέση.

Αυτό το εργαλείο διαθέτει έναν διακόπτη αντιστροφής για να αλλάζετε τη διεύθυνση περιστροφής. Πιέστε το μοχλό διακόπτη αντιστροφής από την πλευρά Α για δεξιόστροφη περιστροφή ή από την πλευρά Β για αριστερόστροφη περιστροφή.


Όταν ο μοχλός διακόπτης αντιστροφής είναι στην ουδέτερη θέση, η σκανδάλη διακόπτης δεν μπορεί να τραβηχθεί.

Επιλογή τρόπου λειτουργίας δράσης

ΕΙΔΟΠΟΙΗΣΗ: Μη γυρίζετε το κουμπί αλλαγής τρόπου λειτουργίας ενώ λειτουργεί το εργαλείο. Θα υποστεί ζημιά το εργαλείο.


ΕΙΔΟΠΟΙΗΣΗ: Για να αποφύγετε τη γρήγορη φθορά του μηχανισμού αλλαγής τρόπου λειτουργίας, φροντίστε ώστε το κουμπί αλλαγής του τρόπου λειτουργίας να βρίσκεται πάντα σε μία από τις θέσεις του τρόπου λειτουργίας και όχι κάπου ενδιάμεσα.

Περιστροφή με κρούση

Για τη διάτρηση σε ταίμεντο, τοιχοποιία κτλ., γυρίστε το κουμπί αλλαγής του τρόπου λειτουργίας στο σύμβολο . Χρησιμοποιήστε μύτη τρυπανιού με άκρο καρβιδίου.

► **Εικ.6:** 1. Κουμπί αλλαγής τρόπου λειτουργίας

Μόνο περιστροφή

Για τη διάτρηση σε ξύλο, μέταλλο ή πλαστικά υλικά, γυρίστε το κουμπί αλλαγής τρόπου λειτουργίας στο σύμβολο . Χρησιμοποιήστε μύτη με ελικοειδές τρυπάνι ή τρυπάνι για ξύλο.

► **Εικ.7:** 1. Κουμπί αλλαγής τρόπου λειτουργίας

ΣΥΝΑΡΜΟΛΟΓΗΣΗ

⚠ ΠΡΟΣΟΧΗ: Να βεβαιώνεστε πάντα ότι το εργαλείο είναι σβηστό και η κασέτα μπαταρίας έχει αφαιρεθεί πριν εκτελέσετε κάποια εργασία στο εργαλείο.

Πλευρική λαβή (βοηθητική χειρολαβή)

⚠ ΠΡΟΣΟΧΗ: Χρησιμοποιείτε πάντοτε την πλευρική λαβή, έτσι ώστε να διασφαλίζεται η ασφαλής λειτουργία.

⚠ ΠΡΟΣΟΧΗ: Μετά την τοποθέτηση ή τη ρύθμιση της πλευρικής λαβής, βεβαιωθείτε ότι η πλευρική λαβή έχει ασφαλίσει σταθερά.

Τοποθετήστε την πλευρική λαβή με τρόπο ώστε οι αυλακώσεις στη λαβή να εφαρμόζουν στις προεξοχές στον κύλινδρο του εργαλείου. Περιστρέψτε τη λαβή δεξιόστροφα για να την ασφαλίσετε. Η λαβή μπορεί να σταθεροποιηθεί σε μια επιθυμητή γωνία.

► **Εικ.8:** 1. Πλευρική λαβή

Γράσο

Επαλείψτε από πριν το άκρο στελέχους της μύτης τρυπανιού με μια μικρή ποσότητα γράσου (περίπου 0,5 - 1 g).

Η λίπανση του σφιγκτήρα εξασφαλίζει ομαλή λειτουργία και μεγαλύτερη διάρκεια ζωής.

Τοποθέτηση ή αφαίρεση μύτης τρυπανιού

Καθαρίστε το άκρο στελέχους της μύτης τρυπανιού και βάλτε γράσο πριν τοποθετήσετε τη μύτη τρυπανιού.

► **Εικ.9:** 1. Άκρο στελέχους 2. Γράσο

Τοποθετήστε τη μύτη τρυπανιού στο εργαλείο. Περιστρέψτε τη μύτη τρυπανιού και ωθήστε την προς τα μέσα μέχρι να ασφαλίσει.

Μετά την τοποθέτηση της μύτης τρυπανιού, να βεβαιώνετε πάντα ότι η μύτη τρυπανιού έχει ασφαλίσει τραβώντας την προς τα έξω.

► **Εικ.10:** 1. Μύτη τρυπανιού

Για να αφαιρέσετε τη μύτη τρυπανιού, τραβήξτε το κάλυμμα σφιγκτήρα εντελώς προς τα κάτω και μετά τραβήξτε τη μύτη τρυπανιού προς τα έξω.

► **Εικ.11:** 1. Μύτη τρυπανιού 2. Κάλυμμα σφιγκτήρα

Ρυθμιστής βάθους

Ο ρυθμιστής βάθους διευκολύνει τη διάνοιξη οπών ομοιόμορφου βάθους. Χαλαρώστε την πλευρική λαβή και τοποθετήστε τον ρυθμιστή βάθους στην οπή στην πλευρική λαβή. Ρυθμίστε τον ρυθμιστή βάθους στο επιθυμητό βάθος και σφίξτε καλά την πλευρική λαβή.

► **Εικ.12:** 1. Οπή 2. Ρυθμιστής βάθους

ΠΑΡΑΤΗΡΗΣΗ: Βεβαιωθείτε ότι ο ρυθμιστής βάθους δεν αγγίζει το κυρίως σώμα του εργαλείου όταν το συνδέετε.

Κάλυμμα σκόνης

Προαιρετικό εξάρτημα

Χρησιμοποιήστε το κάλυμμα σκόνης για να αποτρέψετε την πτώση της σκόνης πάνω στο εργαλείο και στον εαυτό σας όταν εκτελείτε εργασίες διάτρησης σε κάποιο σημείο πάνω από το κεφάλι σας. Προσαρμόστε το κάλυμμα σκόνης στη μύτη, όπως απεικονίζεται στην εικόνα. Ακολουθεί πίνακας με τα μεγέθη των μυτών στις οποίες μπορείτε να προσαρμόσετε το κάλυμμα σκόνης.

Μοντέλο	Διάμετρος μύτης
Κάλυμμα σκόνης 5	6 mm - 14,5 mm
Κάλυμμα σκόνης 9	12 mm - 16 mm

► **Εικ.13:** 1. Κάλυμμα σκόνης

Σετ καλύμματος σκόνης

Προαιρετικό εξάρτημα

Εγκατάσταση του σετ καλύμματος σκόνης

ΕΙΔΟΠΟΙΗΣΗ: Αν αγοράσετε το σετ καλύμματος σκόνης ως προαιρετικό αξεσουάρ, η τυπική πλευρική λαβή δεν μπορεί να χρησιμοποιηθεί με το σετ καλύμματος σκόνης που τοποθετείται στο εργαλείο. Όταν το σετ καλύμματος σκόνης είναι τοποθετημένο στο εργαλείο, αφαιρέστε τη λαβή από την τυπική πλευρική λαβή και μετά συνδέστε τη στο προαιρετικό σετ βάσης λαβής.

► **Εικ.14:** 1. Μπουλόνι 2. Λαβή 3. Προαιρετικό σετ βάσης λαβής

ΕΙΔΟΠΟΙΗΣΗ: Μη χρησιμοποιείτε το σετ καλύμματος σκόνης για το τρυπάνισμα σε μέταλλο ή παρόμοιο υλικό. Μπορεί να προκαλέσει ζημιά στο σετ καλύμματος σκόνης λόγω της θερμότητας που παράγεται από τη λεπτή μεταλλική σκόνη ή παρόμοιο. Μην τοποθετείτε και μην αφαιρείτε το σετ καλύμματος σκόνης με τη μύτη τρυπανιού τοποθετημένη στο εργαλείο. Μπορεί να προκαλέσει ζημιά στο σετ καλύμματος σκόνης και να προκαλέσει διαρροή σκόνης.

Πριν τοποθετήσετε το σετ καλύμματος σκόνης, αφαιρέστε τη μύτη από το εργαλείο, αν είναι τοποθετημένη.

1. Τοποθετήστε τον αποστάτη με τρόπο ώστε οι αυλακώσεις στον αποστάτη να εφαρμόζουν στις προεξοχές στον κύλινδρο του εργαλείου ενώ τον διαπλάτνετε. Προσέχετε ώστε να μη βγει ο ελατήριο από τη σχισμή του αποστάτη.

► **Εικ.15:** 1. Αποστάτης 2. Ελατήριο

► **Εικ.16**

2. Τοποθετήστε την πλευρική λαβή (το προαιρετικό σετ βάσης λαβής και η λαβή έχουν αφαιρεθεί από την τυπική πλευρική λαβή) με τρόπο ώστε η αυλάκωση στη λαβή να εφαρμόζει στην προεξοχή στον αποστάτη. Περιστρέψτε τη λαβή δεξιόστροφα για να την ασφαλίσετε.

► **Εικ.17:** 1. Πλευρική λαβή

3. Τοποθετήστε το σετ καλύμματος σκόνης με τρόπο ώστε τα κλιπ του καλύμματος σκόνης να εφαρμόζουν στις σχισμές στον αποστάτη.

► **Εικ.18:** 1. Κάλυμμα σκόνης 2. Κλιπ

ΠΑΡΑΤΗΡΗΣΗ: Αν συνδέσετε ηλεκτρική σκούπα στο σετ καλύμματος σκόνης, αφαιρέστε το καπάκι σκόνης πριν την συνδέσετε.

► **Εικ.19:** 1. Καπάκι σκόνης

Αφαίρεση της μύτης τρυπανιού

Για να αφαιρέσετε τη μύτη τρυπανιού, τραβήξτε το κάλυμμα σφιγκτήρα εντελώς προς τα κάτω και μετά τραβήξτε τη μύτη τρυπανιού προς τα έξω.

► **Εικ.20:** 1. Μύτη 2. Κάλυμμα σφιγκτήρα

Αφαίρεση του σετ καλύμματος σκόνης

Για να αφαιρέσετε το σετ καλύμματος σκόνης, ακολουθήστε τα παρακάτω βήματα.

1. Χαλαρώστε την πλάγια λαβή.

► **Εικ.21:** 1. Πλάγια λαβή

2. Κρατήστε τη βάση του καλύμματος σκόνης και τραβήξτε το προς τα έξω.

► **Εικ.22:** 1. Κάλυμμα σκόνης

ΠΑΡΑΤΗΡΗΣΗ: Αν είναι δύσκολο να αφαιρέσετε το σετ καλύμματος σκόνης, αφαιρέστε τα κλιπ του καλύμματος σκόνης ένα-ένα αιωρώντας και τραβώντας τη βάση του καλύμματος σκόνης.

ΠΑΡΑΤΗΡΗΣΗ: Αν το καπάκι βγει από το κάλυμμα σκόνης, συνδέστε το με την εκτυπωμένη πλευρά στραμμένη ώστε η αυλάκωση στο καπάκι να εφαρμόζει στην εσωτερική περιφέρεια του εξαρτήματος.

► **Εικ.23**

Γάντζος

Προαιρετικό εξάρτημα

▲ **ΠΡΟΣΟΧΗ:** Να αφαιρείτε πάντοτε την μπαταρία όταν κρεμάτε το εργαλείο με το γάντζο.

▲ **ΠΡΟΣΟΧΗ:** Μην κρεμάτε ποτέ το εργαλείο σε υψηλές τοποθεσίες ή σε πιθανώς ασταθείς επιφάνειες.

► **Εικ.24:** 1. Αυλάκωση 2. Γάντζος 3. Βίδα

Ο γάντζος είναι βολικός για το προσωρινό κρέμασμα του εργαλείου. Μπορεί να τοποθετηθεί σε οποιαδήποτε πλευρά του εργαλείου.

Για να τοποθετήσετε το γάντζο, βάλτε τον σε μια αυλάκωση στο περίβλημα του εργαλείου σε οποιαδήποτε πλευρά και μετά ασφαλίστε τον με μια βίδα. Για να τον αφαιρέσετε, χαλαρώστε τη βίδα και μετά αφαιρέστε τον.

ΛΕΙΤΟΥΡΓΙΑ

▲ **ΠΡΟΣΟΧΗ:** Να χρησιμοποιείτε πάντα την πλάγια λαβή (βοηθητική λαβή) και να κρατάτε σταθερά το εργαλείο από την πλάγια λαβή και τη λαβή διακόπτη κατά την εκτέλεση των εργασιών.

▲ **ΠΡΟΣΟΧΗ:** Πριν από τη λειτουργία, βεβαιώστε πάντοτε ότι το τεμάχιο εργασίας έχει ασφαλιστεί.

ΠΑΡΑΤΗΡΗΣΗ: Αν η κασέτα μπαταρίας βρίσκεται σε χαμηλή θερμοκρασία, η ικανότητα του εργαλείου μπορεί να μην επιτευχθεί πλήρως. Σε αυτή την περίπτωση, ζεστάνετε την κασέτα μπαταρίας χρησιμοποιώντας το εργαλείο χωρίς φορτίο για λίγη ώρα, για να επιτευχθεί πλήρως η ικανότητα του εργαλείου.

► **Εικ.25**

Λειτουργία κρουστικού τρυπανιού

▲ **ΠΡΟΣΟΧΗ:** Το εργαλείο/μύτη τρυπανιού υφίσταται ισχυρή και ξαφνική περιστροφική δύναμη τη στιγμή που διέρχεται από την οπή, όταν η οπή παρουσιάζει έμφραξη με θραύσματα και σωματίδια ή όταν συναντήσει βέργες ενίσχυσης πακτωμένες στο σκυρόδεμα. **Να χρησιμοποιείτε πάντα την πλάγια λαβή (βοηθητική λαβή) και να κρατάτε σταθερά το εργαλείο από την πλάγια λαβή και τη λαβή διακόπτη κατά την εκτέλεση των εργασιών.** Η μη συμμόρφωση μπορεί να έχει ως αποτέλεσμα την απώλεια ελέγχου του εργαλείου και την ενδεχόμενη πρόκληση σοβαρού τραυματισμού.

Ρυθμίστε το κουμπί αλλαγής τρόπου λειτουργίας στο σύμβολο .

Τοποθετήστε τη μύτη στο επιθυμητό σημείο για διάνοιξη της οπής και μετά τραβήξτε τη σκανδάλη διακόπτη.

Μην ασκείτε δύναμη στο εργαλείο. Η μικρή πίεση έχει ως αποτέλεσμα βέλπιστα αποτελέσματα. Κρατήστε το εργαλείο στη θέση του και εμποδίστε το να γλιστρήσει από την οπή.

Μην ασκείτε μεγαλύτερη πίεση, όταν η οπή βουλώσει με θραύσματα ή σωματίδια. Αντ' αυτού, θέστε το εργαλείο στη λειτουργία ρελαντί και μετά τραβήξτε ελαφρώς τη μύτη έξω από την οπή. Αν επαναλάβετε το ίδιο αρκετές φορές, η οπή καθαρίζει από τα θραύσματα και μπορείτε να συνεχίσετε την εργασία διάτρησης.

ΠΑΡΑΤΗΡΗΣΗ: Όταν χρησιμοποιείτε το εργαλείο χωρίς φορτίο, μπορεί να παρουσιαστεί σφάλμα ομοκεντρότητας στην περιστροφή της μύτης. Το εργαλείο αυτοκεντράρεται αυτόματα κατά τη διάρκεια της λειτουργίας. Αυτό δεν επηρεάζει την ακρίβεια της διάτρησης.

Διάτρηση σε ξύλο ή μέταλλο

▲ ΠΡΟΣΟΧΗ: Κρατήστε σταθερά το εργαλείο και προσέχετε ιδιαίτερα τη στιγμή που η μύτη τρυπανιού διέρχεται από το άλλο άκρο της οπής. Ασκείται τεράστια δύναμη στο εργαλείο/μύτη τρυπανιού τη στιγμή που διαπερνάει η οπή.

▲ ΠΡΟΣΟΧΗ: Μπορείτε να αφαιρέσετε μια μπλοκαρισμένη μύτη τρυπανιού με απλή ρύθμιση του διακόπτη αντιστροφής στη θέση αντίστροφης περιστροφής, ώστε η μύτη να οπισθοχωρήσει. Ωστόσο, το εργαλείο μπορεί να οπισθοχωρήσει έξω από την οπή απότομα, αν δεν το κρατάτε σταθερά.

▲ ΠΡΟΣΟΧΗ: Να ασφαρίζετε πάντα τα τεμάχια εργασίας σε μέγερνη ή παρόμοια διάταξη συγκράτησης.

ΕΙΔΟΠΟΙΗΣΗ: Μη χρησιμοποιήσετε ποτέ την «περιστροφή με κρούση» όταν στο εργαλείο είναι τοποθετημένος ο σφικτήρας του τρυπανιού. Μπορεί να υποστεί ζημιά ο σφικτήρας του τρυπανιού. Επίσης, ο σφικτήρας του τρυπανιού θα βγει κατά την αναστροφή της κίνησης του εργαλείου.

ΕΙΔΟΠΟΙΗΣΗ: Η υπερβολική πίεση στο εργαλείο δεν επιταχύνει τη διάτρηση. Στην πραγματικότητα, αυτή η υπερβολική πίεση προκαλεί ζημιά στο άκρο της μύτες τρυπανιού, μείωση της απόδοσης όπως και της διάρκειας ζωής του εργαλείου.

Ρυθμίστε το κουμπί αλλαγής του τρόπου λειτουργίας στο σύμβολο .

Συνδέστε τον προσαρμογέα σφικτήρα με σφικτήρα τρυπανιού χωρίς κλειδί στο οποίο μπορεί να τοποθετηθεί βίδα μεγέθους 1/2"-20 και μετά τοποθετήστε τους στο εργαλείο. Κατά την τοποθέτησή του, ανατρέξτε στην παράγραφο «Τοποθέτηση ή αφαίρεση μύτες τρυπανιού».

- **Εικ.26:** 1. Συγκρότημα σφικτήρα τρυπανιού
2. Προσαρμογέας σφικτήρα

Φυσερό

Προαιρετικό εξάρτημα

Μετά από τη διάτρηση της οπής, χρησιμοποιήστε το φυσερό για να καθαρίσετε τη σκόνη από το εσωτερικό της οπής.

- **Εικ.27**

ΣΥΝΤΗΡΗΣΗ

▲ ΠΡΟΣΟΧΗ: Πριν την εκτέλεση εργασιών επιθεώρησης ή συντήρησης, πάντοτε να βεβαιώνεστε ότι η συσκευή απενεργοποιήθηκε και η κασέτα μπαταριών έχει αφαιρεθεί.

ΕΙΔΟΠΟΙΗΣΗ: Μην χρησιμοποιείτε ποτέ βενζίνη, πετρελαϊκό αιθέρα, διαλυτικό, αλκοόλη ή παρόμοιες ουσίες. Μπορεί να προκληθεί αποχρωματισμός, παραμόρφωση ή ρωγμές.

Για τη διατήρηση της ΑΣΦΑΛΕΙΑΣ και ΑΞΙΟΠΙΣΤΙΑΣ του προϊόντος, οι επισκευές και οποιαδήποτε άλλη εργασία συντήρησης ή ρύθμισης πρέπει να εκτελούνται από εξουσιοδοτημένα ή εργοστασιακά κέντρα εξυπηρέτησης της Makita, χρησιμοποιώντας πάντοτε ανταλλακτικά της Makita.

ΠΡΟΑΙΡΕΤΙΚΑ ΕΞΑΡΤΗΜΑΤΑ

▲ ΠΡΟΣΟΧΗ: Αυτά τα εξαρτήματα ή προσαρτήματα συνιστώνται για χρήση με το εργαλείο Makita που περιγράφηκε στις οδηγίες αυτές. Η χρήση οποιωνδήποτε άλλων εξαρτημάτων ή προσαρτημάτων μπορεί να προκαλέσει κίνδυνο τραυματισμού σε άτομα. Να χρησιμοποιείτε τα εξαρτήματα ή προσαρτήματα μόνο για την χρήση που προορίζονται.

Εάν χρειάζεστε οποιαδήποτε βοήθεια για περισσότερες πληροφορίες σε σχέση με αυτά τα εξαρτήματα, απευθυνθείτε στο τοπικό σας κέντρο εξυπηρέτησης Makita.

- Μύτες τρυπανιού με άκρο καρβιδίου (μύτες με άκρο καρβιδίου SDS-plus)
- Προσαρμογέας σφικτήρα
- Σφικτήρας τρυπανιού χωρίς κλειδί
- Γράσο μυτών
- Ρυθμιστής βάθους
- Φυσερό
- Κάλυμμα σκόνης
- Σετ καλύμματος σκόνης
- Σετ βάσης λαβής
- Προστατευτικά γυαλιά
- Γάντζος
- Γνήσια μπαταρία και φορτιστής της Makita
- Πλαστική θήκη μεταφοράς

ΠΑΡΑΤΗΡΗΣΗ: Μερικά στοιχεία στη λίστα μπορεί να συμπεριλαμβάνονται στη συσκευασία εργαλείου ως στάνταρ εξαρτήματα. Μπορεί να διαφέρουν ανάλογα με τη χώρα.

TEKNİK ÖZELLİKLER

Model:		DHR171
Delme kapasiteleri	Beton	17 mm
	Çelik	10 mm
	Tahta	13 mm
Yüksüz hız		0 - 680 min ⁻¹
Dakikadaki darbe sayısı		0 - 4.800 min ⁻¹
Toplam uzunluk		273 mm
Nominal voltaj		D.C. 18 V
Standart batarya kartuşu		BL1815N / BL1820 / BL1820B / BL1830 / BL1830B / BL1840 / BL1840B / BL1850 / BL1850B / BL1860B
Net ağırlık		2,1 - 2,8 kg

- Sürekli yapılan araştırma ve geliştirmelerden dolayı, burada belirtilen özellikler önceden bildirilmeksizin değiştirilebilir.
- Özellikler ve batarya kartuşu ülkeden ülkeye değişebilir.
- Ağırlık, ekli aksesuara/aksesuarlara ve batarya kartuşuna bağlı olarak farklılık gösterebilir. EPTA-Prosedürü 01/2014'e göre en hafif ve en ağır kombinasyonlar tabloda verilmiştir.

Kullanım amacı

Bu alet tuğla, beton ve taş malzemelerde darbeli delme işlemi için tasarlanmıştır. Bu alet ahşap, metal, seramik ve plastik malzemelerde darbesiz delme işlemleri için de uygundur.

Gürültü

Tipik A-ağırlıklı gürültü düzeyi (EN60745 standardına göre belirlenen):

Ses basınç seviyesi (L_{pA}): 86 dB (A)

Ses gücü düzeyi (L_{WA}): 97 dB (A)

Belirsizlik (K): 3 dB (A)

UYARI: Kulak koruyucuları takın.

Titreşim

Titreşim toplam değeri (üç eksenli vektör toplamı)

(EN60745 standardına göre hesaplanan):

Çalışma modu: darbeli beton delme

Titreşim emisyonu ($a_{h,HD}$): 9,0 m/s²

Belirsizlik (K): 1,5 m/s²

Çalışma modu: metal delme

Titreşim emisyonu ($a_{h,D}$): 2,5 m/s² ya da daha az

Belirsizlik (K): 1,5 m/s²

NOT: Beyan edilen titreşim emisyon değeri standart test yöntemine uygun şekilde ölçülmüştür ve bir aleti bir başkasıyla karşılaştırmak için kullanılabilir.

NOT: Beyan edilen titreşim emisyon değeri bir ön maruz kalma değerlendirmesi olarak da kullanılabilir.

UYARI: Bu elektrikli aletin gerçek kullanımı sırasındaki titreşim emisyonu aletin kullanım biçimlerine bağlı olarak beyan edilen emisyon değerinden farklı olabilir.

UYARI: Gerçek kullanım koşullarındaki maruz kalmanın bir tahmini hesaplaması temelinde operatörü koruyacak güvenlik önlemlerini mutlaka belirleyin (çalışma döngüsü içerisinde aletin kapalı olduğu ve aktif durumda olmasının yanı sıra boşta çalıştığı zamanlar gibi, bütün zaman dilimleri göz önünde bulundurularak değerlendirilmelidir).

EC Uygunluk Beyanı

Sadece Avrupa ülkeleri için

EC uygunluk beyanı bu kullanım kılavuzuna Ek A olarak eklenmiştir.

GÜVENLİK UYARILARI

Genel elektrikli alet güvenliği uyarıları

UYARI: Bu elektrikli aletle birlikte sunulan tüm güvenlik uyarılarını, talimatları, çizimleri ve teknik özellikleri okuyun. Aşağıda verilen talimatlara uyulmaması elektrik şoku, yangın ve/veya ciddi yaralanmalar ile sonuçlanabilir.

Tüm uyarıları ve talimatları iletiride başvurmak için saklayın.

Uyarılardaki "elektrikli alet" terimi ile ya prizden çalışan (kordonlu) elektrikli aletiniz ya da kendi aküsü ile çalışan (kordsuz) elektrikli aletiniz kastedilmektedir.

AKÜLÜ KIRICI DELİCİ İLE İLGİLİ GÜVENLİK UYARILARI

1. Kulak koruyucuları takın. Gürültüye maruz kalmak işitme kaybına neden olabilir.
2. Aletle birlikte sağlanmışsa yardımcı tutamağı/ tutamakları kullanın. Kontrol kaybı yaralanmaya neden olabilir.
3. Kesici aksesuarın görünmeyen kablolarına temas etme olasılığı bulunan yerlerde çalışırken elektrikli aleti yalıtımlı kavrama yüzeylerinden tutun. Kesici aksesuarın "akımlı" bir telle temas etmesi elektrikli aletin yalıtımsız metal kısımlarını "akımlı" hale getirebilir ve kullanıcıyı elektrik şokuna maruz bırakabilir.
4. Sert bir başlık (emniyet kaskı), koruyucu gözlük ve/veya yüz siperi kullanın. Normal gözlükler veya güneş gözlükleri koruyucu gözlük DEĞİLDİR. Ayrıca bir toz maskesi ve kalın eldivenler giymeniz de önerilir.
5. Çalışmaya başlamadan önce ucun yerine sağlam bir şekilde taktığından emin olun.
6. Normal kullanımda, alet titreşim üretecek şekilde tasarlanmıştır. Vidalar kolayca gevşeyebilir, arızaya ya da kazaya sebep olabilir. Kullanmadan önce vidaların sıkılığını kontrol edin.
7. Soğuk havalarda ya da alet uzun bir süre kullanılmamışsa, yüksük olarak bir müddet çalıştırıp aletin ısınmasını sağlayın. Bu işlem yağın çözülmesini sağlar. Uygun bir şekilde ısıtıldığında, kırma işleminde zorluk görülür.
8. Her zaman yere sağlam basın. Aleti yüksekte kullandığınızda, altında kimsenin olmadığını emin olun.
9. Aleti iki elle sıkıca tutun.
10. Ellerinizi hareketli parçalardan uzak tutun.
11. Aleti çalışır durumda bırakmayın. Aleti sadece elinizde iken çalıştırın.
12. Kullanım sırasında aleti etraftaki herhangi birine doğrultmayın. Uç yerinden fırlayıp ciddi yaralanmalara sebep olabilir.
13. Çalışmanız bittikten hemen sonra uca, uca yakın kısımlara veya iş parçasına dokunmayın; bunlar aşırı sıcak olabilir ve yanıklara yol açabilir.
14. Bazı malzemeler zehirli olabilen kimyasallar içerirler. Toz yutmayı ve cilt temasını önlemek için tedbir alın. Malzeme sağlayıcısının güvenlik bilgilerine uyun.
15. Aleti başka bir kişiye vermeden önce mutlaka aletin kapalı olduğundan ve batarya kartuşu ile ucun çıkarıldığından emin olun.

BU TALİMATLARI SAKLAYIN.

⚠UYARI: Ürünü kullanırken (defalarca kullanınca kazanılan) rahatlık ve tanıdıklık duygusunun ilgili ürünün güvenlik kurallarına sıkı sıkıya bağlı kalmanızı yerine geçmesine İZİN VERMEYİN. YANLIŞ KULLANIM veya bu kullanma kılavuzunda belirtilen emniyet kurallarına uymama ciddi yaralanmaya neden olabilir.

Batarya kartuşu hakkında önemli güvenlik talimatları

1. Batarya kartuşunu kullanmadan önce, tüm talimatları ve (1) batarya kartuşu, (2) batarya ve (3) ürün üzerindeki tüm uyarı işaretlerini okuyun.
2. Batarya kartuşunu demonte etmeyin.
3. Çalışma süresi aşırı derecede kısalmışsa kullanmayı derhal bırakın. Aşırı ısınma, yanma riski hatta patlamaya neden olabilir.
4. Gözünüze elektrolit kaçarsa, gözlerinizi temiz suyla durulayın ve hemen tıbbi yardım alın. Görme kaybına yol açabilir.
5. Batarya kartuşuna kısa devre yaptırmayın:
 - (1) Terminallere herhangi bir iletken madde değdirmeyin.
 - (2) Batarya kartuşunu çiviler, madeni paralar, vb. gibi başka metal nesnelere aynı kaba koymaktan kaçının.
 - (3) Batarya kartuşunu yağmura ya da suya maruz bırakmayın.Kısa devre, büyük bir akım akışına, aşırı ısınmaya, olası yanıklara hatta bataryanın bozulmasına yol açabilir.
6. Aleti ve batarya kartuşunu sıcaklığın 50°C ya da daha yükseğe ulaştığı yerlerde saklamayın.
7. Aşırı derecede hasar görmüş ya da tamamen kullanılmaz durumda olsa bile batarya kartuşunu yakmayın. Batarya kartuşu ateşe atılırsa patlayabilir.
8. Bataryayı düşürmemeye ve çarpmamaya dikkat edin.
9. Hasarlı bataryayı kullanmayın.
10. Aletin içerdiği lityum-iyon bataryalar Tehlikeli Eşyalar Yönetmeliğinin gereksinimlerine tabidir. Ticari nakliye işlemleri için, örneğin üçüncü taraf, nakliye acenteleri tarafından yapılan nakliyelerde, paketlenme ve etiketleme gereksinimlerine uyulmalıdır. Nakliyesi yapılacak ürünün hazırlanması için, tehlikeli maddeler konusunda uzman bir kişiye danışın. Lütfen muhtemelen daha ayrıntılı olan ulusal yönetmeliklere de uyun. Açık kontakları bantlayın ya da maskeleyin ve bataryayı paketin içinde hareket etmeyecek şekilde paketleyin.
11. Bataryanın elden çıkarılması ile ilgili yerel düzenlemelere uyunuz.
12. Bataryaları sadece Makita tarafından belirtilen ürünlerle kullanın. Bataryaların uyumsuz ürünlere takılması; yangın, aşırı ısınma, patlama ya da elektrolit sızıntısına neden olabilir.

BU TALİMATLARI MUHAFAZA EDİNİZ.

⚠DİKKAT: Sadece orijinal Makita bataryalarını kullanın. Orijinal olmayan Makita bataryaları ya da üzerine değişiklik yapılmış bataryaların kullanımı bataryanın patlamasına ve sonuç olarak yangın, kişisel yaralanma ve hasara neden olabilir. Ayrıca Makita aleti ve şarj aletinin Makita tarafından sunulan garantisini geçersiz olur.

Maksimum batarya ömrü için ipuçları

1. Batarya kartuşunu tamamen boşalmadan önce şarj edin. Aletin gücünün zayıflamaya başladığını fark ettiğinizde aleti durdurun ve batarya kartuşunu şarj edin.
2. Tam dolu bir batarya kartuşunu asla yeniden şarj etmeyin. Aşırı şarj etme bataryanın hizmet ömrünü kısaltır.
3. Batarya kartuşunu 10°C - 40°C oda sıcaklığında şarj edin. Sıcak bir batarya kartuşunu şarj etmeden önce soğumasını bekleyin.
4. Uzun bir süre (altı aydan daha fazla) kullanmadığınız durumlarda batarya kartuşunu şarj edin.

İŞLEVSEL NİTELİKLER

⚠️ DİKKAT: Alet üzerinde ayarlama veya işleyiş kontrolü yapmadan önce aletin kapalı ve batarya kartuşunun ayrılmış olduğundan daima emin olun.

Batarya kartuşunun takılması ve çıkarılması

⚠️ DİKKAT: Batarya kartuşunu takmadan ya da çıkarmadan önce aleti daima kapatın.

⚠️ DİKKAT: Batarya kartuşunu takarken veya çıkarırken aleti ve batarya kartuşunu sıkıca tutun. Aletin ve batarya kartuşunun sıkıca tutulmaması bunların düşürülmesine sebep olabilir ve alet ve batarya kartuşunun zarar görmesine ya da ciddi yaralanmasına yol açabilir.

► **Şek.1:** 1. Kırmızı gösterge 2. Düğme 3. Batarya kartuşu

Batarya kartuşunu çıkarmak için, kartuşun ön tarafındaki düğmeyi kaydırarak kartuşu aletten çıkarın.

Batarya kartuşunu takmak için, batarya kartuşu üzerindeki dili yuvanın çentiği ile hizalayın ve yerine oturtun. Hafif bir tiki sesi duyulana kadar itip yerine tam oturtmasını sağlayın. Düğmenin üst tarafındaki kırmızı gösterge görüntüyorsa tam yerine kilitlenmemiş demektir.

⚠️ DİKKAT: Batarya kartuşunu daima kırmızı gösterge görünmeyecek şekilde tam olarak takın. Yerine tam oturmazsa, aletten yanlışlıkla düşebilir, sizin ya da çevrenizdeki kişilerin yaralanmasına neden olabilir.

⚠️ DİKKAT: Batarya kartuşunu zorlayarak takmayın. Kartuş kolay bir şekilde kaymıyorsa doğru yerleştirilmemiş demektir.

Kalan batarya kapasitesinin gösterilmesi

Sadece göstergeli batarya kartuşları için

► **Şek.2:** 1. Gösterge lambaları 2. Kontrol düğmesi

Kalan batarya kapasitesini göstermesi için batarya kartuşu üzerindeki kontrol düğmesine basın. Gösterge lambaları birkaç saniye yanar.

Gösterge lambaları			Kalan kapasite	
Yanıyor	Kapalı	Yanıp sönüyor		
■	□	▣	%75 ila %100	
■ ■ ■ ■				
■ ■ ■ □				%50 ila %75
■ ■ □ □				
■ □ □ □			%25 ila %50	
■ □ □ □			%0 ila %25	
▣ □ □ □			Bataryayı şarj edin.	
■ ■ □ □			Batarya arızalanmış olabilir.	
□ □ ■ ■				

NOT: Kullanım koşullarına ve ortam sıcaklığına bağlı olarak, gösterilen değer gerçek kapasiteden biraz farklılık gösterebilir.

Alet/batarya koruma sistemi

Bu alet bir alet/batarya koruma sistemi ile donatılmıştır. Bu sistem motora giden gücü otomatik olarak keserek uzun alet ve batarya ömrü sağlar. Alet veya batarya için aşağıdaki durumlardan biri söz konusu olduğunda aletin işleyişi otomatik olarak durur:

Aşırı yük koruması

Batarya, anormal derecede yüksek akım çekmesine neden olacak şekilde kullanıldığında, alet hiçbir belirti vermeden otomatik olarak durur. Bu durumda, aleti kapatın ve aletin aşırı yüklenmesine neden olan uygulamayı durdurun. Daha sonra aleti yeniden başlaması için çalıştırın.

Aşırı ısınma koruması

Alet veya batarya aşırı ısındığında otomatik olarak durur ve lamba yanıp söner. Bu durumda, yeniden çalıştırmadan önce aletin ve bataryanın soğumasını bekleyin.

Aşırı deşarj koruması

Batarya kapasitesi yeterli olmadığında, alet otomatik olarak durur. Bu durumda, bataryayı aletten çıkarın ve bataryayı tekrar şarj edin.

Anahtar işlemi

⚠UYARI: Batarya kartuşunu alete takmadan önce anahtar tetiğın doğru çalıştıđından ve bırakıldıđında “OFF” (kapalı) konumuna döndüđünden emin olun.

► **Şek.3:** 1. Anahtar tetik

Aleti çalıştırmak için, sadece anahtar tetiđi çekin. Aletin çalışma hızı anahtar tetik üstüne daha fazla baskı yapılarak artırılır. Durdurmak için anahtar tetiđi serbest bırakın.

Ön lambanın yakılması

► **Şek.4:** 1. Anahtar tetik 2. Lamba

⚠DİKKAT: Işıđa bakmayın ya da ışık kaynađını doğrudan görmeyin.

Lambayı yakmak için anahtar tetiđi çekin. Anahtar tetik çekilirken lamba yanmaya devam eder. Anahtar tetik serbest bırakıldıktan yaklaşık 10 saniye sonra lamba söner.

NOT: Lamba lensini temizlemek için kuru bir bez kullanın. Aydınlatmayı azaltacađı için lamba lensinin çizilmemesine dikkat edin.

Ters dönuş mandalı işlemi

► **Şek.5:** 1. Ters dönuş mandalı anahtarı

⚠DİKKAT: Kullanmadan önce dönuş yönünü daima kontrol edin.

⚠DİKKAT: Ters döndürme anahtarını sadece alet tamamen durduktan sonra kullanın. Dönuş yönünün alet durmadan önce deđiştirilmesi alete zarar verebilir.

⚠DİKKAT: Aleti kullanmadıđınız zaman, ters döndürme anahtarını daima nötr konumuna ayarlayın.


Bu aletin dönuş yönünü deđiştirmek için bir ters döndürme anahtarı vardır. Ters döndürme anahtarına saat yönünde dönuş için A tarafından tersi yönde dönuş içinse B tarafından bastırın. Ters döndürme anahtarı nötr konumundayken tetik anahtar çekilemez.

Bir eylem modu seçme

ÖNEMLİ NOT: Alet çalışırken eylem modu deđiştirme düğmesini döndürmeyin. Alet zarar görebilir.


ÖNEMLİ NOT: Mod deđiştirme mekanizmasının hızlı aşınmasını önlemek için, eylem modu deđiştirme düğmesinin eylem modu pozisyonlarından birine tam olarak döndürüldüđünden emin olun.

Kırmalı dönuş

Beton, taş vb. delerken, eylem modu deđiştirme düğmesini  sembolüne doğru döndürün. Karbür matkap ucu kullanın.

► **Şek.6:** 1. Eylem modu deđiştirme düğmesi

Sadece dönuş

Tahta, metal veya plastik malzemeleri delerken, eylem modu deđiştirme düğmesini  sembolüne doğru döndürün. Spiral matkap ucu veya ahşap matkap ucu kullanın.

► **Şek.7:** 1. Eylem modu deđiştirme düğmesi

MONTAJ

⚠DİKKAT: Alet üzerinde herhangi bir iş yapmadan önce aletin kapalı ve batarya kartuşunun ayrılmış olduđundan daima emin olun.

Yan kavrama kolu (yardımcı tutamak)

⚠DİKKAT: Çalışma güvenliđi için daima yan kavrama kolunu kullanın.

⚠DİKKAT: Yan kavrama kolunu takıp ayarladıktan sonra yerine iyice sabitlendiđinden emin olun.

Yan kavrama kolu üzerindeki oluklar alet gövdesindeki çıkıntıların arasına denk gelecek şekilde takın. Kavrama kolunu sabitlemek için saat yönünde döndürün. Kavrama kolu istenen açıda sabitlenebilir.

► **Şek.8:** 1. Yan kavrama kolu

Gres yađı

Matkap ucunun mil ucunu önceden küçük bir miktar gres ile yađlayın (yaklaşık 0,5 - 1 g). Mandrenin yađlanması yumuşak bir çalışma ve daha uzun servis ömrü sağlar.

Matkap ucunun takılması veya çıkarılması

Matkap ucunu takmadan önce matkap ucunun mil ucunu temizleyin ve gres ile yađlayın.

► **Şek.9:** 1. Mil ucu 2. Gres yađı

Matkap ucunu alete takın. Matkap ucunu çevirip yerine oturana kadar itin.

Matkap ucunu taktıktan sonra çekmeye çalışarak matkap ucunun yerine sağlam bir şekilde oturduđundan daima emin olun.

► **Şek.10:** 1. Matkap ucu

Matkap ucunu çıkarmak için, mandren kapađını tamamen aşıđı çekin ve matkap ucunu çekip çıkarın.

► **Şek.11:** 1. Matkap ucu 2. Mandren kapađı

Derinlik mastarı

Derinlik mastarı eşit derinlikte delikler delmeye yarar. Yan kavrama kolunu gevşetin ve derinlik mastarını yan kavrama kolundaki deliđin içine yerleştirin. Derinlik mastarını istenilen derinliđe ayarlayın ve yan kavrama kolunu iyice sıkıştırın.

► **Şek.12:** 1. Delik 2. Derinlik mastarı

NOT: Derinlik mastarını takarken, derinlik mastarının aletin ana gövdesine temas etmediđinden emin olun.

Toz başlığı

İsteğe bağlı aksesuarlar

Tozun yere ve üzerinize dökülmesini önlemek için başınızdan daha yukarıdaki delme işlemlerini gerçekleştiren toz başlığını kullanın. Toz başlığını şekilde gösterildiği gibi uca takın. Toz başlığının takılabileceği uç boyutları aşağıda verilmiştir.

Model	Uç çapı
Toz başlığı 5	6 mm - 14,5 mm
Toz başlığı 9	12 mm - 16 mm

► **Şek.13:** 1. Toz başlığı

Toz başlığı seti

İsteğe bağlı aksesuarlar

Toz başlığı setinin takılması

ÖNEMLİ NOT: İsteğe bağlı aksesuar olarak toz başlığı setini satın alırsanız standart yan kavrama kolu, toz başlığı seti alete takılıyken kullanılamaz. Alete toz başlığı seti takılıysa kavrama kolunu standart yan kavrama kolundan çıkarın ve daha sonra isteğe bağlı kavrama kolu taban setine takın.

► **Şek.14:** 1. Cıvata 2. Kavrama kolu 3. İsteğe bağlı kavrama kolu taban seti

ÖNEMLİ NOT: Metal ve benzeri malzemeleri delerken toz başlığı setini kullanmayın. Bunun yapılması, küçük metal tozları ve benzeri maddelerin neden olduğu ısı yüzünden toz başlığı setine zarar verebilir. Matkap ucu alete takılı iken toz başlığı setini takmayın veya çıkarmayın. Bunun yapılması toz başlığı setine zarar verebilir ve toz sızmasına neden olabilir.

Toz başlığı setini takmadan önce ucun takılı olması durumunda ucu aletten çıkarın.

1. Ara parçayı genişleterek, ara parça üzerindeki oluklar alet gövdesi üzerindeki çıkıntılara oturacak şekilde takın. Yayın, ara parçanın kesik bölümünden çıkmamasına dikkat edin.

► **Şek.15:** 1. Ara parça 2. Yay

► **Şek.16**

2. Yan kavrama kolunu (isteğe bağlı kavrama kolu taban seti ve kavrama kolu, standart yan kavrama kolundan çıkarılmış), kavrama kolu üzerindeki oluklar ara parçadaki çıkıntılara oturacak şekilde takın. Kavrama kolunu sabitlemek için saat yönünde döndürün.

► **Şek.17:** 1. Yan kavrama kolu

3. Toz başlığı setini, toz başlığının kısıkaçları ara parçadaki kesiklere oturacak şekilde takın.

► **Şek.18:** 1. Toz başlığı 2. Kısıkaçlar

NOT: Toz başlığı setine bir elektrikli süpürge bağlıyorsanız, bunu yapmadan önce toz kapağını çıkarın.

► **Şek.19:** 1. Toz kapağı

Matkap ucunun çıkarılması

Matkap ucunu çıkarmak için, mandren kapağını tamamen aşağı çekin ve matkap ucunu çekip çıkarın.

► **Şek.20:** 1. Uç 2. Mandren kapağı

Toz başlığı setinin çıkarılması

Toz başlığı setini çıkarmak için aşağıdaki adımları izleyin.

1. Yan kavrama kolunu gevşetin.

► **Şek.21:** 1. Yan kavrama kolu

2. Toz başlığının alt kısmını tutun ve çekerek çıkarın.

► **Şek.22:** 1. Toz başlığı

NOT: Toz başlığı setini çıkarmakta zorlanıyorsanız, toz başlığının alt kısmını döndürerek ve çekerek toz başlığının kısıkaçlarını birer birer çıkarın.

NOT: Toz başlığının kapağı çıkarsa, yazılı kısmı yukarı bakacak ve kapağın üzerindeki oluk ek parçanın çevreleyen kısmının içine oturacak şekilde takın.

► **Şek.23**

Kanca

İsteğe bağlı aksesuarlar

⚠DİKKAT: Aleti kanca ile asarken bataryayı daima çıkarın.

⚠DİKKAT: Aleti yüksek ya da dengesi bozulabilecek bir yüzeye asla asmayın.

► **Şek.24:** 1. Oluk 2. Kanca 3. Vida

Kanca, aletin geçici bir süre asılması için kullanışlıdır. Bu kanca, aletin her iki yanına da takılabilir. Kancayı takmak için, onu alet gövdesinin her iki yanındaki oluklardan birine geçirin ve sonra bir vida ile sabitleyin. Çıkarmak için, vidayı gevşetin ve sonra dışarı çekip alın.

KULLANIM

⚠DİKKAT: Çalışırken daima yan kavrama kolunu (yardımcı tutamak) kullanın ve aleti hem yan kavrama kolundan hem de anahtar kabzasından sıkıca kavrayın.


⚠DİKKAT: Çalışmaya başlamadan önce iş parçasının sabitlenmiş olduğundan daima emin olun.

NOT: Batarya kartuşunun sıcaklığı düşük olduğunda, aletten tam verim alınmayabilir. Bu durumda, aletten tam verim alabilmek için aleti yüksüz olarak bir müddet çalıştırıp batarya kartuşunu ısıtın.

► **Şek.25**

Darbeli matkap işleyişi

⚠DİKKAT: Delik delme sırasında delik talaşlar ya da parçacıklarla tıkanacağı ya da betona gömülü betonarme demirlerine çarpıldığı zaman, alet/matkap ucu üstüne çok büyük ve ani bir burulma kuvveti etki eder. **Çalışırken daima yan kavrama kolunu (yardımcı tutamak) kullanın ve aleti hem yan kavrama kolundan hem de anahtar kabzasından sıkıca kavrayın.** Bunu yapmazsanız aletin kontrolünü kaybedebilir ve ciddi şekilde yaralanmaya neden olabilirsiniz.

Eylem modu değiştirme düğmesini  sembolüne ayarlayın. Matkap ucunu delmek istediğiniz noktaya yerleştirin ve ardından anahtar tetiği çekin. Aleti zorlamayın. En iyi sonucu almak için hafif bir basınç uygulamanız yeterlidir. Aletin konumunu koruyun ve deliğin dışına kaymasını önleyin.

Delik talaş ya da parçacıklardan dolayı tıkanırsa daha fazla basınç uygulamayın. Bunun yerine aleti rölantide çalıştırın ve ardından matkap ucunu kısmen delikten çıkarın. Bunu birkaç kez tekrarladığınızda delik temizlenir ve normal delme işlemine devam edilebilir.

NOT: Alet yüksüz olarak çalıştığı anda matkap ucunun dönüşünde merkezden sapma meydana gelebilir. Kullanım sırasında alet otomatik olarak konumu düzeltir. Delme işleminin kesinliği etkilenmez.

Tahta veya metal delme

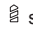
⚠DİKKAT: Matkap ucu, iş parçasını delip çıkmaya başladığında aleti sıkı tutun ve dikkat sarf edin. Deliğin açılması sırasında alet/matkap ucu üzerine çok büyük güç uygulanır.

⚠DİKKAT: Sıkışan bir matkap ucu, aleti ters yöne döndürerek kolayca çıkartılabilir. Fakat bu durumda aleti sıkıca tutmak gerekir, aksi halde alet darbe ile aniden elden çıkabilir.

⚠DİKKAT: İş parçalarını daima bir mengene ya da benzer sıkıştırma aygıtlarıyla sabitleyin.

ÖNEMLİ NOT: Matkap mandreni aletin üzerine takılı olduğunda “kırmalı dönüş” özelliğini asla kullanmayın. Matkap mandreni zarar görebilir. Ayrıca, alet ters dönerken matkap mandreni yerinden çıkar.

ÖNEMLİ NOT: Alete aşırı baskı yapıldığında delme işlemi hızlanmayacaktır. Aşırı baskı matkap ucunun yıpranmasına, alet performansının düşmesine ve aletin kullanım ömrünün kısalmasına yol açacaktır.

Eylem modu değiştirme düğmesini  sembolüne ayarlayın. Mandren adaptörünü, 1/2"-20 vida monte edilebilen bir anahtarsız matkap mandrenine takın ve daha sonra bunlar alete takın. Takarken, “Matkap ucunun takılması veya çıkarılması” bölümüne başvurun. ► **Şek.26:** 1. Matkap mandreni tertibatı 2. Mandren adaptörü

Toz üfleme aparatı

İsteğe bağlı aksesuarlar

Deliği deldikten sonra, deliğin içindeki tozu temizlemek için toz üfleme aparatını kullanın. ► **Şek.27**

BAKIM

⚠DİKKAT: Muayene ya da bakım yapmadan önce aletin kapalı ve batarya kartuşunun çıkartılmış olduğundan daima emin olun.

ÖNEMLİ NOT: Benzin, tiner, alkol ve benzeri maddeleri kesinlikle kullanmayın. Renk değişimi, deformasyon veya çatlaklar oluşabilir.

Aleti EMNİYETLİ ve ÇALIŞMAYA HAZIR durumda tutmak için onarımlar, başka her türlü bakım ve ayarlamalar daima Makita yedek parçaları kullanılarak Makita yetkili servis merkezleri veya Fabrikanın Servis Merkezleri tarafından yapılmalıdır.

İSTEĞE BAĞLI AKSESUARLAR

⚠DİKKAT: Bu aksesuarlar ve ek parçalar bu el kitabında belirtilen Makita aletiniz ile kullanılmak için tavsiye edilmektedir. Herhangi başka bir aksesuar ya da ek parça kullanılması insanlar için bir yaralanma riski getirebilir. Aksesuarları ya da ek parçaları yalnızca belirtilmiş olan kullanım amaçlarına uygun olarak kullanın.

Bu aksesuarlarla ilgili daha fazla bilgiye ihtiyaç duyar-sanız bulunduğunuz yerdeki yetkili Makita servisine başvurun.

- KARBÜR matkap uçları (SDS-plus karbür matkap uçları)
- Mandren adaptörü
- Anahtarsız matkap mandreni
- Uç gresi
- Derinlik mastarı
- Toz üfleme aparatı
- Toz başlığı
- Toz başlığı seti
- Kavrama kolu taban seti
- Koruyucu gözlük
- Kanca
- Orijinal Makita batarya ve şarj aleti
- Plastik taşıma çantası

NOT: Listedeki parçaların bazıları alet paketi içerisinde standart aksesuar olarak dahil edilmiş olabilir. Bunlar ülkeden ülkeye farklılık gösterebilir.

Makita Europe N.V. Jan-Baptist Vinkstraat 2,
3070 Kortenberg, Belgium

Makita Corporation 3-11-8, Sumiyoshi-cho,
Anjo, Aichi 446-8502 Japan

www.makita.com

885596B997 EN, FR, DE, IT, NL, ES, PT, DA, EL, TR 20180208
