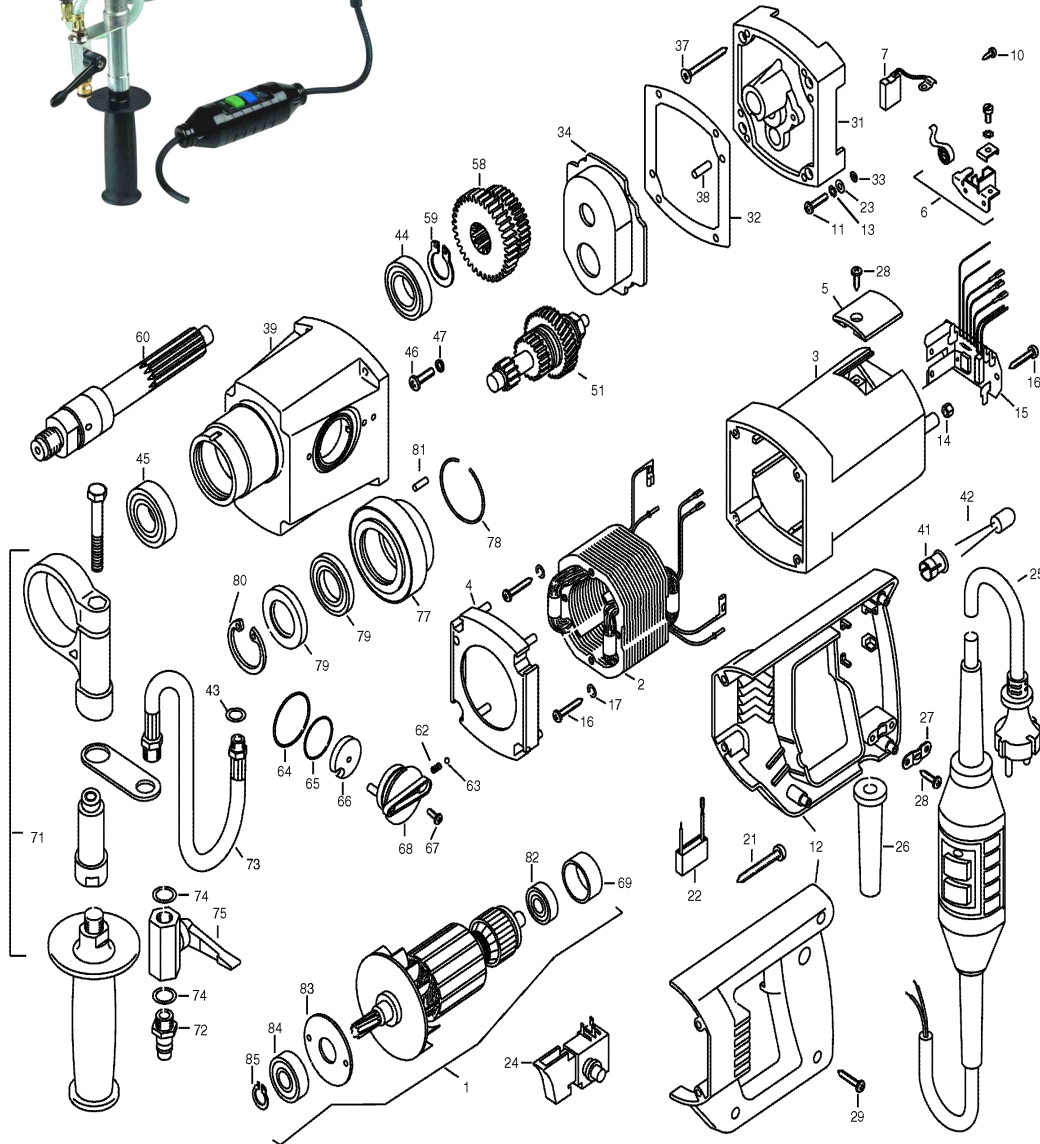


Modell DBM131
Nass-Trocken-Diamant-Kern-Bohrmaschine
1.700 Watt



| Pos. *PG | Bestell-Nr. | Bezeichnung | Pos. *PG | Bestell-Nr. | Bezeichnung | | |
|----------|-------------|-------------|--------------------------|-------------|-------------|------------|--------------------------|
| 001 | 62 | EE73313100 | ANKER KOMPLETT | 071 | 34 | EE7DE33695 | SEITENGRIF KPL. |
| 002 | 47 | EE73320150 | FELD | 072 | 13 | EE83000111 | ANSCHLUSSSTUECK GARDENA |
| 003 | 33 | EE80900159 | MOTORGEHAEUSE | 073 | 22 | EE83000109 | ANSCHLUSSSCHLAUCH |
| 004 | 12 | EE73320140 | FELDABDECKUNG | 074 | 1 | EE83000107 | DICHTRING 1/4" |
| 005 | 1 | EE73320215 | KOHLBUERSTENABDECKUNG | 075 | 25 | EE83000100 | KUGELHAHN |
| 006 | 17 | EE80201199 | KOHLBUERSTENHALTER KPL. | 077 | 32 | EE73427405 | AUFSATZ |
| 007 | 16 | EE80700019 | KOHLBUERSTE | 078 | 1 | EE80200745 | SPRENGRING |
| 010 | 1 | EE80201252 | BLECHSCHRAUBE 2,9x13 | 079 | 20 | EE83000070 | WELLENDICHTRING 30x40x5 |
| 011 | 1 | EE80201131 | LINSENSCHRAUBE M4x16 | 080 | 2 | EE80201339 | SICHERUNGSRING 40 |
| 012 | 23 | EE73421261 | GRIFFSCHALEN | 081 | 1 | EE80200580 | STIFT 5x16 |
| 013 | 1 | EE80200752 | ZAHNSCHEIBE 4,3 | 082 | 21 | 211201-7 | RILLENKUGELLAGER 6002LLB |
| 014 | 1 | EE80201295 | KUNSTSTOFFMUTTER M5 | 083 | 17 | EE73320310 | LAGERABDECKUNG |
| 015 | 53 | EE73421280 | ELEKTRONIK | 084 | 19 | 211106-1 | RILLENKUGELLAGER 6201LLB |
| 016 | 1 | EE80201273 | BLECHSCHRAUBE 4,2x25 | 085 | 1 | EE80201320 | SICHERUNGSRING 11/1 |
| 017 | 1 | EE80201362 | SICHERUNGSSCHEIBE S6 | | | | |
| 021 | 1 | EE80201267 | BLECHSCHRAUBE 4,8x45 | | | | |
| 022 | 13 | EE73320305 | KONDENSATOR | | | | |
| 023 | 1 | EE80201371 | SCHEIBE 4,3 | | | | |
| 024 | 24 | EE80600116 | SCHALTER | | | | |
| 025 | 60 | EE73119262 | PRCD-SCHALTER KPL. | | | | |
| 026 | 7 | EE71323255 | KNICKSCHUTZ | | | | |
| 027 | 2 | EE71540330 | ZUGENTLASTUNG | | | | |
| 028 | 1 | EE80201270 | BLECHSCHRAUBE 4,2x13 | | | | |
| 029 | 1 | EE80201272 | BLECHSCHRAUBE 4,2x22 | | | | |
| 031 | 46 | EE7332S610 | GETRIEBELAGERSCHILD | | | | |
| 032 | 6 | EE73320620 | DICHTUNG | | | | |
| 033 | 1 | EE83000019 | RING 3,68x1,78 | | | | |
| 034 | 7 | EE73320625 | FETTKAMMERDECKEL | | | | |
| 037 | 2 | EE80201275 | SENKSCHEIBE 4,5x50 | | | | |
| 038 | 1 | EE80200580 | STIFT 5x16 | | | | |
| 039 | 52 | EE73429400 | GETRIEBEGEHAEUSE | | | | |
| 041 | 3 | EE80601153 | HALTERUNG | | | | |
| 042 | 10 | EE80601154 | LEUCHTDIODE | | | | |
| 043 | 1 | EE83000106 | DICHTRING 1/8" | | | | |
| 044 | 23 | 211323-3 | RILLENKUGELLAGER 6904LLB | | | | |
| 045 | 21 | 211301-3 | RILLENKUGELLAGER 6004LLB | | | | |
| 046 | 1 | EE80201204 | LINSENSCHRAUBE M5x20 | | | | |
| 047 | 1 | EE80201302 | FEDERRING 5 | | | | |
| 051 | 60 | EE73421493 | RUTSCHKUPPLUNG KPL. | | | | |
| 058 | 33 | EE73421440 | STUFENSTIRNRAD | | | | |
| 059 | 1 | EE80201319 | SICHERUNGSRING 19 | | | | |
| 060 | 43 | EE73427420 | SPINDEL | | | | |
| 062 | 3 | EE80200698 | DRUCKFEDER | | | | |
| 063 | 1 | EE80410080 | KUGEL 3,5 | | | | |
| 064 | 5 | EE83000022 | RING 36x1,5 | | | | |
| 065 | 3 | EE83000017 | RING 28x1 | | | | |
| 066 | 14 | EE73320542 | HALTEPLATTE | | | | |
| 067 | 1 | EE80201149 | SCHRAUBE M3x12 | | | | |
| 068 | 17 | EE73320541 | UMSCHALTER | | | | |
| 069 | 7 | EE73320315 | PASSRING | | | | |

| Zubehör | | |
|-----------|-----------------------------------|-----------|
| - P-41757 | DIAMANT-BOHRKRONE | 14x300mm |
| - P-41763 | DIAMANT-BOHRKRONE | 16x300mm |
| - P-41779 | DIAMANT-BOHRKRONE | 18x300mm |
| - P-41785 | DIAMANT-BOHRKRONE | 20x300mm |
| - P-41791 | DIAMANT-BOHRKRONE | 22x300mm |
| - P-41800 | DIAMANT-BOHRKRONE | 24x300mm |
| - P-41816 | DIAMANT-BOHRKRONE | 26x300mm |
| - P-41822 | DIAMANT-BOHRKRONE | 29x300mm |
| - P-41838 | DIAMANT-BOHRKRONE | 31x300mm |
| - P-41844 | DIAMANT-BOHRKRONE | 36x300mm |
| - P-41850 | DIAMANT-BOHRKRONE | 41x400mm |
| - P-09905 | DIAMANT-BOHRKRONE | 46x400mm |
| - P-09911 | DIAMANT-BOHRKRONE | 51x400mm |
| - P-09927 | DIAMANT-BOHRKRONE | 56x400mm |
| - P-09933 | DIAMANT-BOHRKRONE | 61x400mm |
| - P-09949 | DIAMANT-BOHRKRONE | 71x400mm |
| - P-09955 | DIAMANT-BOHRKRONE | 81x400mm |
| - P-09961 | DIAMANT-BOHRKRONE | 91x400mm |
| - P-09977 | DIAMANT-BOHRKRONE | 101x400mm |
| - P-09983 | DIAMANT-BOHRKRONE | 111x400mm |
| - P-09999 | DIAMANT-BOHRKRONE | 121x400mm |
| - P-10001 | DIAMANT-BOHRKRONE | 131x400mm |
| - P-40076 | ADAPTER M18-M16 | |
| - P-41866 | ADAPTER M18-M30 | |
| - P-42151 | ADAPTER M18i - 1 1/4" a + R 1/2"i | |
| - P-40082 | BOHRSTAENDER | |
| - P-40098 | BEFESTIGUNGSSET | |
| - P-40107 | DUEBEL | |
| - P-40288 | EINSCHLAGDORN | |
| - P-40113 | FLUEGELMUTTER | |
| - P-40135 | GEWINDESTANGE | |
| - P-40129 | BEFESTIGUNGSSCHEIBE | |