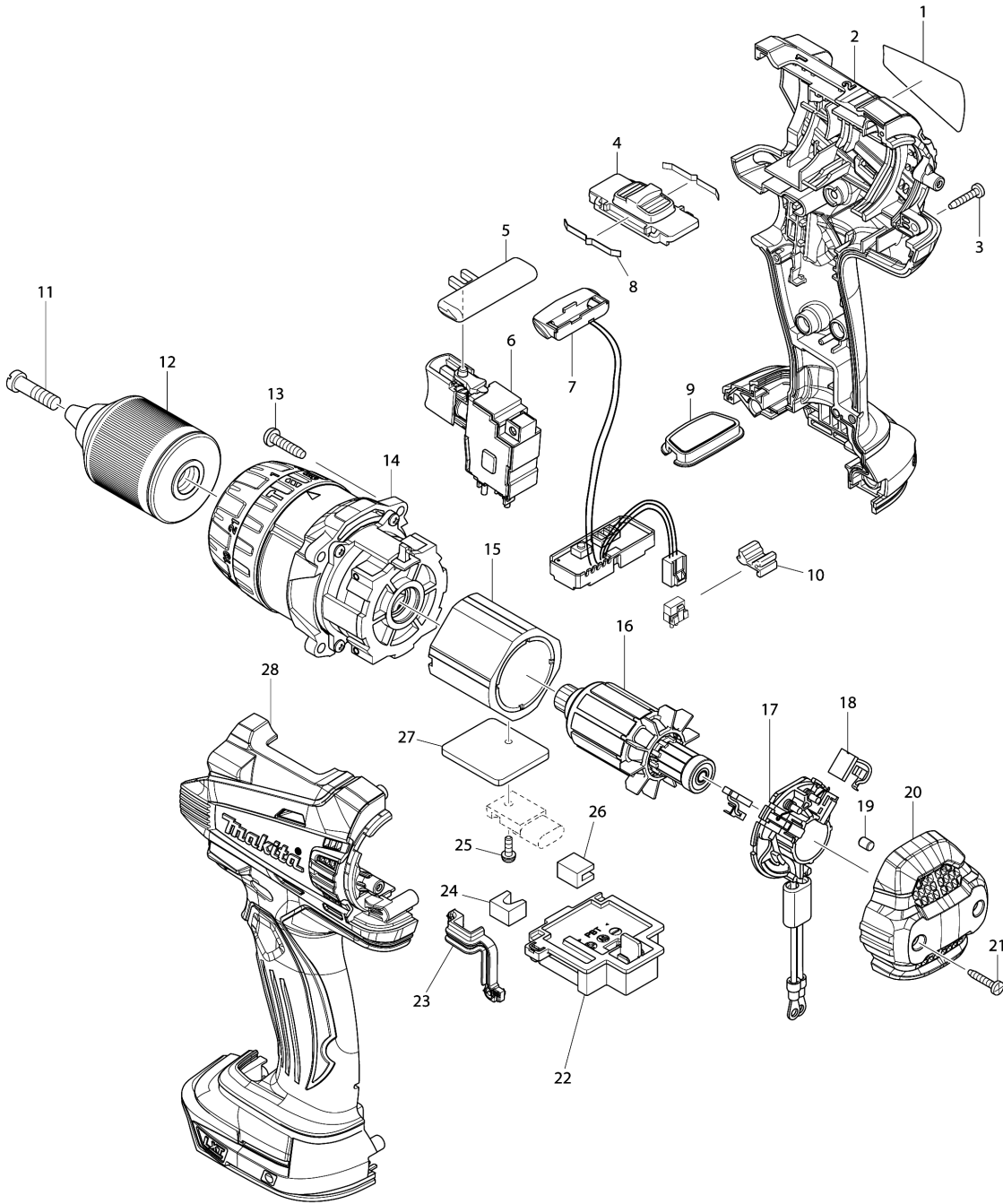


Model No.DHP458 CORDLESS HAMMER DRIVER DRILL





Model No.DHP458 CORDLESS HAMMER DRIVER DRILL

Item	Parts No.	Description	I/C	Qty	New/Old	Opt. 1	Opt. 2	Note
001	814Y76-9	DHP458 NAME PLATE		1				
002	187430-3	HOUSING SET		1				
C10	263005-3	RUBBER PIN 6		2				
C20	252126-6	HEX. LOCK NUT M4-7		2				
D10		INC. 28						
003	266130-9	TAPPING SCREW BIND PT 3X16		7				
004	126100-9	SPEED CHANGE LEVER ASSEMBLY		1				
C10	233438-6	COMPRESSION SPRING 4		2				
005	419250-0	F/R CHANGE LEVER		1				
006	650724-4	SWITCH TG573FSB-3		1				
007	620138-1	LIGHT CIRCUIT		1				
008	232220-0	LEAF SPRING		2				
009	140963-9	SWITCH PLATE COMPLETE		1				
010	424476-1	CUSHION		1				
011	251468-5	- FLAT HEAD SCREW M6X22		1				
012	766015-4	KEYLESS DRILL CHUCK 13		1	*			
012-1	763248-2	KEYLESS DRILL CHUCK 13	<	1				
013	265995-6	TAPPING SCREW 4X18		4	*			
013-1	266326-2	TAPPING SCREW 4X18	O	4				
014G	126099-8	GEAR ASSEMBLY		1	*			
014H	126099-8	GEAR ASSEMBLY		1	*			
014I	126099-8	GEAR ASSEMBLY		1	*			
014J	126099-8	GEAR ASSEMBLY		1	*			
014K	126099-8	GEAR ASSEMBLY		1	*			
014L	126099-8	GEAR ASSEMBLY		1	*			
014-1G	126448-9	GEAR ASSEMBLY	<	1				
014-1H	126448-9	GEAR ASSEMBLY	<	1				
014-1I	126448-9	GEAR ASSEMBLY	<	1				
014-1J	126448-9	GEAR ASSEMBLY	<	1				
014-1K	126448-9	GEAR ASSEMBLY	<	1				
014-1L	126448-9	GEAR ASSEMBLY	<	1				
014-1M	126448-9	GEAR ASSEMBLY		1				
015	638989-8	YOKE UNIT		1				
016	619301-1	ARMATURE		1	*			
016-1	619496-0	ARMATURE	<	1				
017	638991-1	BRUSH HOLDER COMPLETE		1	*			
C10	688172-7	LINE FILTER		1	*			
017-1	632K64-8	BRUSH HOLDER COMPLETE	<	1				
C10	688172-7	LINE FILTER		1				
018	194427-5	CARBON BRUSH SET CB-440		1				
019	263032-0	RUBBER PIN 4		2				

Model No.DHP458 CORDLESS HAMMER DRIVER DRILL

Item	Parts No.	Description	I/C	Qty	New/Old	Opt. 1	Opt. 2	Note
020	453394-6	REAR COVER		1				
021	266130-9	TAPPING SCREW BIND PT 3X16		2				
022	644808-8	TERMINAL		1				
023	424430-5	SEAL		1				
024	423422-1	SPONGE A		1				
025	911013-5	PAN HEAD SCREW M3X10		1				
026	423423-9	SPONGE B		1				
027	689176-2	HEAT SINK		1				
028	187430-3	HOUSING SET		1				
C10	263005-3	RUBBER PIN 6		2				
C20	252126-6	HEX. LOCK NUT M4-7		2				
D10		INC. 2						
A01	126131-8	GRIP ASSEMBLY		1	*			
C10	154935-8	GRIP 36 COMPLETE		1	*			
C20	266750-9	SQUARE BOLT M8X100		1	*			
C30	346566-9	GRIP SPRING 60		1	*			
C40	453584-1	GRIP BASE 60		1	*			
C50	265785-7	THUMB SCREW M5X10		1	*			
C60	931202-6	HEX. NUT M5		1	*			
A01-1	123257-7	GRIP ASSEMBLY	<	1				
C10	154935-8	GRIP 36 COMPLETE		1				
C20	266899-5	SQUARE BOLT M8X140		1				
C30	346566-9	GRIP SPRING 60		1				
C40	455189-3	GRIP BASE 60		1				
C50	265785-7	THUMB SCREW M5X10		1				
C60	931202-6	HEX. NUT M5		1				
A02	251314-2	+ SCREW M4X12		2				
A03	346317-0	HOOK		1				
A04	452947-8	BIT HOLDER		1				
A05	784637-8	+/- BIT 2-45		2				
A06	122576-8	STOPPER POLE ASS'Y		1				
A07G	***DC18RC	DC18RC FAST CHARGER		1				
A07I	***DC18RC	DC18RC FAST CHARGER		1				
A07J	821550-0	CONNECTOR PLASTIC CASE (TYPE2)		1				
C10	453974-8	LATCH		4				
A07K	***DC18RC	DC18RC FAST CHARGER		1				
A07L	***DC18RC	DC18RC FAST CHARGER		1				
A07M	***DC18RC	DC18RC FAST CHARGER		1				
A08G	194204-5	BATTERY BL1830 SET		2	*			
A08I	194204-5	BATTERY BL1830 SET		2	*			
A08J	837679-2	INNER TRAY		1	*			

Model No.DHP458 CORDLESS HAMMER DRIVER DRILL

Item	Parts No.	Description	I/C	Qty	New/Old	Opt. 1	Opt. 2	Note
A08K	196399-0	BATTERY BL1840 SET		2	*			
A08L	196399-0	BATTERY BL1840 SET		2	*			
A08M	194204-5	BATTERY BL1830 SET		3	*			
A08-1G	194204-5	BATTERY BL1830 SET	O	2	*			
A08-1I	194204-5	BATTERY BL1830 SET	O	2	*			
A08-1J	837916-4	INNER TRAY	<	1				
A08-1K	196399-0	BATTERY BL1840 SET	O	2	*			
A08-1L	196399-0	BATTERY BL1840 SET	O	2	*			
A08-1M	194204-5	BATTERY BL1830 SET	O	3	*			
A08-2G	197600-6	BATTERY BL1830B SET	<	2	*			
A08-2I	197600-6	BATTERY BL1830B SET	<	2	*			
A08-2K	197265-4	BATTERY BL1840B SET	<	2	*			
A08-2L	197265-4	BATTERY BL1840B SET	<	2	*			
A08-2M	197600-6	BATTERY BL1830B SET	<	3	*			
A08-3G	197600-6	BATTERY BL1830B SET	O	2				
A08-3I	197600-6	BATTERY BL1830B SET	O	2				
A08-3K	197265-4	BATTERY BL1840B SET	O	2				
A08-3L	197265-4	BATTERY BL1840B SET	O	2				
A08-3M	197600-6	BATTERY BL1830B SET	O	3				
A09G	450128-8	BATTERY COVER		1				
A09I	450128-8	BATTERY COVER		1				
A09J	802J35-5	DHP458ZJ INDICATION LABEL		1				
A09K	450128-8	BATTERY COVER		1				
A09L	450128-8	BATTERY COVER		1				
A09M	450128-8	BATTERY COVER		2				
A10G	821524-1	PLASTIC CARRYING CASE		1				
C10	162302-3	LATCH		2				
C20	325809-2	SHAFT		1				
C30	451749-9	HANDLE		1				
C40	453473-0	PLASTIC CASE LID		1				
A10I	821550-0	CONNECTOR PLASTIC CASE (TYPE2)		1				
C10	453974-8	LATCH		4				
A10J	802J36-3	DHP458ZJ PLASTIC CASE LABEL		2				
A10K	821524-1	PLASTIC CARRYING CASE		1				
C10	162302-3	LATCH		2				
C20	325809-2	SHAFT		1				
C30	451749-9	HANDLE		1				
C40	453473-0	PLASTIC CASE LID		1				
A10L	821550-0	CONNECTOR PLASTIC CASE (TYPE2)		1				
C10	453974-8	LATCH		4				

Model No.DHP458 CORDLESS HAMMER DRIVER DRILL

Item	Parts No.	Description	I/C	Qty	New/Old	Opt. 1	Opt. 2	Note
A10M	821550-0	CONNECTOR PLASTIC CASE (TYPE2)		1				
C10	453974-8	LATCH		4				
A11G	802J57-5	DHP458RFE PLASTIC CASE LABEL		2	*			
A11I	837679-2	INNER TRAY		1	*			
A11K	802J42-8	DHP458RME PLASTIC CASE LABEL		2	*			
A11L	837679-2	INNER TRAY		1	*			
A11M	837679-2	INNER TRAY		1	*			
A11-1G	802J59-1	DHP458RFE PLASTIC CASE LABEL	<	2				
A11-1I	837916-4	INNER TRAY	<	1				
A11-1K	802J41-0	DHP458RME PLASTIC CASE LABEL	<	2				
A11-1L	837916-4	INNER TRAY	<	1				
A11-1M	837916-4	INNER TRAY	<	1				
A12I	802J33-9	DHP458RFJ INDICATION LABEL		1				
A12L	802J44-4	DHP458RMJ INDICATION LABEL		1	*			
A12M	802J48-6	DHP458RF3J INDICATION LABEL		1				
A12-1L	806W42-8	DHP458RMJ INDICATION LABEL	<	1				
A13I	802J34-7	DHP458RFJ PLASTIC CASE LABEL		2				
A13L	802J45-2	DHP458RMJ PLASTIC CASE LABEL		2				
A13M	802J49-4	DHP458RF3J PLASTIC CASE LABEL		2				

Please order the parts with part number.

Print Date 26/3/2020